



Date: _____ Type: _____

Firm Name: _____

Project: _____

ColorReach Powercore gen2

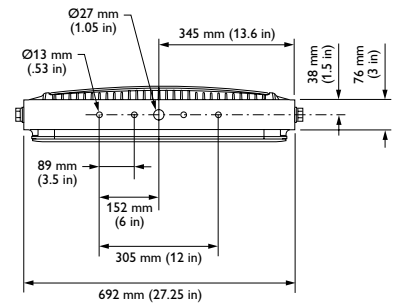
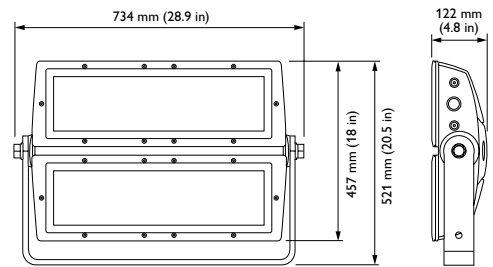
5 x 17° spread lens, UL / CE

Premium long-throw exterior LED floodlight with intelligent color light

ColorReach Powercore gen2 combines all the benefits of LED-based lighting and control in an elegant fixture specifically designed for large-scale installations, such as skyscrapers, casinos, bridges, piers, public monuments, and themed attractions. With levels of light output and projection never before achieved in an LED lighting fixture, ColorReach Powercore gen2 affords entirely new possibilities in exterior illumination.

- Integrates Powercore technology — Powercore technology rapidly, efficiently, and accurately controls power output to fixtures directly from line voltage. Philips Data Enabler Pro merges line voltage and control data and delivers them to fixtures over a single standard cable, dramatically simplifying installation and lowering total system cost.
- Versatile optics — A native 5° beam angle and exchangeable spread lenses of 8°, 13°, 23°, 40°, 63°, and an asymmetric 5° x 17° support a variety of photometric distributions for a multitude of applications, including spotlighting, wall grazing, and asymmetric wall washing. Bezel and gasket are included with spread lenses for easy user installation.
- Unique split design supports diffuser combinations — Each half of the fixture is individually addressable and controllable. For instance, you could use one spread lens on the fixture's lower half to bathe a large façade with color at street level, and a different spread lens to project a contrasting or complementary color hundreds of feet up the building's walls.
- Saturated, cost-effective color — High-performance LEDs offer rich, saturated color at significantly less cost for installation, operation, and maintenance than traditional light sources.
- Simple fixture positioning — Rugged, slim-profile mounting bracket allows simple positioning and fixture rotation through a full 360°. Side locking bolts reliably secure fixture with a standard wrench.

- Universal power input range — Fixtures accept a universal power input range of 100 – 277 VAC, allowing consistent installation in any location around the world.



- Industry-leading controls — Fixtures work seamlessly with the complete Philips Color Kinetics line of controllers, including Light System Manager, iPlayer 3, and ColorDial Pro, as well as third-party controllers.

For detailed product information, please refer to the ColorReach Powercore gen2 Product Guide at www.philipscolorkinetics.com/ls/rgb/colorreach/



Specifications

Due to continuous improvements and innovations, specifications may change without notice.

| Item | Specification | Details |
|--------------------------|--|--|
| Output | Lumens* | 4084 |
| | LED Channels | Red / Green / Blue |
| | Mixing Distance | 50 ft (15.2 m) to uniform light |
| | Lumen Maintenance† | 100,000 hours L70 @ 25° C 100,000 hours L70 @ 50° C |
| Electrical | Input Voltage | 100 – 277 VAC, auto-switching, 50 / 60 Hz |
| | Power Consumption | 270 W maximum at full output, steady state |
| Control | Interface | Data Enabler Pro (DMX / Ethernet) |
| | Control System | Philips Color Kinetics full range of controllers, including Light System Manager, iPlayer 3, and ColorDial Pro, or third-party controllers |
| Physical | Dimensions (Height x Width x Depth) | 20.5 x 28.9 x 4.8 in (521 x 734 x 122 mm) |
| | Weight | 75 lb (34 kg) |
| | Effective Projected Area (EPA) | 0.42 m ² |
| | Housing | Die-cast aluminium, powder-coated finish |
| | Lens | Tempered glass |
| | Fixture Connections | Integral male / female waterproof connector, 6 ft (1.8 m) unified power / data cable |
| | Temperature Ranges | -40° – 122° F (-40° – 50° C) Operating -4° – 122° F (-20° – 50° C) Startup -40° – 176° F (-40° – 80° C) Storage |
| | Humidity | 0 – 95%, non-condensing |
| Certification and Safety | Certification | UL / cUL, FCC Class A, CE, PSE |
| | Environment | Dry / Damp / Wet Location, IP66 |

* Lumen measurement complies with IES LM-79-08 testing procedures

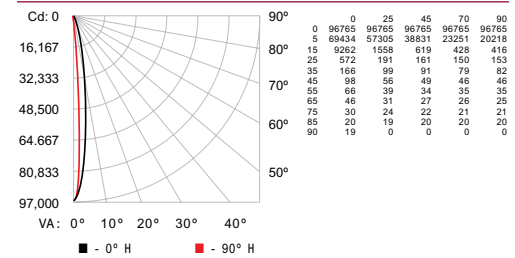
† L70 = 70% lumen maintenance (when light output drops below 70% of initial output). Ambient luminaire temperatures specified. Lumen maintenance calculations are based on lifetime prediction graphs supplied by LED source manufacturers. Calculations for white-light LED fixtures are based on measurements that comply with IES LM-80-08 testing procedures. Refer to www.philipscolorkinetics.com/support/appnotes/lm-80-08.pdf for more information.



Photometrics

63° spread lens

Polar Candela Distribution



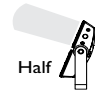
Illuminance at Distance

| | Center Beam fc | Beam Width |
|-------|----------------|---------------|
| 4 ft | 6,048 fc | 1.2 ft 0.4 ft |
| 8 ft | 1,512 fc | 2.3 ft 0.9 ft |
| 12 ft | 672 fc | 3.5 ft 1.3 ft |
| 16 ft | 378 fc | 4.6 ft 1.8 ft |
| 20 ft | 242 fc | 5.8 ft 2.2 ft |
| 24 ft | 168 fc | 7.0 ft 2.6 ft |

311 ft (94.7 m) ■ Vert. Spread: 16.5°
1 fc maximum distance ■ Horiz. Spread: 6.3°

| LED | Lumens | Efficacy |
|-----|--------|----------|
| RGB | 4084 | 32.1 |

For lux multiply fc by 10.7



Fixtures and Accessories

| Item | Type | Item Number | Philips 12NC |
|--|---------|---------------|--------------|
| ColorReach Powercore Includes 3.0 m (10 ft) leader cable | UL / CE | 123-000153-00 | 912400130182 |

| Item | Type | Item Number | Philips 12NC |
|--------------------------|-----------------------|----------------|----------------------------|
| Replacement Leader Cable | UL | 3.0 m (10 ft) | 108-000055-03 910503704066 |
| | | 15.2 m (50 ft) | 108-000055-00 910503703137 |
| | CE | 3.0 m (10 ft) | 108-000055-04 910503704067 |
| | | 15.2 m (50 ft) | 108-000055-01 910503704064 |
| Spread Lens with bezel | 13° | 120-000068-00 | 910503700506 |
| | 23° | 120-000068-01 | 910503700507 |
| | 40° | 120-000068-02 | 910503700508 |
| | 63° | 120-000068-03 | 910503700509 |
| | Asymmetric (5° x 17°) | 120-000068-04 | 910503700510 |
| | 8° | 120-000068-05 | 910503700511 |

Use Item Number when ordering in North America.



Philips Color Kinetics
3 Burlington Woods Drive
Burlington, Massachusetts 01803 USA
Tel 888.385.5742
Tel 617.423.9999
Fax 617.423.9998
www.philipscolorkinetics.com

Copyright © 2014 Philips Solid-State Lighting Solutions, Inc. All rights reserved.
Chromacore, Chromasic, CK, the CK logo, Color Kinetics, the Color Kinetics logo, ColorBlast, ColorBlaze, ColorBurst, eVW Fuse, ColorGraze, ColorPlay, ColorReach, iW Reach, eW Reach, DIMand, EssentialWhite, eVW, iColor, iColor Cove, IntelliWhite, iW, iPlayer, Optibin, and Powercore are either registered trademarks or trademarks of Philips Solid-State Lighting Solutions, Inc. in the United States and / or other countries. All other brand or product names are trademarks or registered trademarks of their respective owners. Due to continuous improvements and innovations, specifications may change without notice. DAS-000133-07 R01 8-14