



Date: \_\_\_\_\_ Type: \_\_\_\_\_

Firm Name: \_\_\_\_\_

Project: \_\_\_\_\_

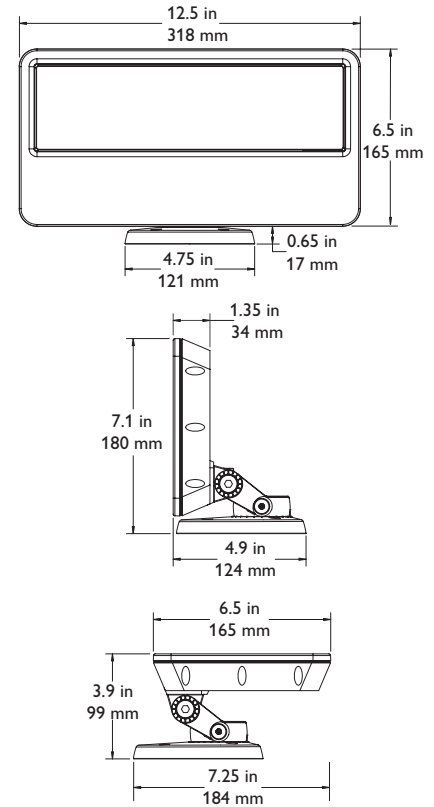
# ColorBlast Powercore

## 86° (no optic)

The world's leading exterior LED wash fixture with intelligent color light

ColorBlast Powercore high-performance LED fixtures combine rich, saturated, wall-washing color and color-changing effects with simplified installation. ColorBlast Powercore offers a range of beam angles for wall washing, grazing, floodlighting, and spotlighting, along with the efficiency and cost-effectiveness of Powercore technology in a rugged die-cast aluminum housing.

- Superior light output — Produces saturated, full-color light output of up to 1471 lumens with light projection of up to 204 feet. Fixtures are available in four beam angles: 23° and 36° for soft edges, 86° with no optic for uniformly washing façades, and a 10° beam for extended light projection.
- Integrates patented Powercore technology — Powercore rapidly, efficiently, and accurately controls power output to fixtures directly from line voltage. The Philips Color Kinetics Data Enabler Pro merges line voltage with control data and delivers them to fixtures over a single standard cable, dramatically simplifying installation and lowering total system cost.
- Versatile light positioning — Locking canopy base offers friction-free rotation of up to 350°, and 110° fixture tilting lets you quickly aim the fixture without special tools.
- Easy installation — By providing line voltage directly to fixtures, Powercore eliminates the need for external power supplies and special wiring. Fixtures can be mounted to a junction box on a wall, ceiling, or floor.
- Universal power input range — ColorBlast Powercore accepts power input of 100 – 240 VAC, allowing the installation of many fixtures in a continuous run.
- Industry-leading controls — ColorBlast Powercore works seamlessly with the complete Philips Color Kinetics line of controllers, including ColorDial Pro, iPlayer 3, and Light System Manager, as well as third-party controllers.



- Efficient and cost-effective — Replacing metal halide fixtures with ColorBlast Powercore fixtures can dramatically reduce electricity and maintenance costs while delivering superior consistency and uniformity of light and color.
- Outdoor rated — Fully sealed for maximum fixture life and IP66 rated for outdoor applications, ColorBlast Powercore meets or exceeds specifications for use in wet locations. Rugged, die-cast aluminum housing is available in white or black powder-coated finish.

For detailed product information, please refer to ColorBlast Powercore Product Guide at [www.philipscolorkinetics.com/ls/rgb/colorblast12pc/](http://www.philipscolorkinetics.com/ls/rgb/colorblast12pc/)

# PHILIPS

## Specifications

Due to continuous improvements and innovations, specifications may change without notice

Item	Specification	Details
	Lumens*	1471
	LED Channels	Red / Green / Blue
	Mixing Distance	6 in (152 mm) to uniform light
	Lumen Maintenance†	50,000+ hours L50 @ 50° C (full output)
Electrical	Input Voltage	100 – 240 VAC, auto-switching, 50 / 60 Hz via Data Enabler Pro
	Power Consumption	50 W maximum at full output, steady state
	Power Factor	.98 @ 120 VAC
Control	Interface	Data Enabler Pro (DMX / Ethernet)
	Control System	Philips full range of controllers, including Light System Manager, iPlayer 3, and ColorDial Pro, or third-party controllers
Physical	Dimensions (Height x Width x Depth)	7.1 x 12.5 x 4.9 in (172 x 317 x 125 mm)
	Weight	6.4 lb (2.9 kg)
	Effective Projected Area	0.05211 m <sup>2</sup>
	Housing	Die-cast aluminium, powder-coated finish
	Lens	No optic
	Fixture Connections	6 ft (1.8 m) unified power / data cable
	Temperature Ranges	-40° – 122° F (-40° – 50° C) Operating -4° – 122° F (-20° – 50° C) Startup -40° – 176° F (-40° – 80° C) Storage
	Humidity	0 – 95%, non-condensing
Certification and Safety	Certification	UL / cUL, FCC Class A, CE, PSE
	Environment	Dry / Damp / Wet Location, IP66

\* Lumen measurement complies with IES LM-79-08.

† L50 = 50% lumen maintenance (when light output drops below 50% of initial output). Ambient luminaire temperatures specified. Lumen maintenance calculations are based on lifetime prediction graphs supplied by LED source manufacturers. Calculations for white-light LED fixtures are based on measurements that comply with IES LM-80-08 testing procedures. Refer to [www.philipscolorkinetics.com/support/appnotes/](http://www.philipscolorkinetics.com/support/appnotes/) for more information.



CHROMACORE<sup>®</sup> CK TECHNOLOGY | OPTIBIN<sup>®</sup> CK TECHNOLOGY | POWERCORE<sup>®</sup> CK TECHNOLOGY

## Data Enabler Pro

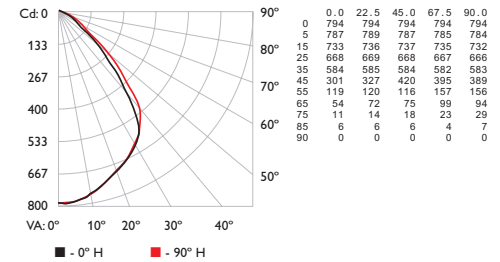
Item	Type	Item Number	Philips 12NC
Data Enabler Pro	3/4 in / 1/2 in NPT (US trade size conduit)	106-000004-00	910503701210
	PG21 / PG13 (metric size conduit)	106-000004-01	910503701211

Use Item Number when ordering in North America.

## Photometrics

86° (no optic)

### Polar Candela Distribution



### Illuminance at Distance

	Center Beam fc	Beam Width
4 ft	50 ft	7.1 ft <b>7.9 ft</b>
8 ft	13 ft	14.2 ft <b>15.8 ft</b>
12 ft	6 ft	21.3 ft <b>23.7 ft</b>
16 ft	3 ft	28.3 ft <b>31.6 ft</b>
20 ft	2 ft	35.4 ft <b>39.5 ft</b>
24 ft	1 ft	42.5 ft <b>47.4 ft</b>

28.2 ft (8.6 m) 1 fc maximum distance  
 Vert. Spread: 83.1°  
 Horiz. Spread: 89.3°

LED	Lumens	Efficacy
RGB	1471	29.0

For lux multiply fc by 10.7

Refer to the *ColorBlast Powercore Product Guide* for information on available accessories, including top hats, half top hats, egg crate louvers, barndoors, and spread lenses.

## Fixtures

Item	Type	Housing	Item Number	Philips 12NC
ColorBlast Powercore UL / cUL CE / PSE	10°	White	123-000021-00	910503702321
		Black	123-000021-01	910503702350
	23°	White	123-000021-02	910503702334
		Black	123-000021-03	910503702351
	36°	White	123-000021-04	910503702352
		Black	123-000021-05	910503702353
86°	White	123-000021-06	910503702354	
	Black	123-000021-07	910503702355	
ColorBlast Powercore CQC	10°	White	123-000021-08	910503702434
		Black	123-000021-09	910503702435
	23°	White	123-000021-10	910503702436
		Black	123-000021-11	910503702437
	36°	White	123-000021-12	910503702827
		Black	123-000021-13	910503702828
	86°	White	123-000021-14	910503702829
		Black	123-000021-15	910503702830

Use Item Number when ordering in North America.



Philips Color Kinetics  
 3 Burlington Woods Drive  
 Burlington, Massachusetts 01803 USA  
 Tel 888.385.5742  
 Tel 617.423.9999  
 Fax 617.423.9998  
[www.philipscolorkinetics.com](http://www.philipscolorkinetics.com)

Copyright © 2011- 2012 Philips Solid-State Lighting Solutions, Inc. All rights reserved. Chromacore, Chromasic, CK, the CK logo, Color Kinetics, the Color Kinetics logo, ColorBlast, ColorBlaze, ColorBurst, ColorGraze, ColorPlay, ColorReach, iW Reach, eW Reach, eW Fuse, DIMand, EssentialWhite, eW, iColor, iColor Cove, IntelliWhite, iW, iPlayer, Optibin, and Powercore are either registered trademarks or trademarks of Philips Solid-State Lighting Solutions, Inc. in the United States and / or other countries. All other brand or product names are trademarks or registered trademarks of their respective owners. Due to continuous improvements and innovations, specifications may change without notice. DAS-000008-05 R02 07-12