



Date: _____ Type: _____

Firm Name: _____

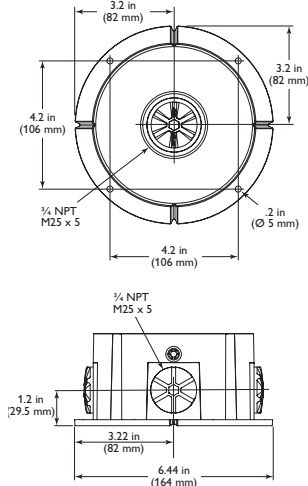
Project: _____

ArchiPoint

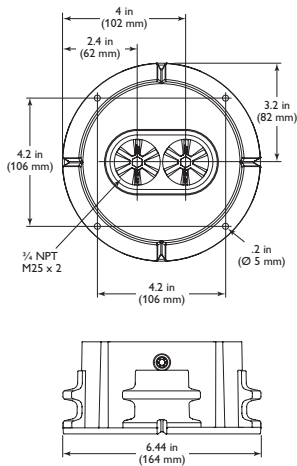
iColor Powercore Clear Flat Lens

Exterior daylight-visible LED point with intelligent color light

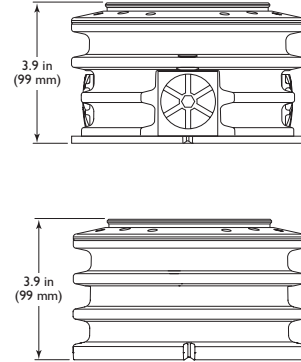
Conduit Mounting Base



Concealed Conduit Mounting Base



ArchiPoint iColor Powercore is a daylight-visible, exterior-rated LED point of light ideally suited for a range of direct-view and beacon applications, as well as for accent applications such as path and marker lighting. These versatile low-profile fixtures display large-scale video, graphics, and intricately designed effects in a host of settings, including architectural, retail, and entertainment installations. ArchiPoint iColor Powercore offers high-intensity output with the efficiency and cost-effectiveness of Powercore technology in a rugged, aluminum housing.



- Daylight visible — Outputs up to 25,150 nits of intelligent color light in a weatherproof, low-profile housing, perfect for large-scale video, dynamic effects, and other direct-view applications. Easily visible in brightly lit urban environments and daylight — even in direct sunlight.
- Direct view or illumination — Supports large-scale video for architectural, media façade, and advertising applications for viewing day or night. Indirect illumination delivers high levels of intensity for beacon, paths and marker lighting.
- Multiple mounting base options — Conduit Mounting Base offers side and back openings for flexible connections in surface-mounted installations. Concealed Conduit Mounting Base hides all conduit and wiring behind the mounting surface for a clean look.
- Superior color consistency and accuracy — Optibin, an advanced binning algorithm, sets a new standard for the color consistency and uniformity of LED sources used in manufacturing.
- Flexible installation options — Low-profile fixtures allow for installation in spaces too tight for conventional spotlights. Multiple mounting base options offer flexibility in a wide range of installation types and situations.

- Integrates Powercore technology — Powercore delivers line voltage and data to fixtures over a single cable, dramatically simplifying installation and lowering total system cost. Philips Color Kinetics Data Enabler Pro merges line voltage and control data and delivers them to the fixture over a single cable, dramatically simplifying installation and lowering total system cost.
- Universal power input range — Accepts a universal power input range of 100 – 240 VAC for consistent installation anywhere in the world. Each Data Enabler Pro can support multiple fixtures for creating long runs of intricately changing color.
- Industry-leading controls — Works seamlessly with the complete Philips line of controllers, including Video System Manager Pro, Light System Manager, and iPlayer 3, as well as third-party controllers.
- Outdoor rated — Fully sealed for maximum fixture life and IP66-rated for outdoor applications.



For detailed product information, please refer to ArchiPoint iColor Powercore Product Guide at www.philipscolorkinetics.com/ls/rgb/archipoint/



Specifications

Due to continuous improvements and innovations, specifications may change without notice

Item	Specification	Clear Flat Lens
Output	Viewing Angle	125°
	Luminance in Nits	25,150 cd / m ²
	Lumens*	774
	Lumen Maintenance†	70,000 hours L70 @ 25° C 40,000 hours L70 @ 50° C 100,000 hours L50 @ 25° C 70,000 hours L50 @ 50° C
	LED Channels	Red / Green / Blue
Electrical	Input Voltage	100 – 240 VAC, auto-switching, 50 / 60 Hz
	Power Consumption	25 W maximum at full output, steady state
	Power Factor	.93 @ 120 VAC
	Max. Wiring Volume	22.0 cu in
Control	Interface	Data Enabler Pro (DMX / Ethernet)
	Control System	Philips full range of controllers, including Video System Manager Pro, Light System Manager, and iPlayer 3, or third-party controllers
Physical	Fixture Dimensions (Height x Width x Depth)	3.9 x 6.4 x 6.4 in (76 x 164 x 164 mm)
	Weight	3.2 lb (1.5 kg) Flat lens fixture 1.7 lb (.78 kg) Conduit Mounting Base 2.2 lb (.98 kg) Concealed Conduit Mounting Base
	Housing	Die-cast aluminum with silver gray powder-coated finish
	Lens	Clear polycarbonates)
	Fixture Connections	7 in (178 mm) flying leads
	Temperature Ranges	-40° – 122° F (-40° – 50° C) Operating -4° – 122° F (-20° – 50° C) Startup -40° – 176° F (-40° – 80° C) Storage
	Fixture Run Lengths	To calculate fixture run lengths and total power consumption for your specific installation, download the Configuration Calculator from www.philipscolorkinetics.com/support/install_tool/
	Humidity	0 – 95%, non-condensing
Certification and Safety	Certification	UL / cUL, FCC Class A, CE
	Environment	Dry / Damp / Wet Location, IP66

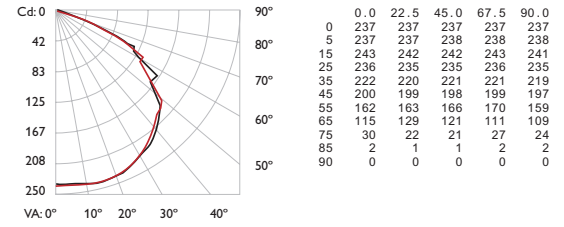
* Lumen measurement complies with IES LM-79-08 testing procedures.  

† L70 = 70% lumen maintenance (when light output drops below 70% of initial output).
L50 = 50% lumen maintenance (when light output drops below 50% of initial output). Ambient luminaire temperatures specified. Lumen maintenance calculations are based on lifetime prediction graphs supplied by LED source manufacturers. Calculations for white-light LED fixtures are based on measurements that comply with IES LM-80-08 testing procedures. Refer to www.philipscolorkinetics.com/support/appnotes/lm-80-08.pdf for more information.

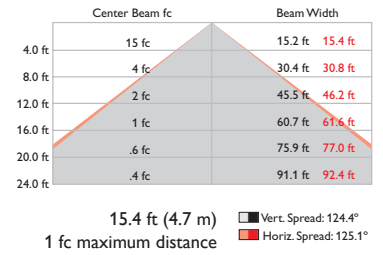
Photometrics

Clear flat lens

Polar Candela Distribution



Illuminance at Distance



For lux multiply fc by 10.7

LED	Lumens	Efficacy
RGB	774	27.4

Fixtures and Mounting Bases

Item	Type	Item Number	Philips 12NC
ArchiPoint iColor Powercore 100 – 240 VAC	Translucent dome Lens	123-000022-00	910503702579
	Clear flat lens	123-000022-01	910503702580
Conduit Mounting Base	3/4 in NPT (U.S. trade size conduit)	123-000152-00	910503702574
	M25 (metric size conduit)	123-000152-01	910503702575
Concealed Conduit Mounting Base	3/4 in NPT (U.S. trade size conduit)	123-000152-02	910503702576
	M25 (metric size conduit)	123-000152-03	910503702577

Use Item Number when ordering in North America.

Glare Shield and Data Enabler Pro

Item	Type	Item Number	Philips 12NC
Glare Shield		120-000153-00	910503702674
Data Enabler Pro	3/4 in / 1/2 in NPT (U.S. trade size conduit)	106-000004-00	910503701210
	PG21 / PG13 (metric size conduit)	106-000004-01	910503701211

Use Item Number when ordering in North America.



Philips Color Kinetics
3 Burlington Woods Drive
Burlington, Massachusetts 01803 USA
Tel 888.385.5742
Tel 617.423.9999
Fax 617.423.9998
www.philipscolorkinetics.com

Copyright © 2012 Philips Solid-State Lighting Solutions, Inc. All rights reserved. Chromacore, Chromasic, CK, the CK logo, Color Kinetics, the Color Kinetics logo, ColorBlast, ColorBlaze, ColorBurst, ColorGraze, ColorPlay, ColorReach, iW Reach, eW Reach, eW Fuse, DIMand, EssentialWhite, eW, iColor, iColor Cove, IntelliWhite, iW, iPlayer, Optibin, and Powercore are either registered trademarks or trademarks of Philips Solid-State Lighting Solutions, Inc. in the United States and / or other countries. All other brand or product names are trademarks or registered trademarks of their respective owners. Due to continuous improvements and innovations, specifications may change without notice. DAS-000102-02 R01 04-14