

Single-Channel DALI Relay Unit (492)

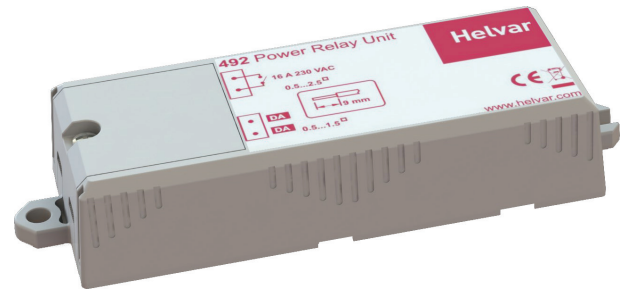
The 492 is a single-channel relay unit designed to allow control of non-DALI, nondimmable loads.

The relay is a latching, volt-free contact, high-inrush type, with a contact rating of 16 A.

The unit is packaged within a plastic enclosure that can be installed within a luminaire or an electrical cabinet, or used as an in-line unit. This compact enclosure has mounting lugs at each end, and cable grips are an integral part of the terminal cover.

The unit, which is powered from the DALI network, forms a DALI relay node with a typical current consumption of 2 mA. It can be programmed as a single-channel relay with Helvar's lighting design software, Designer and Toolbox.

Note: This unit does not contain a DALI power supply. Therefore, one must be present elsewhere in the system.



Key Features

- 16 A high-current relay
- High-inrush specification relay
- Compact size for luminaire, electrical panel or in-line mounting
- Secure wire connection cover

Technical Data

Connections

DALI consumption:	2 mA
DALI:	0.5 mm ² – 1.5 mm ² solid or stranded Strip length: 8.5 mm – 9.5 mm
Relay:	0.5 mm ² – 1.5 mm ² stranded 0.5 mm ² – 2.5 mm ² solid core Strip length: 8.5 mm – 9.5 mm

Relay

Relay contacts:	High-inrush, single-pole, single-throw (SPST) latching relay
Isolation:	4 kV
Maximum load:	16 A
Number of devices:	Quantity is limited by MCB: refer to the manufacturer's data.

Mechanical data

Housing:	White plastic (polycarbonate)
Weight:	52 g
IP code:	IP30

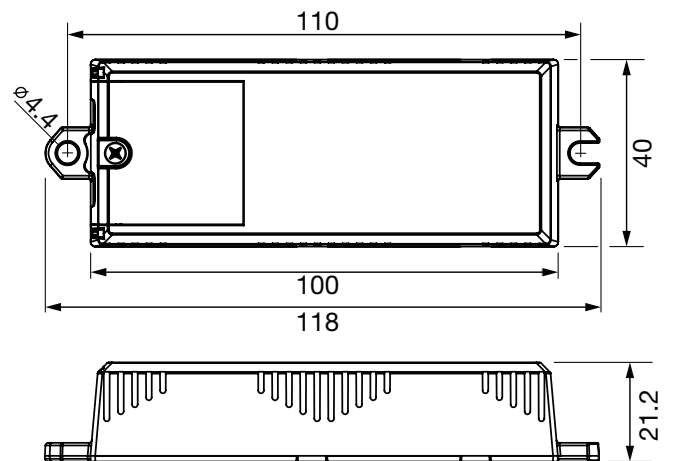
Operating and storage conditions

Ambient temp:	0 °C to 40 °C
Storage temp:	-10 °C to 70 °C
Relative humidity:	Max. 90 %, noncondensing

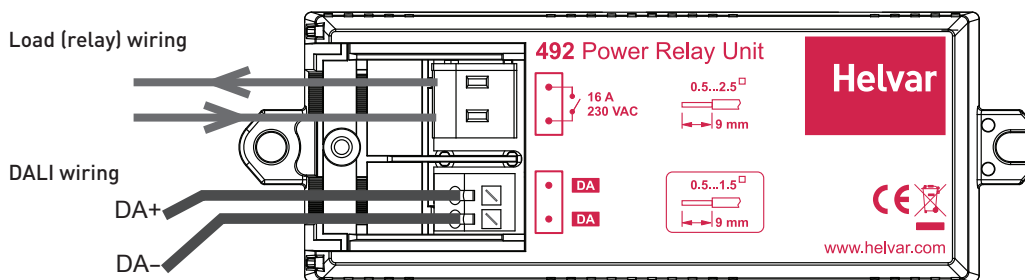
Conformity and standards

DALI	IEC 62386-101:2009 IEC 62386-102:2009 IEC 62386-208:2009
Emission:	EN 55015
Immunity:	EN 61547
Safety:	EN 60950
Environment:	Complies with WEEE and RoHS directives.

Dimensions (mm)



Connections



Note:

The DA+ and DA- wires can go in either of the DALI connectors.