

## DIGIDIM Infrared Remote Control (303)

The DIGIDIM Infrared Remote Control is a fully DIGIDIM compatible unit for use in either controlling or configuring a DIGIDIM lighting control system. All DIGIDIM control panels and multisensor units are fitted with an IR receiver that allows them to be used in conjunction with the remote control unit.

The remote control is a hand-held unit and is fitted with seven buttons that can be used to control basic system functions such as on/off, raising and lowering the general light level and the selection of four scenes.

The seven buttons can also be used in various combinations to provide basic programming functions. This includes creating and adding to groups and setting preset levels or scenes.



### Key Features

- Controls basic system functions
- Excellent programming tool for simple lighting systems (DIGIDIM Toolbox is used for advanced programming)
- Up to four lighting groups may be programmed
- Can be used for setting fade time during scene changes

### Additional Features

- Remote controls may be individually addressed permitting the use of multiple remotes and receivers within one area, without cross interference. (Receivers must be programmed using DIGIDIM Toolbox software.)
- Can control up to four lighting groups; on/off/up/down

### Installation Notes

- The two supplied AAA batteries must be installed before using the remote control

## Technical Data

### Connections

No external physical connections are necessary

### Power

Power supply: 2 × IEC, LR03/AAA 1.5 V Battery

### Range

Operating range: Approximately 5 m: with  
± 22.5° angle to panels with  
± 63° angle to multisensors

### Operation

IR frequency: 36 kHz

### Mechanical data

Dimensions: 57 mm × 28 mm × 119 mm

Housing: Matt dark grey, nonflammable polycarbonate, halogen free

Weight: 50 g

### Operating conditions

Ambient temperature: 0 °C to +40 °C

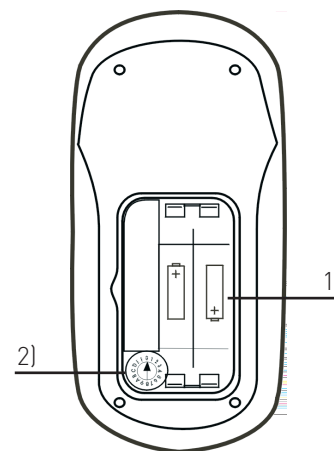
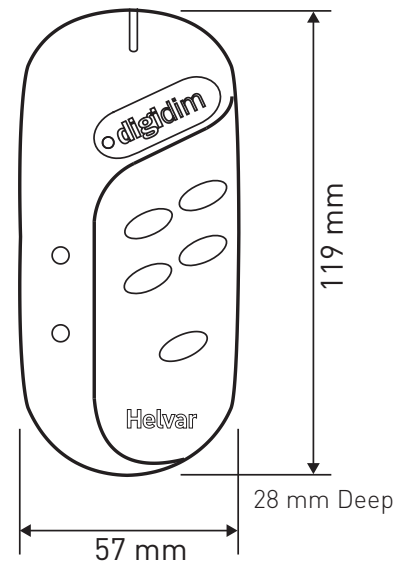
Relative humidity: Max. 90 %, noncondensing

Storage temperature: -10 °C to +70 °C

### Conformity and standards

Environment: Complies with WEEE and RoHS directives

### Dimensions



### NOTE

1. Insert batteries observing polarity as indicated on the interior of the battery compartment.
2. Sixteen position rotary switch, default setting position '0'.