

TK4 Slider Controller (140)

The TK4 is an electronic slider controller for electronic ballasts that use 1–10 V and comply with EN 60929. It is styled to complement the Helvar Digidim panel range, and it offers the flexibility of the modular concept, permitting any mix of TK4 and Digidim control panels.

The TK4 is available in the following standard finishes:

- Satin white plastic
- Lacquered polished brass
- Satin stainless steel
- Stainless Steel / Grey Insert

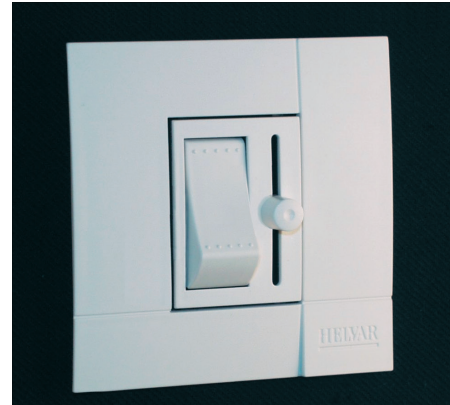
Key Features

- Suitable for controlling up to 50 × 1–10 V ballasts
- Switches up to 20 Helvar HFC/CHFC/sc ballasts. (Use a contactor for over 20 ballasts)
- Simple to install in standard UK and DIN back boxes
- Double-gang version can take up to 3 independent TK4 modules

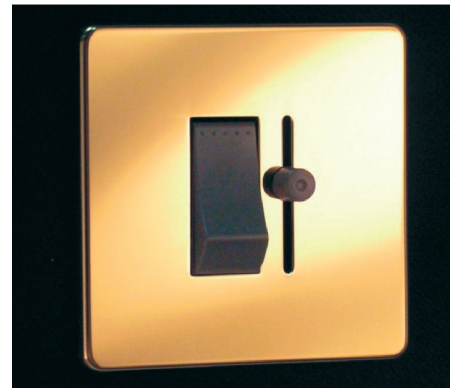
Product Order Codes

- 140 200 Satin White Plastic Single Gang
- 140 201 Lacquered Polished Brass
- 140 202 Satin Stainless Steel
- 140 203 Stainless Steel & Grey Insert

For double-gang panel variants, please consult our sales office.



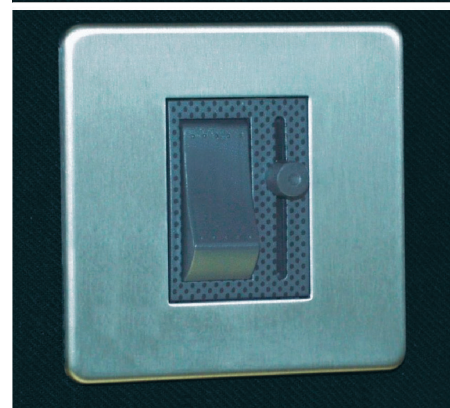
140 200



140 201



140 202



140 203

Technical Data

Connections

1–10 V Control: 2 wire 0.5 mm² – 1.5 mm² stranded or solid

Mains: 2 wire 1.0 mm² – 2.5 mm² stranded or solid

Power

Switch rating: 10 A (resistive) VAC

Switch load capacity: Up to 20 Helvar HFC/CHFC/sc ballasts

Operating conditions

Ambient temperature: 0 °C to +35 °C

Relative humidity: Max. 90 %, noncondensing

Storage temperature: –10 °C to +70 °C

Mechanical data

Dimensions: 48.40 mm × 35.40 mm × 31.80 mm

IP code: IP30

Conformity and standards

EMC emission: EN 55015

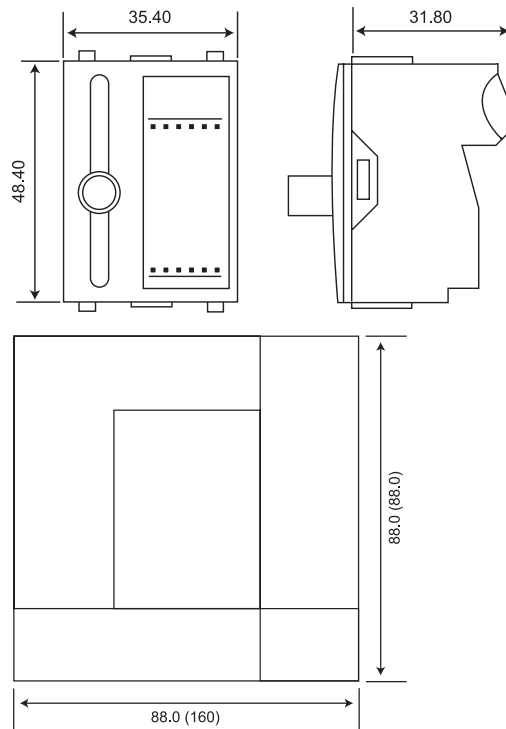
EMC immunity: EN 61547

Safety: EN 60669

Isolation: 4 kV

Environment: Complies with WEEE and RoHS directives

Dimensions



Connections

