



# ENTTEC 30mm *PIXEL Dot*

SMART RGB PIXEL DOTS: 125MM PITCH



## Features

- 125mm Pitch
- Designed for ENTTEC Pixie Driver
- Frosted and clear 180° dome options
- In-built WS2812 & WS2812B compatible chips into 3x5050 RGB LEDs
- Each pixel can achieve 16,777,216 full colour display and scan frequency non less than 400Hz/s
- Easy wall mounting
- Built-in data signal reshaping circuit
- 12V DC input supply voltage
- Flexible construction material
- Outdoor use

## Specifications

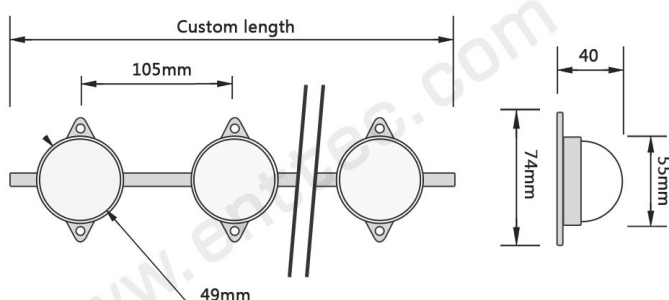
Due to continuous improvements and innovations of all ENTTEC products, specifications and features are subject to change without notice.

Specification per DOT	8PDOT1-CD	8PDOT1-FD
Input Voltage (VCC)	+11.5 to +12.5 VDC	
Data line Voltage	-0.5 to VCC +0.5	
Consumption (Watts)	0.6	
Luminance (max.)	12	8.4
Beam Angle	180°	
Control Protocol	WS2812 & WS2812b	
Weight (Grams)	40	
Operation Temperature	-10° to 50° C	
Dome finished	Clear	Frosted

## Ordering Information

The ENTTEC Pixel DOTS and compatible products can be ordered from our website or through your ENTTEC dealer.

## Physical Dimensions



ENTTEC PTY LTD  
17/5 Samantha Court  
Knoxfield Victoria 3180  
Australia  
Tel: +61 3 9763 5755  
Fax: +61 3 9763 5688

ENTTEC AMERICAS  
604A Cornerstone Ct.  
Hillsborough NC 27278  
USA  
Tel-Fax: (888) 454-5922  
email [sales@enttec.com](mailto:sales@enttec.com)

For more information please contact

**lightmoves** (03) 9701 2500  
info@lightmoves.com.au

138-146 Browns Rd, Noble Park VIC 3174

[www.enttec.com](http://www.enttec.com)