

Irideon Series



GENERAL INFORMATION

The Irideon FPZ is an LED framing projector with zoom optics that provides the highest quality beam, making it ideal for museums, lobbies, retail stores and more. A range of color temperature options from 2700 K to 5000 K make the FPZ well suited for any application, while track, canopy and portable mounting options provide the flexibility to meet any installation's needs. The superior quality zoom optics paired with three-plane shutters and a rotating barrel enable the FPZ to create a sharp or soft focused light in any shape you need. And when used with either glass or metal gobos, logos and designs look sharp and distinctive.

APPLICATIONS

- Museums
- Retail stores
- Restaurants
- Hospitality/Lobbies
- Theatres

FEATURES

- Rugged fixture body
- 25–50 degree zoom optics
- Uniquely efficient optical system
- Three-plane shutters
- DMX control with built-in intensity trim feature
- DALI or 0–10 V control option available for canopy version
- Dimming to less than 1% of maximum output
- Available in black, white and silver
  - Custom paint colors available; contact ETC

POWER INPUT OPTIONS

MODEL	100–120 VAC	100–277 VAC	230–240 VAC
PORTABLE	X		X
TRACK	X		X
CANOPY - DMX		X	
CANOPY - 0–10 V		X	
CANOPY - DALI		X	

ORDERING INFORMATION

Irideon FPZ

MODEL	COLOR TEMP	CRI	VOLTAGE	MOUNTING	CONTROL	COLOR
IRFPZ - Irideon FPZ	27 - 2700 K 30 - 3000 K 40 - 4000 K 50 - 5000 K	80 - Standard 90 - Gallery  (Gallery only available with 2700 K and 3000 K options. Standard only available in 3000 K, 4000 K and 5000 K options)	120 - 120 V 230 - 230 V 277 - 100–277 V  (277 only available with Canopy option)	T - Track C - Canopy P - Portable (Edison Plug) PU - Portable (UK 13A Plug) PE - Portable (EU Schuko Plug)	X - DMX D - DALI 010 - 0–10 V  (DALI and 0–10 V only available with Canopy option)	BLANK - Black 1 - White 5 - Silver 8 - Custom

To complete the form, simply select an option at the bottom of each column to populate the last row with your desired model number.

Color Options: Fixtures ship standard in black, silver or white. For additional colors please contact ETC.



## PRODUCT SPECIFICATIONS

## Source

LED details	Cree XLamp® MT-G2 EasyWhite® LED
Max field lumens	904
Lumens per watt	45.2
L70 rating (hours to 70% output)	46,000 hours

## Color

Colors used	White
Color temperature options	2700 K / 3000 K / 4000 K / 5000 K
Calibrated array	No
Red shift	No

## Optical

Beam angle range	25°–50°
Pattern projection	Yes
Pattern size	E (37.5 mm with a 25.4 mm image area)
Front magnetic media holder	Accommodates 66 mm (2.6 in) diameter color media, diffusion or glass with a maximum thickness of 1.75 mm
Camera flicker control/Hz range	1.2 kHz (standard) 25 kHz (DMX version only-set via RDM)
Notes	Projector-quality, high-contrast lenses Beam edge is continually adjustable hard to soft

## Control

Protocols	DMX - Portable, Track, Canopy 0–10 V - Canopy only DALI - Canopy only
RDM configuration	Yes (DMX version only)
UI type	Rotary pots
Local control	Yes

## Electrical

Voltage range	100–120 V 50/60 Hz (Portable/Track) 230–240 V 50/60 Hz (Portable/Track) 100–277 V 50/60 Hz (Canopy only)
Power cord length (portable variant only)	190 cm (75 in)
Control input options	DMX - Portable, Track, Canopy 0–10 V - Canopy only DALI - Canopy only
Track Adaptor (Track variant only)	120 V - Datatrack 240 V - EUTRAC 3-circuit + Data bus
Wattage Typical/Standby	20 W typical, 24 W max
Inrush (first half-cycle) with DMX variant	120 V - 11 A 240 V - 24 A 277 V - 28 A
Inrush (first half-cycle) with 0–10V or DALI variant	120 V - 2 A 240 V - 5 A 277 V - 6 A

## Thermal

Ambient operating temp	0°–40° C (32°–104° F)
Fan (controllable)	No fan
dB range	N/A
BTUs/hour	68.24 typical, 81.88 max

## Physical

Materials	Die-cast aluminum (A380 grade)
Color options	Black, white, silver, or custom color
Mounting options	Track, Portable, Canopy
IP rating	IP20
Weight	Track Mount: 1.93 kg (4.25 lb) Portable: 2.55 kg (5.62 lb) Canopy: 2.58 kg (5.70 lb)
Included accessories (portable variant only)	Steel yoke, C-clamp (not included with CE version)
Notes	Tool-free beam adjustment  Locking, full hard shutters in a tri-plane assembly  Accessory slot for E-size holder  Thermally insulated knobs and shutter handles  Magnetically held media holder

## Warranty

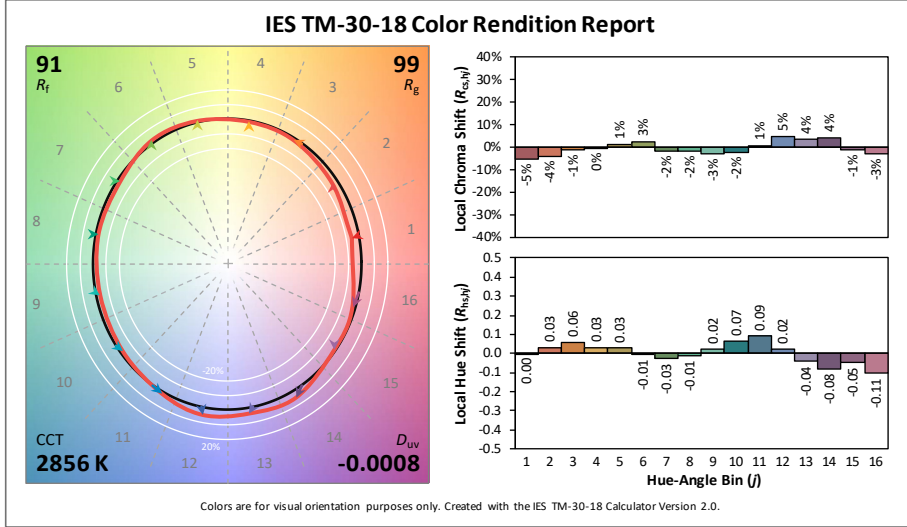
Fixture	5 years
LED array	10 years

## Approved Regulatory Standards

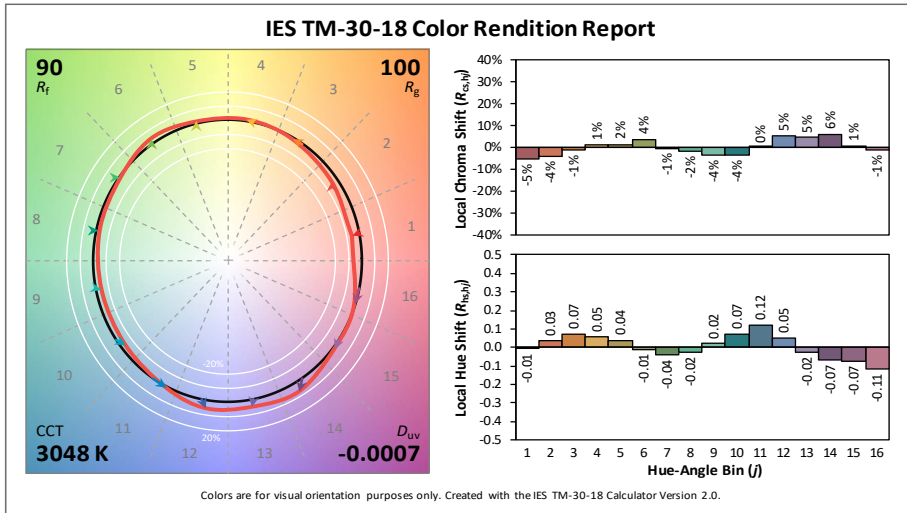
Track version	cETLus Listed Conforms to ANSI/UL STD.1574 Certified to CSA STD. C22.2 No: 9.0 CE Compliant
Portable version	cETLus Listed Conforms to ANSI/UL STD.153 Certified to CSA STD. C22.2 No: 250 CE Compliant
Canopy version	cETLus Listed Conforms to ANSI/UL STD.1598 Certified to CSA STD. C22.2 No: 250 CE Compliant

COLOR METRIC INFORMATION

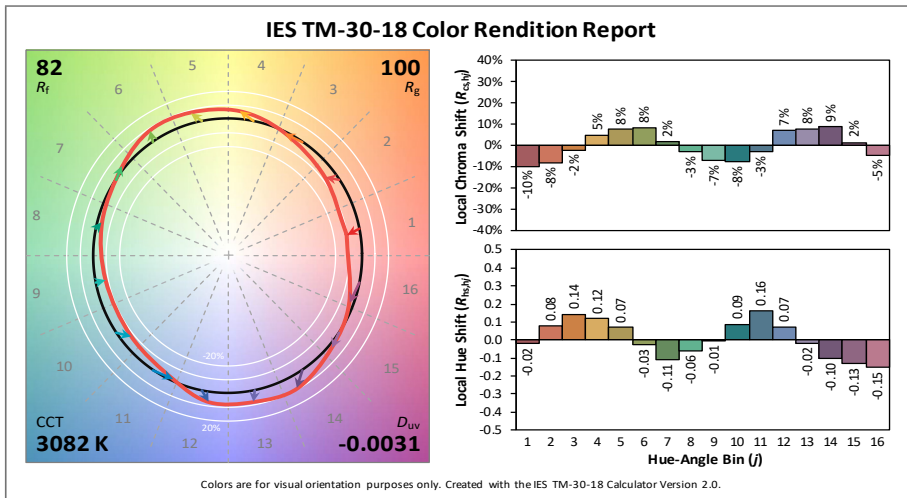
Irideon 2700 K Gallery (>90CRI) TM-30-18



Irideon 3000 K Gallery (>90CRI) TM-30-18

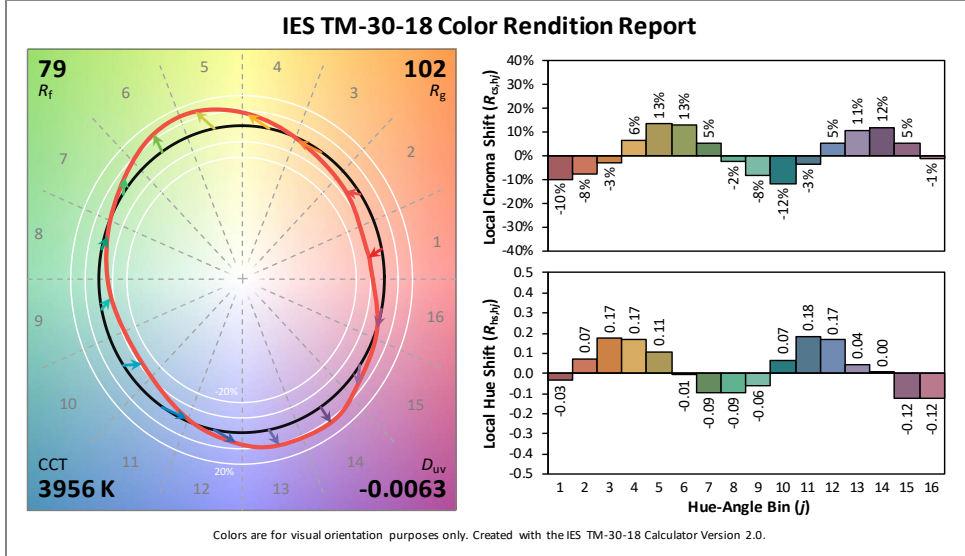


Irideon 3000 K (>80CRI) TM-30-18

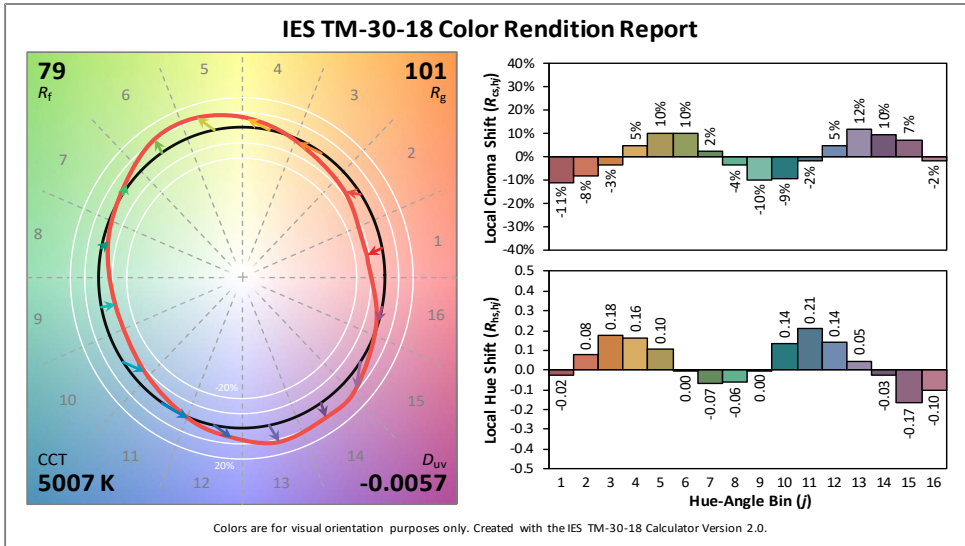


COLOR METRIC INFORMATION

Irideon 4000 K Gallery (>80CRI) TM-30-18



Irideon 5000 K Gallery (>80CRI) TM-30-18

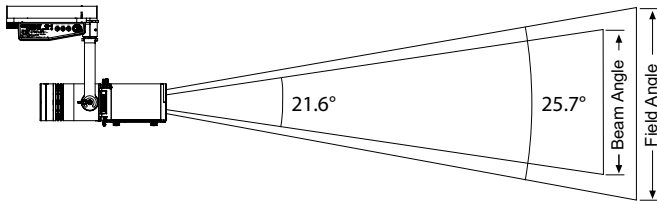


PHOTOMETRY

Narrow Focus

Array	Focus	Candela	Field Lumens	Beam Lumens	Power Consumption	Efficacy (lpw)
2700 K / 90 CRI	Narrow	7,668	730	566	20	37.6
3000 K / 90 CRI	Narrow	6,785	700	564	20	35.0
3000 K / 80 CRI	Narrow	7,543	808	665	20	40.4
4000 K / 80 CRI	Narrow	8,964	957	783	20	47.9
5000 K / 80 CRI	Narrow	9,117	929	688	20	46.5

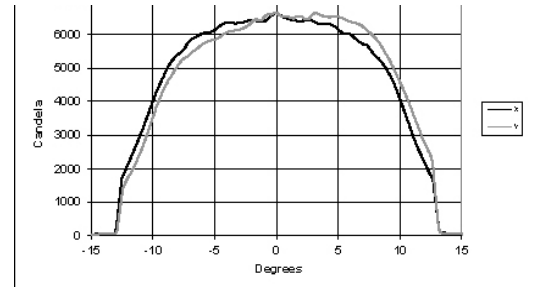
Metric conversions: For meters, multiply feet by 0.3048.  
For lux, multiply foot-candles by 10.76.



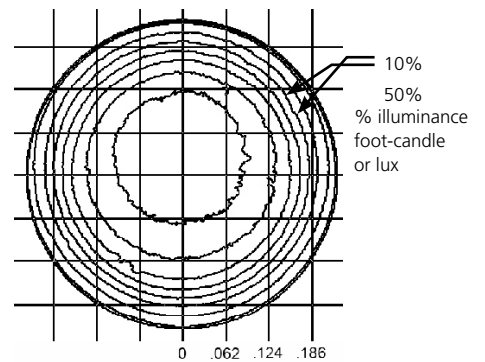
Throw Distance (d)	10 ft	15 ft	20 ft	30 ft	86.9 ft
	3.0 m	4.6 m	6.1 m	9.1 m	26.5 m
Field Diameter	4.6 ft	6.8 ft	9.1 ft	13.7 ft	-
	1.4 m	2.1 m	2.8 m	4.2 m	-
Illuminance (fc)	75	34	19	8	1
Illuminance (lux)	812	361	203	90	10.76

For field diameter at any distance, multiply distance by 0.456.  
For beam diameter at any distance, multiply by 0.382.

Candela Plot



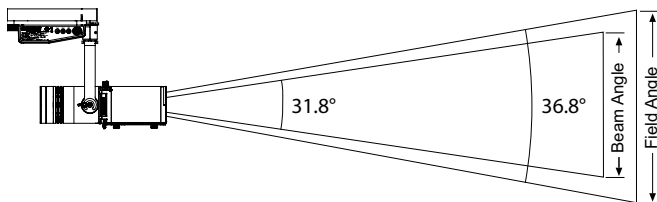
Iso-Illuminance Diagram (Flat Surface Distribution)



Mid Focus

Array	Focus	Candela	Field Lumens	Beam Lumens	Power Consumption	Efficacy (lpw)
2700K / 90 CRI	Mid	4,394	750	584	20	38.7
3000K / 90 CRI	Mid	3,487	721	566	20	36.1
3000K / 80 CRI	Mid	3,915	836	669	20	41.8
4000K / 80 CRI	Mid	4,658	988	788	20	49.4
5000K / 80 CRI	Mid	4,619	964	766	20	48.2

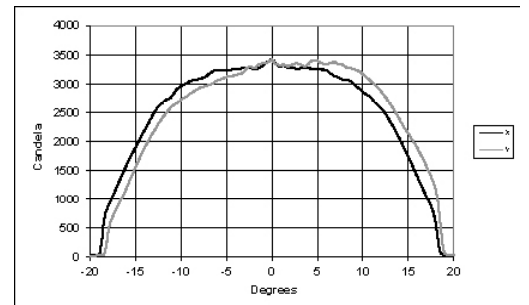
Metric Conversions: For meters, multiply feet by 0.3048.  
For lux, multiply foot-candles by 10.76.



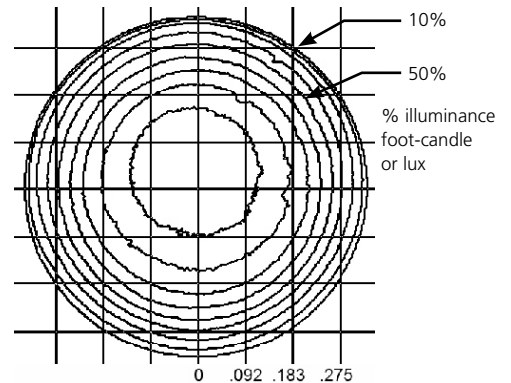
Throw Distance (d)	10 ft	15 ft	20 ft	30 ft	62.6 ft
	3.0 m	4.6 m	6.1 m	9.1 m	19.1 m
Field Diameter	6.7 ft	10.0 ft	13.3 ft	20.0 ft	-
	2.0 m	3.0 m	4.1 m	6.1 m	-
Illuminance (fc)	39	17	10	4	1
Illuminance (lux)	421	187	105	47	10.76

For field diameter at any distance, multiply distance by 0.665.  
For beam diameter at any distance, multiply by 0.570.

Candela Plot



Iso-Illuminance Diagram (Flat Surface Distribution)

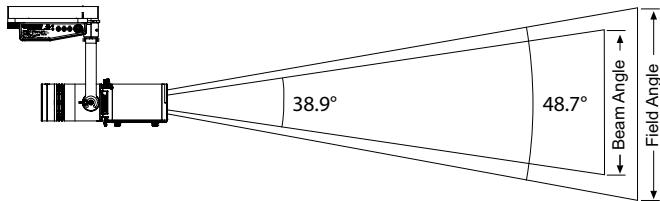


PHOTOMETRY

Wide Focus

Array	Focus	Candela	Field Lumens	Beam Lumens	Power Consumption	Efficacy (lpw)
2700 K / 90 CRI	Wide	2,500	703	504	20	36.2
3000 K / 90 CRI	Wide	2,184	682	511	20	34.1
3000 K / 80 CRI	Wide	2,413	786	596	20	39.3
4000 K / 80 CRI	Wide	2,797	923	691	20	46.2
5000 K / 80 CRI	Wide	2,753	904	678	20	45.2

Metric conversions: For meters, multiply feet by 0.3048.  
For lux, multiply foot-candles by 10.76.

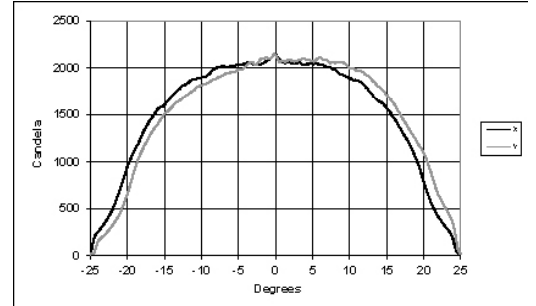


<b>Throw Distance (d)</b>	10 ft 3.0 m	15 ft 4.6 m	20 ft 6.1 m	30 ft 9.1 m	49.1 ft 15.0 m
<b>Field Diameter</b>	9.1 ft 2.8 m	13.6 ft 4.1 m	18.1 ft 5.5 m	27.2 ft 8.3 m	-
<b>Illuminance (fc)</b>	24	11	6	3	1
<b>Illuminance (lux)</b>	260	115	65	29	10.76

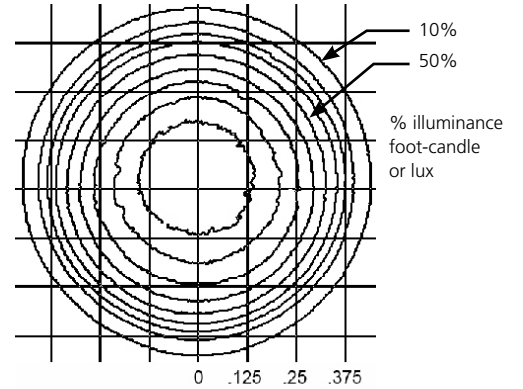
For field diameter at any distance, multiply distance by 0.905.  
For beam diameter at any distance, multiply by 0.706.

All illuminance figures are calculated using the 3000 K 80 CRI variant.

Candela Plot



Iso-Illuminance Diagram  
(Flat Surface Distribution)



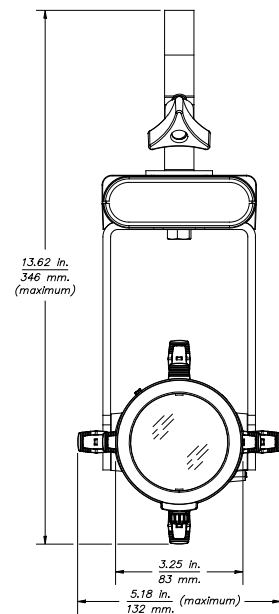
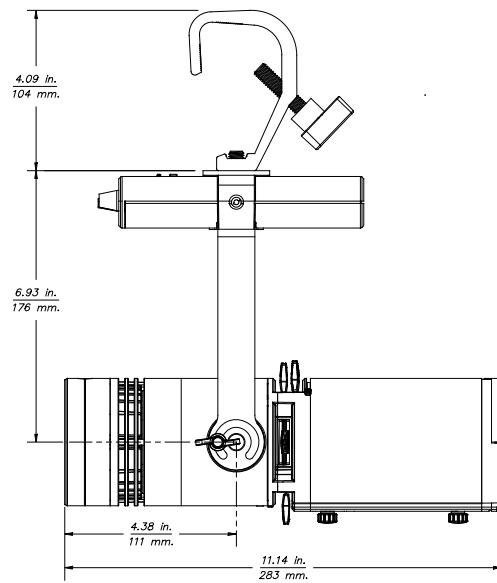
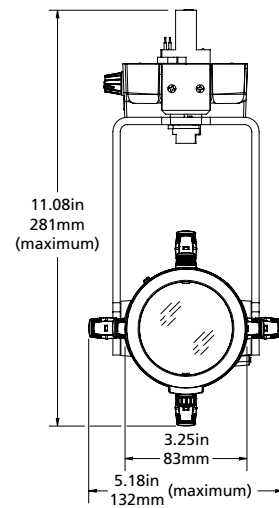
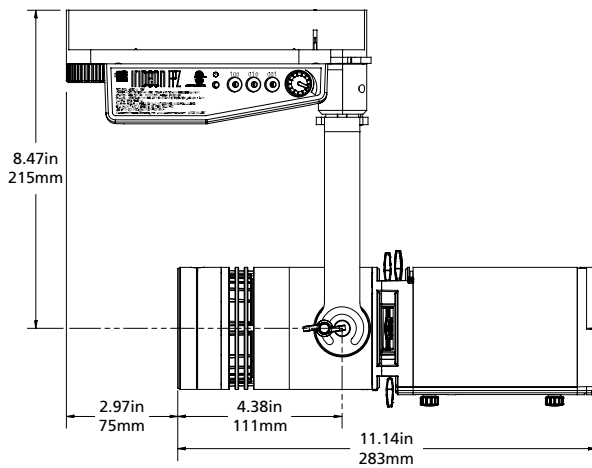
PHYSICAL

FPZ Dimensions

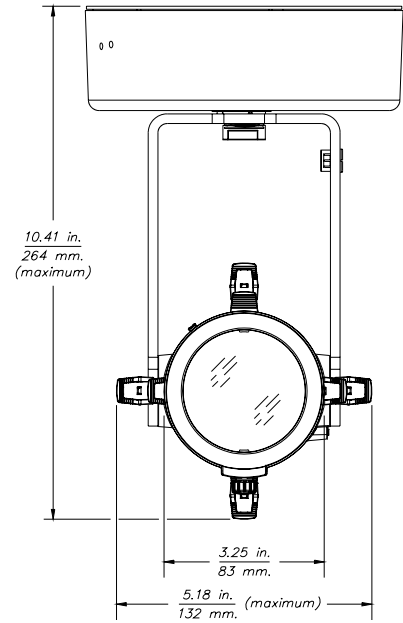
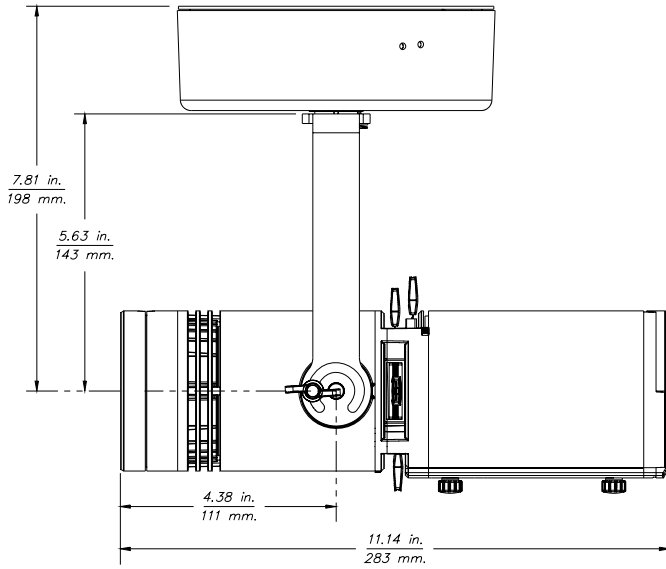
	HEIGHT		WIDTH		DEPTH	
	in	mm	in	mm	in	mm
Track Mount	11.08	281	5.18	132	14.11	358
Portable	13.62	346	5.18	132	11.14	283
Canopy	10.41	264	5.18	132	11.14	283

FPZ Weights

	WEIGHT		SHIPPING WEIGHT	
	lb	kg	lb	kg
Track Mount	4.25	1.93	6.25	2.83
Portable	5.62	2.55	7.41	3.36
Canopy	5.70	2.58	8.11	3.68



PHYSICAL



Corporate Headquarters • Middleton, WI USA

Global Offices • London, UK • Rome, IT • Holzkirchen, DE • Paris, FR • Hong Kong • Dubai, UAE • Singapore • New York, NY • Orlando, FL • Los Angeles, CA

Copyright©2020 ETC. All Rights Reserved. All product information and specifications subject to change. Rev J 02/20

Trademark and patent info: etconnect.com/IP

etconnect.com