

ICON-808

Second Generation Solid State Downlight
640 lumens* AUSTRALIAN MADE



The ICON-808 boasts 640 lumens* from 7 state-of-the-art Nichia LED's, whilst still retaining a 70% maintained life after 50,000 hours of operation

The 808 is an authentic alternative to the 50mm halogen (MR16) 20watt light fitting

Unsurpassed lens optics set this product apart from others that have congested the market place in recent years. Digilin lens technology is well known throughout the world, and is second to none

The 808 may be used as a fixed or adjustable fitting, and is available in an IP-44 version for bathroom use (fixed position only)



Quick Specs

Power consumption - 8 watts

Lumen's* produced - 640; see photometric data for completed figures

Colour Temperature - 3000K to 5000K

Typical CRI 85

Beam Spreads - 22, 36 and 60 degrees

Dimmable - 1 > 10v or DALI drivers available



**DESIGNED AND MANUFACTURED
IN AUSTRALIA**

For more information please contact

lightmoves (03) 9701 2500
info@lightmoves.com.au

138-146 Browns Rd, Noble Park VIC 3174

Please see rear of brochure for full specifications

Note—Please see 'www.digilin.com.au' or the relevant data sheets for full details, specs and driver options. Specifications subject to upgrades and/or changes without notice.

QLD: 37 Oxford St, Bulimba 4171
NSW: 29 Linga Longa Rd, Yarramalong 2259

Ph: +617 3899 1267
Ph: +612 4356 1986

Fax: +617 3899 1261
Fax: +612 4356 1987

www.digilin.com.au
Email giles@digilin.com.au



At the Forefront of LED and Fibre Optic Technologies since 1980

Copyright © 2010 Digilin Australia ABN: 44078278449 Ver 2.2 27-08-2012

ICON-808

Second Generation Solid State Downlight

640 lumens*



For more information please contact
lightmoves (03) 9701 2500
 info@lightmoves.com.au
 138-146 Browns Rd, Noble Park VIC 3174

Specifications

Beam Spreads

- 22 degree
- 36 degree
- 60 degree

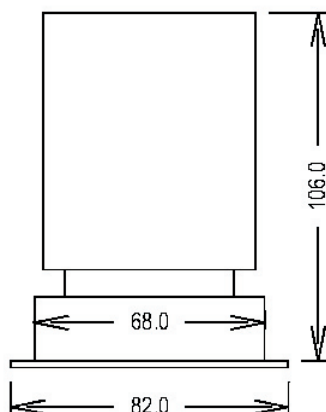
*Beam angle is defined as total beam to 50% peak intensity

Finish

- Powder Coat: White
- *Powder Coat: other colours to order
- *Anodised: Silver to order
- *Anodised: other colours to order
- Body and trim: Machined aluminium
- Heatsink: Extruded aluminium

Adjustment Angle

+ / - 28 degrees



Hole size cut-out 70mm

Thermal Management

Digilin's thermal design is engineered to accelerate the removal of heat from the LED junction into an effective heatsink to ensure the LED manufacturer's claimed life is achieved

LED

Typical LED lumens* 640 @ 3000k (Tj=25°C)
 (IES photometric data available)

Colour Temperature

- 3000K Typical CRI 85
- 3500K Typical CRI 85
- 4000K Typical CRI 85
- 5000K Typical CRI 85

Lifespan—Lumen Maintenance

70% remaining at 50 000 hrs (L70) running in max ambient temp of 40°C

Recommended Operating Temp

-10°C to +40°C

Weight

400g

Shipping Weight and Dimensions

680g with LPC Power supply
 135mm x 115mm x 95mm

Electrical

350mA Constant Current at 24V nominal

Power Supply

Non dimming: Digilin code LPC-24350
 Dimming Mains: Digilin code LPC-52350-MD
 Dimming 0-10v: Digilin code LPC-OT18-350
 DALI dimming drivers availability, contact Digilin for full details

Selection Specification—How to Order

Model	LED Colour Temp	Beam Spread	Finish
ICON-808	W30: 3000K W35: 3500K W40: 4000K** W50: 5000K** **to special order only	22: Narrow 22° 36: Wide 36° 60: Flood 60°	W: White S: Silver** SP: Special colour** (specify) **to special order only white is standard

Example order number: ICON 808 3000K LED, wide beam, white finish = ICON 808-W30-60-W

Note—Please see 'www.digilin.com.au' or the relevant data sheets for full details, specs and driver options. Specifications subject to upgrades and/or changes without notice.

QLD: 37 Oxford St, Bulimba 4171
 NSW: 29 Linga Longa Rd, Yarramalong 2259

Ph: +617 3899 1267
 Ph: +612 4356 1986

Fax: +617 3899 1261
 Fax: +612 4356 1987

www.digilin.com.au
 Email giles@digilin.com.au



At the Forefront of LED and Fibre Optic Technologies since 1980