

# HORIZON – 112

12 Watt Low Profile LED Downlight  
1050 lumens\* (3000K)



## Description

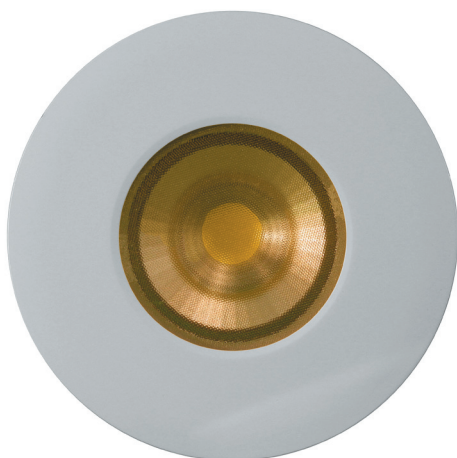
DIGILIN HORIZON 112 provides a high quality, low profile LED lighting solution for residential and commercial applications. Especially suited for installations with minimal ceiling void space

HORIZON 112 utilises a sophisticated COB LED device which offers high light output ratio with industry standard CRI figures

Colour Temperature – 3000K, 4000K and 5000K

Typical CRI 85

Available beam spread: 60 degrees



## Tenants and owner occupiers will benefit from:

- Low running costs
- No ongoing maintenance costs
- Reduction of occupational and safety issues relating to lighting maintenance
- Instant start after power outage or initial start up

## Some suggested uses for HORIZON 112 are:

- Residential
- Schools and Universities
- Hotels and general hospitality
- Onsite portable offices
- Portable accommodation
- Prefabricated buildings
- Refrigerated Cold rooms

For more information please contact

**lightmoves** (03) 9701 2500  
info@lightmoves.com.au  
138-146 Browns Rd, Noble Park VIC 3174

Please see rear of brochure for full specifications

Note—Please see 'digilin.com.au' or the relevant data sheets for full details, specs and driver options. Specifications subject to upgrades and/or changes without notice.

QLD: 37 Oxford St, Bulimba 4171  
NSW: 29 Linga Longa Rd, Yarramalong 2259

Ph: +617 3899 1267  
Ph: +612 4356 1986

Fax: +617 3899 1261  
Fax: +612 4356 1987

[www.digilin.com.au](http://www.digilin.com.au)  
Email giles@digilin.com.au



**At the Forefront of LED and Fibre Optic Technologies since 1980**

Copyright © 2010 Digilin Australia ABN: 44078278449 Ver 1.3 27-08-2012

# HORIZON – 112

## 12 Watt Low Profile LED Downlight

### 1050 lumens\* (3000K)



For more information please contact  
**lightmoves** (03) 9701 2500  
 info@lightmoves.com.au  
 138-146 Browns Rd, Noble Park VIC 3174

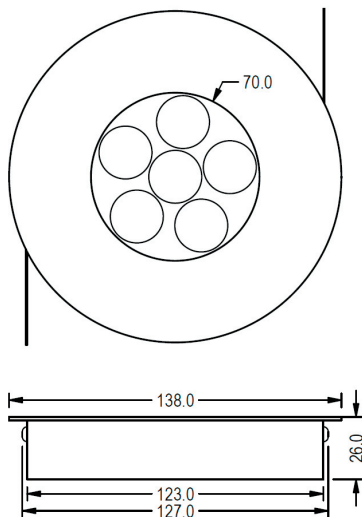
### Specifications

**Beam Spread**  
 60 degree  
 \*Beam angle is defined as  
 total beam to 50% peak intensity

**Finish**  
 Powder Coat: White  
 \*\*Acrylic window

**Adjustment Angle**  
 Fixed

**Dimensions**  
 Front Trim 138mm  
 Total Height 34mm  
 Body Height 26mm  
 Body Diameter 123mm



Hole size cut-out 127mm or 5 inch

**LED – Colour Temperature, CRI, LED Lumens**  
 (Tj=25°C)  
 3000K Typical CRI 85 Typical LED lumens\* 1050  
 4000K Typical CRI 85 Typical LED lumens\* 1150  
 5000K Typical CRI 85 Typical LED lumens\* 1200  
 (IES photometric data available)

**Lifespan—Lumen Maintenance**  
 70% remaining at 50 000 hrs (L70) running in max  
 ambient temp of 45°C

**Recommended Operating Temp**  
 -10°C to +45°C

**Weight**  
 535g

**Shipping Weight and Dimensions**  
 870g  
 180mm x 180mm x 100mm

**Electrical**  
 350mA Constant Current at 36V nominal

**Power Supply**  
 Non Dimming: Digilin code LPC-52350-MD  
 Mains Dimming: Digilin code LPC-52350-MD  
 Other drivers availability, contact Digilin for full details

**Power Factor**  
 LPC-52350-MD\* Pf >= 0.95

### Selection Specification—How to Order

<b>Model</b>	<b>LED Colour Temp</b>	<b>Beam Spread</b>	<b>Finish</b>
HORIZON 112	W30: 3000K W40: 4000K W50: 6000K	60: 60°	W: White

Example order number: HORIZON 112 3000K LED, 60deg beam, white finish = HORIZON 112-W30-60-W

Note—Please see 'digilin.com.au' or the relevant data sheets for full details, specs and driver options. Specifications subject to upgrades and/or changes without notice.

QLD: 37 Oxford St, Bulimba 4171  
 NSW: 29 Linga Longa Rd, Yarramalong 2259

Ph: +617 3899 1267  
 Ph: +612 4356 1986

Fax: +617 3899 1261  
 Fax: +612 4356 1987

[www.digilin.com.au](http://www.digilin.com.au)  
 Email giles@digilin.com.au



**At the Forefront of LED and Fibre Optic Technologies since 1980**