

# HELIOS-150

## Solid State High Bay Luminaire



Digilin HELIOS-150 high bay provides a viable alternative to conventional commercial 'gas discharge' lighting.

Utilising the latest in compact, maintenance-free 'Heat Pipe Technology', thermal management of the high performance light engine ensures the kind of performance and reliability that sets HELIOS-150 apart from standard lighting systems.

HELIOS-150 provides high lumen outputs, low power consumption, and extended lamp life\*.

If low maintenance and running costs are of importance to your project, please ask for a test drive of HELIOS-150 before making any decisions



### BRIEF SPECS:

Power Consumption - 150 watts  
Beam Spreads - 45 and 60 degrees - TBC

Colour Temperatures available:  
6000k nominal

Photometric (IES) files TBC

For more information please contact

**lightmoves** (03) 9701 2500  
info@lightmoves.com.au

138-146 Browns Rd, Noble Park VIC 3174

QLD: 37 Oxford St, Bulimba 4171  
NSW: 29 Linga Longa Rd, Yarramalong 2259

Ph: +617 3899 1267  
Ph: +612 4356 1986

Fax: +617 3899 1261  
Fax: +612 4356 1987

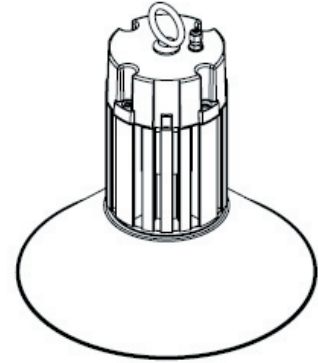
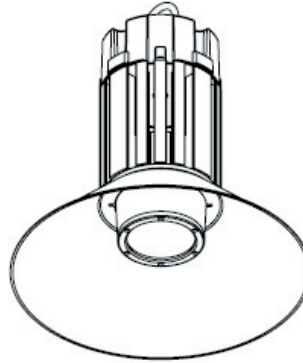
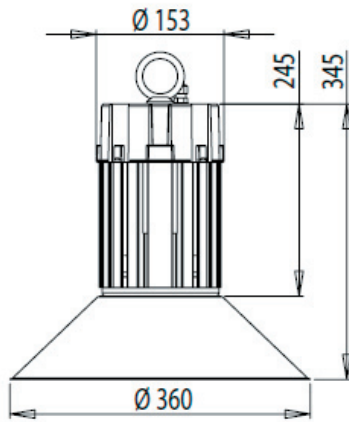
[www.digilin.com.au](http://www.digilin.com.au)  
Email [giles@digilin.com.au](mailto:giles@digilin.com.au)



**At the Forefront of LED and Fibre Optic Technologies since 1980**

# HELIOS-150

## Solid State High Bay Luminaire



All units in mm – Dimensional tolerance +/- 5mm

For more information please contact

**lightmoves** (03) 9701 2500  
 info@lightmoves.com.au  
 138-146 Browns Rd, Noble Park VIC 3174

### SPECIFICATIONS, LUMEN TABLE AND ORDERING CODES

ORDERING CODES	COLOUR TEMP	BEAM SPREAD FULL ANGLE: 50% INTENSITY	BEAM SPREAD 10% FIELD	LUMENS (MAX)
HE-150-W60-45-AL	6000K	45	75	10000
HE-150-W60-60-PC	6000K	60	140	10000

### LUX TABLE AND ORDERING CODES

ORDERING CODES	LUX @ 4 METRES	LUX @ 6 METRES	LUX @ 8 METRES
HE-150-W60-45-AL (CRI 70)	TBC	TBC	TBC
HE-150-W60-PC (CRI 70)	TBC	TBC	TBC

Note—Please see 'www.digilin.com.au' or the relevant data sheets for full details and specs. Specifications subject to upgrades and/or changes without notice.

QLD: 37 Oxford St, Bulimba 4171  
 NSW: 29 Linga Longa Rd, Yarramalong 2259

Ph: +617 3899 1267  
 Ph: +612 4356 1986

Fax: +617 3899 1261  
 Fax: +612 4356 1987

[www.digilin.com.au](http://www.digilin.com.au)  
 Email giles@digilin.com.au



**At the Forefront of LED and Fibre Optic Technologies since 1980**