

# HELIOS-120

## Solid State High Bay Luminaire



For more information please contact

**lightmoves** (03) 9701 2500  
info@lightmoves.com.au

138-146 Browns Rd, Noble Park VIC 3174

Digilin HELIOS-120 high bay provides a viable alternative to conventional commercial 'gas discharge' lighting.

Utilising the latest in compact, maintenance-free 'Heat Pipe Technology', thermal management of the high performance light engine ensures the kind of performance and reliability that sets HELIOS-120 apart from standard lighting systems.

HELIOS-120 provides high lumen outputs, low power consumption, and extended lamp life\*.

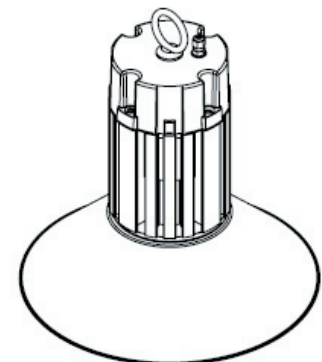
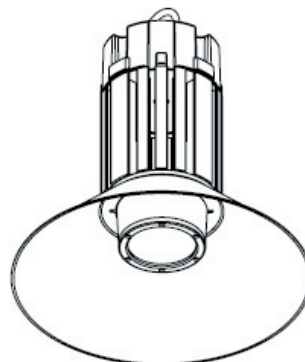
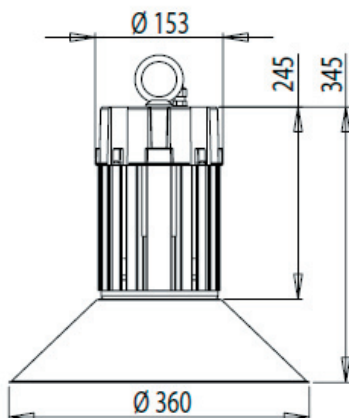
If low maintenance and running costs are of importance to your project, please ask for a test drive of HELIOS-120 before making any decisions



### BRIEF SPECS:

Power Consumption – 120 watts  
Beam Spreads – 55, 65, 75 and 120 degrees

Colour Temperatures available:  
3000k nominal  
4000k nominal  
6000k nominal



All units in mm – Dimensional tolerance +/- 5mm

QLD: 37 Oxford St, Bulimba 4171  
NSW: 29 Linga Longa Rd, Yarramalong 2259

Ph: +617 3899 1267  
Ph: +612 4356 1986

Fax: +617 3899 1261  
Fax: +612 4356 1987

[www.digilin.com.au](http://www.digilin.com.au)  
Email [giles@digilin.com.au](mailto:giles@digilin.com.au)



**At the Forefront of LED and Fibre Optic Technologies since 1980**

# HELIOS-120

## Solid State High Bay Luminaire



For more information please contact

**lightmoves** (03) 9701 2500  
info@lightmoves.com.au

138-146 Browns Rd, Noble Park VIC 3174

### SPECIFICATIONS, LUMEN TABLE AND ORDERING CODES

POWER CONSUMPTION – 120 watts

AC INPUT VOLTAGE – 90V – 277V

\*LIFESPAN-LUMEN MAINTENANCE – 70% at 27 000 hrs (L70) running in max ambient temp of 40°C

TESTED OPERATING RANGE –30°C to +50°C. LED life may decrease in constant running temperatures higher than 40°C

HOUSING TEMP – Approx 80°C (at 40°C ambient)

HEIGHT (to rear of plastic housing) WITHOUT RELECTOR – 245mm: WITH REFELECTOR – 345mm

LUMINAIRE DIAMETER – 153 mm

REFELECTOR DIAMETER – 360mm

WEIGHT – 3.3 kilograms WITHOUT RELECTOR: WITH RELECTOR 3.5 kilograms

ORDERING CODES	COLOUR TEMP	BEAM SPREAD FULL ANGLE: 50% INTENSITY	BEAM SPREAD 10% FIELD	LUMENS (MAX)
HE-120-W30-55	3000K	30	55	4500
HE-120-W30-65	3000K	45	65	5200
HE-120-W30-75	3000K	45	75	5400
HE-120-W30-120	3000K	60	120	5200
HE-120-W40-55	4000K	30	55	5300
HE-120-W40-65	4000K	45	65	6000
HE-120-W40-75	4000K	45	75	6200
HE-120-W40-120	4000K	60	120	6000
HE-120-W60-55	6000K	30	55	6500
HE-120-W60-65	6000K	45	65	7300
HE-120-W60-75	6000K	45	75	7600
HE-120-W60-120	6000K	60	120	7300

### LUX TABLE AND ORDERING CODES

ORDERING CODES	LUX @ 4 METRES	LUX @ 6 METRES	LUX @ 8 METRES
HE-120-W30-55	(CRI 80) 850	360	205
HE-120-W30-65	500	210	125
HE-120-W30-75	420	180	100
HE-120-W30-120	230	95	55
HE-120-W40-55	(CRI 75) 950	420	230
HE-120-W40-65	580	253	135
HE-120-W40-75	480	210	115
HE-120-W40-120	270	120	65
HE-120-W60-55	(CRI 70) 1200	530	290
HE-120-W60-65	730	310	175
HE-120-W60-75	600	260	145
HE-120-W60-120	340	145	80

Note—Please see 'www.digilin.com.au' or the relevant data sheets for full details and specs. Specifications subject to upgrades and/or changes without notice.

QLD: 37 Oxford St, Bulimba 4171

NSW: 29 Linga Longa Rd, Yarramalong 2259

Ph: +617 3899 1267

Ph: +612 4356 1986

Fax: +617 3899 1261

Fax: +612 4356 1987

[www.digilin.com.au](http://www.digilin.com.au)

Email [giles@digilin.com.au](mailto:giles@digilin.com.au)



**At the Forefront of LED and Fibre Optic Technologies since 1980**