

HELIOS-100

Solid State High Bay Luminaire



Digilin HELIOS-100 high bay provides a viable alternative to conventional commercial 'gas discharge' lighting.

Utilising the latest in LED 'Multi Chip' technology, HELIOS-100 provides high lumen outputs with low power consumption, and extended lamp life*.

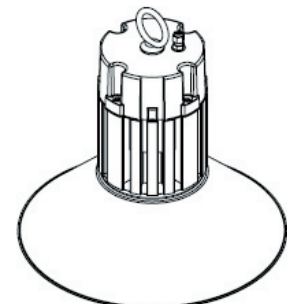
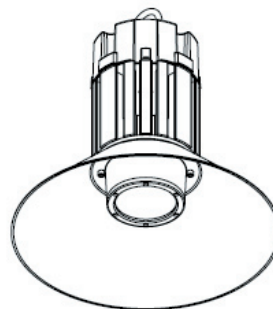
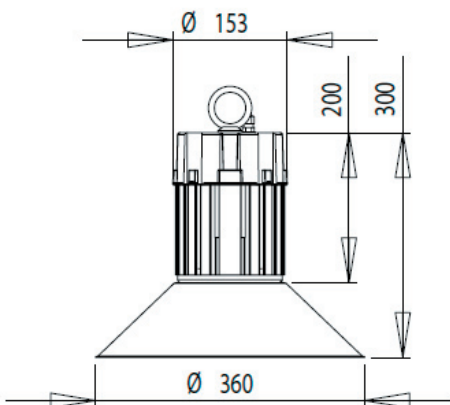
If low running costs and zero maintenance are of importance to your project, please ask for a test drive of HELIOS-100 before making any decisions.

BRIEF SPECS:

Power Consumption – 100 watts
Beam Spreads – 55, 65, 75 and 120 degrees

Colour Temperatures available:
3000k
4000k
6000k

Photometric (IES) files available



For more information please contact

lightmoves (03) 9701 2500
info@lightmoves.com.au

138-146 Browns Rd, Noble Park VIC 3174

All units in mm – Dimensional tolerance +/- 5mm

QLD: 37 Oxford St, Bulimba 4171
NSW: 29 Linga Longa Rd, Yarramalong 2259

Ph: +617 3899 1267
Ph: +612 4356 1986

Fax: +617 3899 1261
Fax: +612 4356 1987

www.digilin.com.au
Email giles@digilin.com.au



At the Forefront of LED and Fibre Optic Technologies since 1980

HELIOS-100

Solid State High Bay Luminaire



For more information please contact

lightmoves (03) 9701 2500
 info@lightmoves.com.au
 138-146 Browns Rd, Noble Park VIC 3174

SPECIFICATIONS, LUMEN TABLE AND ORDERING CODES

POWER CONSUMPTION – 100 watts

AC INPUT VOLTAGE – 90V – 264V

*LIFESPAN-LUMEN MAINTENANCE – 70% at 27 000 hrs (L70) running in max ambient temp of 40°C

TESTED OPERATING RANGE –30°C to +40°C. LED life may decrease in constant running at temperatures higher than 40°C

HOUSING TEMP – Approx 80°C (at 40°C ambient)

HEIGHT (to rear of plastic housing) WITHOUT RELECTOR – 200mm: WITH REFELECTOR – 300mm

LUMINAIRE DIAMETER – 153 mm

REFELECTOR DIAMETER – 360mm

WEIGHT – 4.2 kilograms WITHOUT RELECTOR: WITH RELECTOR 4.4 kilograms

| ORDERING CODES | COLOUR TEMP | BEAM SPREAD FULL ANGLE: 50% INTENSITY | BEAM SPREAD 10% FIELD | LUMENS (MAX) |
|----------------|-------------|---------------------------------------|-----------------------|--------------|
| HE-100-W30-55 | 3000K | 30 | 55 | 3050 |
| HE-100-W30-65 | 3000K | 45 | 65 | 3450 |
| HE-100-W30-75 | 3000K | 45 | 75 | 3600 |
| HE-100-W30-120 | 3000K | 60 | 120 | 2450 |
| HE-100-W40-55 | 4000K | 30 | 55 | 3500 |
| HE-100-W40-65 | 4000K | 45 | 65 | 4000 |
| HE-100-W40-75 | 4000K | 45 | 75 | 4100 |
| HE-100-W40-120 | 4000K | 60 | 120 | 4000 |
| HE-100-W60-55 | 6000K | 30 | 55 | 4250 |
| HE-100-W60-65 | 6000K | 45 | 65 | 4800 |
| HE-100-W60-75 | 6000K | 45 | 75 | 5000 |
| HE-100-W60-120 | 6000K | 60 | 120 | 4800 |

LUX TABLE AND ORDERING CODES

| ORDERING CODES | LUX @ 4 METRES | LUX @ 6 METRES | LUX @ 8 METRES |
|----------------|----------------|----------------|----------------|
| HE-100-W30-55 | (CRI 80) 560 | 240 | 136 |
| HE-100-W30-65 | 330 | 140 | 80 |
| HE-100-W30-75 | 280 | 120 | 68 |
| HE-100-W30-120 | 155 | 65 | 37 |
| HE-100-W40-55 | (CRI 75) 640 | 280 | 154 |
| HE-100-W40-65 | 380 | 165 | 90 |
| HE-100-W40-75 | 320 | 140 | 77 |
| HE-100-W40-120 | 175 | 75 | 42 |
| HE-100-W60-55 | (CRI 70) 800 | 350 | 194 |
| HE-100-W60-65 | 470 | 208 | 115 |
| HE-100-W60-75 | 400 | 175 | 97 |
| HE-100-W60-120 | 220 | 95 | 53 |

Note—Please see 'www.digilin.com.au' or the relevant data sheets for full details and specs. Specifications subject to upgrades and/or changes without notice.

QLD: 37 Oxford St, Bulimba 4171

NSW: 29 Linga Longa Rd, Yarramalong 2259

Ph: +617 3899 1267

Ph: +612 4356 1986

Fax: +617 3899 1261

Fax: +612 4356 1987

www.digilin.com.au

Email giles@digilin.com.au



At the Forefront of LED and Fibre Optic Technologies since 1980