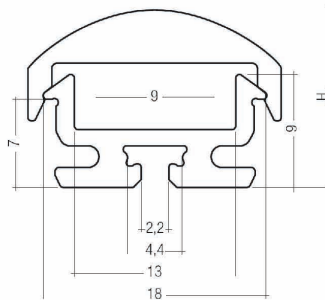


JAVELIN Extrusion Family For LED Strips

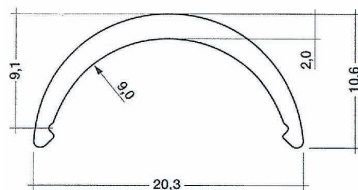


The JAVELIN range of extrusion and diffuser/lens combinations offer unrivalled choices to the lighting designer: Choose from Linear Optic Convex lenses in 30, 60 or 90 degree spreads; Opal, Semi Opal or clear diffusers

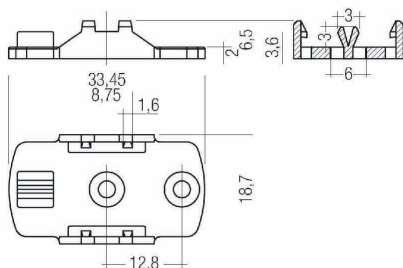
No other LED manufacturer offers combination of strip and lens options that Digilin provides



Javelin End View



Typical difuser dimensions



Javelin Mounting Clip

Specifications

Base – Extruded Aluminium finned heat sink

Mounting Clip – moulded acrylic

Diffuser – Moulded Acrylic

IP Rating – IP44

Lengths – any length up to two metres then butt join

Optic lenses and Diffuser choices

Clear or Frost 30 degree (part number Javelin C30 or F30)

Clear or Frost 60 degree (part number Javelin C60 or F60)

Clear or Frost 90 degree (part number Javelin C90 or F90)

Opal Diffused (part number Javelin O)

Frosted Diffused (part number Javelin F)

Clear (part number Javelin C)

Additional information

The Javelin extrusion acts as a heat sink for the Digilin MicroPower, TriPower and PowerLed products; no further heat management is required

Javelin is designed for indoor, or under cover use and may be optioned up for outdoor use

For more information please contact

lightmoves (03) 9701 2500
info@lightmoves.com.au

138-146 Browns Rd, Noble Park VIC 3174

Note—Please see 'digilin.com.au' or the relevant data sheets for full details, specs and driver options. Specifications subject to upgrades and/or changes without notice.

QLD: 37 Oxford St, Bulimba 4171
NSW: 2/7 Burton Avenue, Northmead 2152

Ph: +617 3899 1267
Ph: +612 9688 7918

Fax: +617 3899 1261
Fax: +612 9688 7219

www.digilin.com.au
Email giles@digilin.com.au



At the Forefront of LED and Fibre Optic Technologies since 1980