

# Neoled™ Top RGB

Architectural Flexible Linear LED Neon



IP68 Protection



160 Beam Angle



IK08 Protection



120mm Bend



3 year Warranty



Solvent Resistant



Flame Resistant



UV Resistant



Saltwater Resistant

## Optics

Flat Top 160° Beam Angle (160° Viewing)

## Control Options (with suitable Driver)

DALI, DSI, 1-10vdc, DMX and Switched

## LED Colour Options

RGB

## IP Rating

IP68

## LED Wattage/Voltage

RGB - 12.0 watts p/mtr 24VDC

R - 3 watts, G - 4.5 watts, B - 4.5 watts p/mtr 24VDC

## Lumen Output

Red - 201 Lm/Metre

Green - 75 Lm/Metre

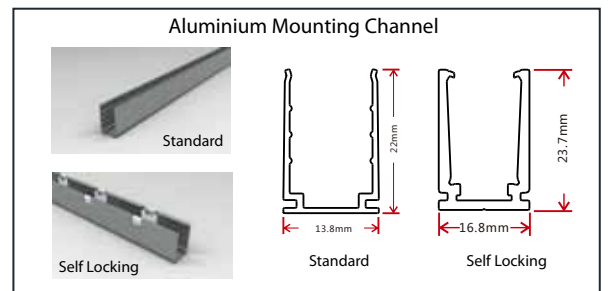
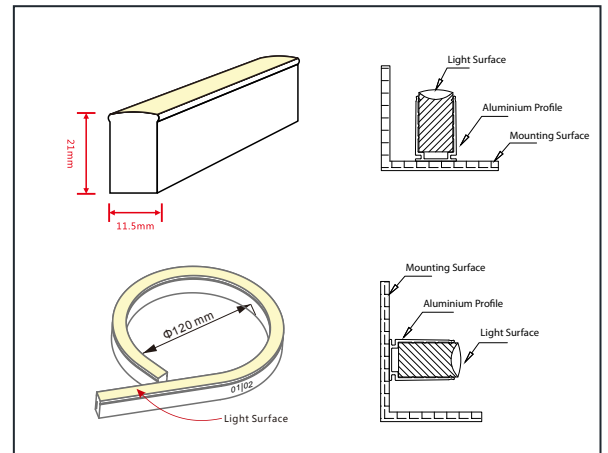
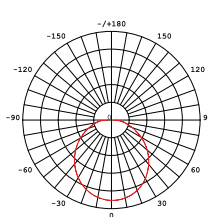
Blue - 151 Lm/Metre

R+G+B (white) - 110 Lm/Metre

## Mounting Options

Aluminium Channel - Length 1,000mm

Candle power distribution



## Injection-moulded Connector

Note: Unless otherwise stated, the tolerance of the connector is ±0.5mm.



Injection-moulded Front Connector (rear)

Connects light to power supply with pre-installed bottom feed cable, IP68. Cable length available in 0.3m, 1m, 3m.



Injection-moulded Front Connector (side - L or R)

Connects light to power supply with pre-installed side feed cable, IP68. Cable length available in 0.3m, 1m, 3m.



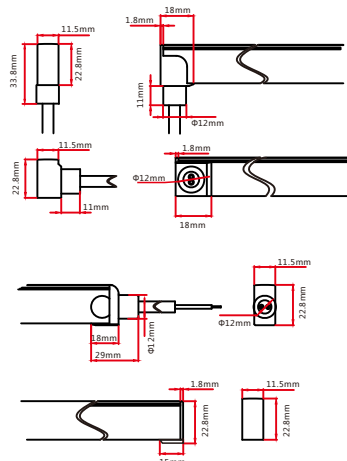
Injection-moulded Front Connector (end)

Connects light to power supply with pre-installed end feed cable, IP68. Cable length available in 0.3m, 1m, 3m.



Injection-moulded End Cap

Pre-installed termination protection of the light, IP68.



## PRODUCT CODE BUILDER

NLTRGB - 5M

Roll Size  
5 Metre - 5M  
10 Metre - 10M

XULUX Pty Ltd  
14/388 Newman Road Geebung Qld 4034  
P 07 3172 7131 F 07 3161 5598  
E sales@xulux.com.au  
W www.xulux.com.au

Specifications are subject to change without notice  
NEOLEDNLTRGBRX4

**XULUX**  
LED LIGHTING SOLUTIONS