

Neoled™ Side RGB

Architectural Flexible Linear LED Neon



IP68
Protection



160 Beam
Angle



IK08
Protection



300mm
Bend



3
year
Warranty



Solvent
Resistant



Flame
Resistant



UV
Resistant



Saltwater
Resistant

Optics

Flat Top 160° Beam Angle (160° Viewing)

Control Options (with suitable Driver)

DALI, DSI, 1-10vdc, DMX and Switched

LED Colour Options

RGB

IP Rating

IP68

LED Wattage/Voltage

RGB - 12.0 watts p/mtr 24VDC

Lumen Output

Red - 40 Lm/Metre

Green - 120 Lm/Metre

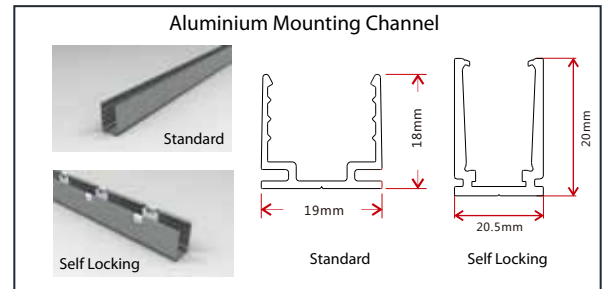
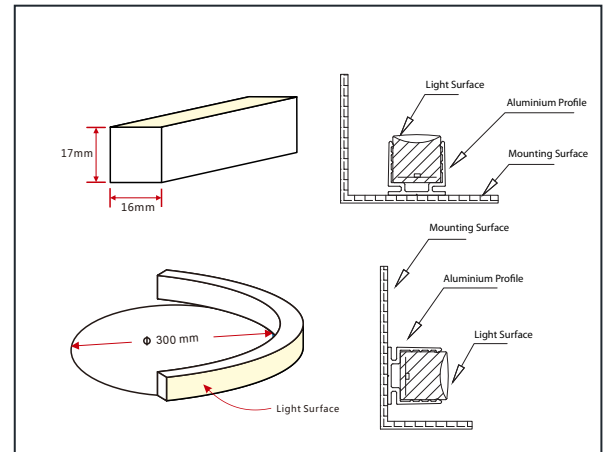
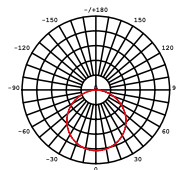
Blue - 16 Lm/Metre

R+G+B (white) - 176 Lm/Metre

Mounting Options

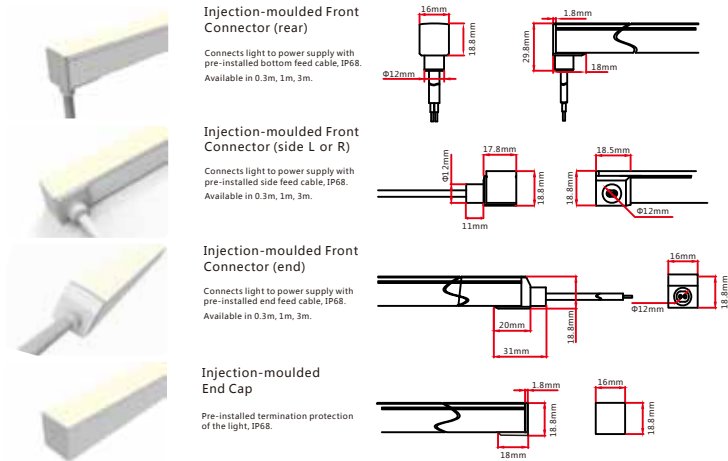
Aluminium Channel - Length 1,000mm

Candle power distribution



Injection-moulded Connector

Note: Unless otherwise stated, the tolerance of the connector is ±0.5mm.



PRODUCT CODE BUILDER

NLSRGB-5M

Roll Size

5 Metre - 5M
10 Metre - 10M