



# PDEG

Ethernet Gateway

## Flexible Ethernet integration

The Philips Dynalite PDEG provides a multipurpose Ethernet connection to a Philips lighting control system. It supports access to the lighting system via a dedicated Philips app as well as providing a web interface delivering access to the inbuilt timeclock and schedule editor functions. It provides bridging functionality between Ethernet backbone and the DyNet fieldbus devices.

Supplied by:

The Lightmoves logo, featuring the word 'lightmoves' in a white, lowercase, sans-serif font with a colorful rainbow arc above the 'o'. Below the logo is the tagline 'illuminating ideas'. The contact information is presented in a white, sans-serif font on a dark blue background. It includes the Melbourne office phone number (03 9701 2500), the Sydney office phone number (02 9737 8988), the email address (info@lightmoves.com.au), and the website (www.lightmoves.com.au).

**lightmoves**  
illuminating ideas

Melbourne Sydney  
03 9701 2500 02 9737 8988

info@lightmoves.com.au  
www.lightmoves.com.au

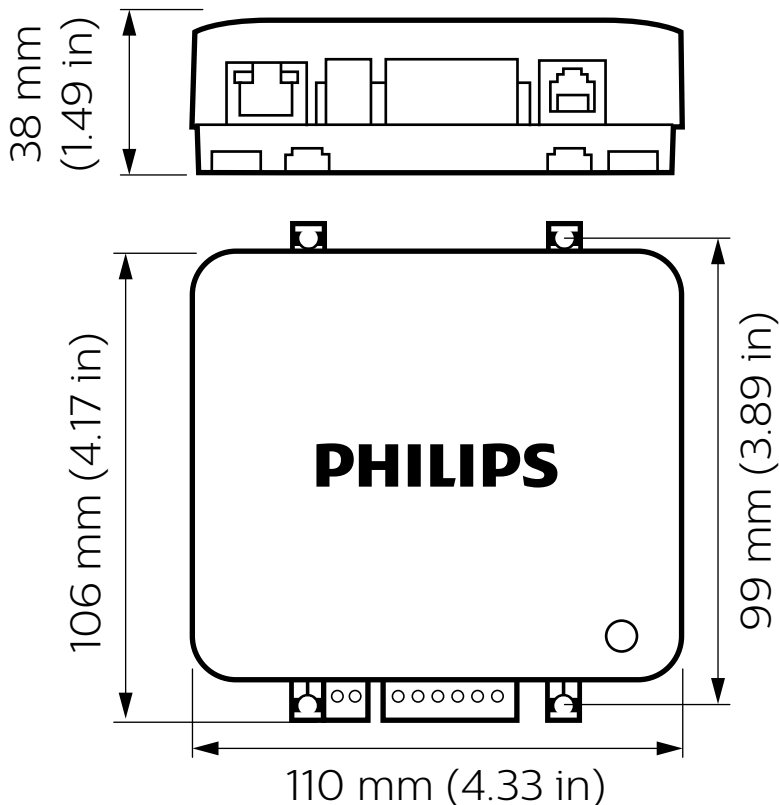
# PDEG

## Flexible Ethernet integration

- **Large storage capacity** – The device stores large project files internally, which apps use to automatically configure their settings. This saves configuration time and ensures accuracy for phone and tablet control.
- **Built-in web server** – Provides control and status via Common Gateway Interface (CGI) protocol. Allows authenticated users to edit and check system settings via the Network Hardware Checker and System Roll Call tools.
- **Network routing** – Routing functionality such as address offset and message filtering and translation
- **Scheduled event management** – Inbuilt timeclock, schedule manager, sunrise/sunset tracking and automatic daylight saving adjustment allow the user to manage operation and task scheduling without advanced technical knowledge.
- **Powerful custom task engine** – Allows users or third-party systems to run macros, such as 'After Hours', 'Shut Down', 'Welcome' and more.
- **Advanced interoperability** – Supports management of Philips Dynalite systems, Philips PoE fittings, and Philips Hue lamps and bridges, on a single system.
- **Third party integration** – Capable of direct communication with specialized hospitality and building automation systems such as VingCard Elsafe, CoolAutomation, Oracle Fidelio, and others.

---

## Dimensions



# Specifications

Due to continuous improvements and innovations, specifications may change without notice.



**PDEG**  
Ethernet Gateway

## Electrical

Supply Type	DyNet or DC*
Supply Voltage	12-24 VDC†
DyNet Supply Current	100 mA @ 12 VDC 50 mA @ 24 VDC
DC Supply Current	300 mA @ 12 VDC 250 mA @ 24 VDC
DyNet DC Output Current‡	200 mA
IEC Overvoltage Category	III

## Control

Communication Ports	1 x RS-485 1 x Ethernet (10/100 baseT)
Supported Protocols	DyNet / DyNet2 DMX TCP/IP (TCP, UDP, IPv4/IPv6) HTTP / FTP / CGI / Telnet
Dry Contact Inputs	1 (AUX)
Storage Capacity	16 MB XML file storage max (28-day rolling network log)
User Input	1 x service switch
Indicators	1 x service LED 2 x Ethernet status LED

## Physical

Dimensions (H x W x D)	97 x 110 x 38 mm (3.82 x 4.33 x 1.50 in)
Packed Weight	0.21 kg (0.46 lb)
Construction	Low profile DIN-rail polycarbonate (6 unit)
Communication Ports	1 x RJ45 1 x RJ12 1 x 6-way pluggable screw terminal
Communication Terminal Conductor Size	2.5 mm² (#12 AWG) (max)
Supply Terminals	1 x 2-way pluggable screw terminal
Supply Terminal Conductor Size	2.5 mm² (#12 AWG) (max)

## Environment

Operating Temperature	-20° to 50°C ambient (-4° to 122°F)
Storage/Transport Temperature	-25° to 70°C ambient (-13° to 158°F)
Relative Humidity	0 to 90% non-condensing
IEC Pollution Degree	II

## Compliance

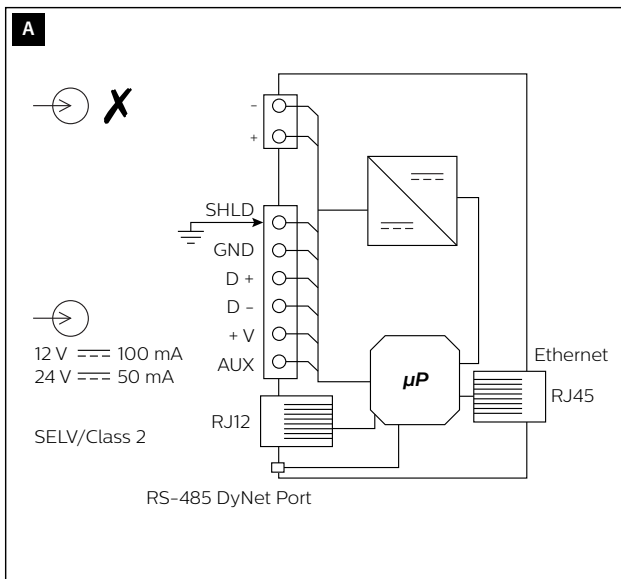
Certification	CE, RCM, UL/cUL, FCC, ICES, RoHS
---------------	----------------------------------

\* From external regulated SELV / Class 2 supply  
 † Power supply voltage shall match network voltage  
 ‡ If powered by external SELV / Class 2 supply

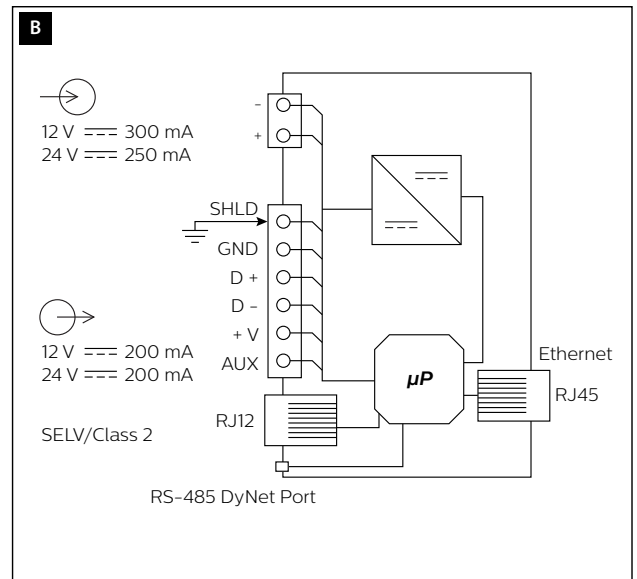


# Electrical

## SELV/CLASS 2 external supply



## DyNet supply



## Ordering Code

### Product

PDEG

### Philips 12NC

913703013809

### Accessories

DDNP1501  
(12 VDC network power supply)

913703090309

DMNP24040-P-NA  
(24 VDC network power supply)

913703580309

