

The DUS804C-UP is a 360° ceiling surface mounted sensor that combines Ultrasonic (UP) Passive Infra Red (PIR) motion detection, ambient light level detection (PE) and infra red remote control reception (IR) in the one device. In applications such as office buildings, lecture theatres, and homes, the DUS804C-UP universal sensor can be utilised to detect motion within its scan area to trigger a programmed action with the lighting. When the DUS804 has detected a room is unoccupied for a set time, lights can be automatically dimmed or switched off to provide energy savings. The same sensor provides IR control reception to enable full remote control over lights, audio-visual equipment and blinds. A range of hand held infra-red transmitters to complement series of universal sensors are available. In situations where it is critical to maintain precise lighting control for large workspaces such as open office floor plan, the DUS804C facilitates light compensation in an automatic "Daylight Harvesting" mode for energy savings.

technical data **]]**



DUS804C-UP with surface mounting

**Motion Detection**

PIR:

Maximum detection range: 5.0m  
 Detection area: 7.4m x 5.6m ellipse (at a height of 2.5m)  
 Detection speed: 1.0m/s  
 Detection object: 700mm x 500mm  
 Detection zones: 64  
 LED activation indicator  
 Adjustable Pulse Count & Sensitivity  
 Sensor: Quad element pyro-electric  
 R.F.I. Immunity: >15V/m @ 10-1000MHz

Ultrasonic:

Normal motion detection area: 8m x 16m (128m<sup>2</sup> coverage)  
 Slight motion detection area: 4m x 12m (48m<sup>2</sup> coverage)  
 Transducer pairs: 2  
 Operating frequency: 32KHz

**PE Cell**

5 - 500 lux (incident on sensor)  
 5 - 5000 lux (illumination of non-reflective surface in sensor's field of view)  
 Note: Value subject to the reflectance properties of the surface  
 Automatic "Daylight Harvesting" mode

**Infra Red Remote Control Receiver**

Range >6m  
 LED activation indicator  
 Can be used with DTK500 series infra red remotes or other learning IR remote controls

**Control IO**

Serial Port – RS485 DyNet  
 IR window used as network sign on

**Terminals**

5 way removable terminal strip,  
 1 x 2.5mm<sup>2</sup> max conductor size

**Controls**

Walk test/IR received LED indicator

**Visible reporting LED's**

Blue = Low network voltage  
 Green = Ultrasonic detection activity  
 Red = PIR detection activity

**DyNet DC Load**

80mA, 12 VDC min

**Configuration**

All functions remotely programmable

**Operating Environment**

0° to 45°C ambient temperature  
 0% to 95% RH non condensing

**Compliance**

CE, C-Tick

**Construction**

ABS plastic enclosure

**Dimensions**

90mm diameter x Depth 26mm (exposed)

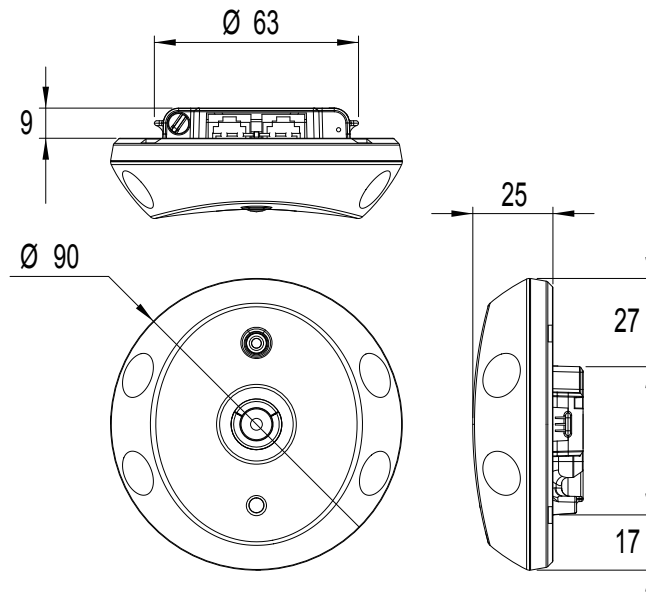
**Mounting**

Recessed spring clip or adjustable surface mounting ring. Sensor shipped with surface mounting ring

**Weight**

Packed weight 0.25kg

mounting dimensions 



coverage 

