

The DUS804C-DALI is a low profile recessed flush mount 360° ceiling mount sensors that combine motion detection (PIR) and ambient light level detection (PE) in the one device. The sensor is powered directly by the DALI network that is running between the DALI light fittings eliminating the need for additional network field wiring. The sensor can only be used when connected with a Philips Dynalite multi master controller such as the DDBC120-DALI unit. In applications such as office buildings, lecture theatres, and homes, the DUS804C-DALI multifunction sensor can be utilised to detect different levels of motion and switch on the lights. The sensor has a detection range of 7.42m x 5.66m area. When rooms are unoccupied the sensor can detect this and the lights can be automatically dimmed or switched off to provide energy savings. The unit also incorporates a segmented click-up bezel surrounding the motion sensor element. This enables a portion of the sensing field to be readily masked to prevent nuisance detection from adjacent doorways or corridors. In situations where it is critical to maintain precise lighting control for individual workspaces, such as an office workstation or even air traffic control centers, the DUS804C-DALI facilitates light compensation. The DUS804C-DALI can also be placed in an automatic “Daylight Regulation” mode for additional energy savings.

technical data 



motion detection masking bezel

Motion Detector

Standard Sensitivity
 Maximum detection range: 5.0m
 Detection Area: 7.4m x 5.6m rectangular
 (at a height of 2.5m)
 Detection speed: 1.0m/s
 Detection object: 700mm x 250mm
 Detection zones: 64
 LED activation indicator
 Sensor: Quad element pyro-electric

PE Cell

5 - 500 lux (incident on sensor)
 5 - 5000 lux (illumination of non-reflective surface in sensor’s field of view)

Note: Value subject to the reflectance properties of the surface

Automatic “Daylight Harvesting” mode

Control Bus

DALI bus with a Philips Dynalite multi master controller.

DALI power consumption

9mA (Total of 10 user interface on one DALI universe)

Terminals

Standard:
 5 way removable terminal strip, loop in loop out
 1 x 1.5mm² max strain relief unit conductor size

Controls

Walk test/LED indicator
 Service Push button.

Configuration

All functions remotely programmable

Operating Environment

0° to 40°C ambient temperature
 0% to 90% RH non condensing

Compliance

CE, C-Tick

Construction

ABS plastic enclosure

Dimensions

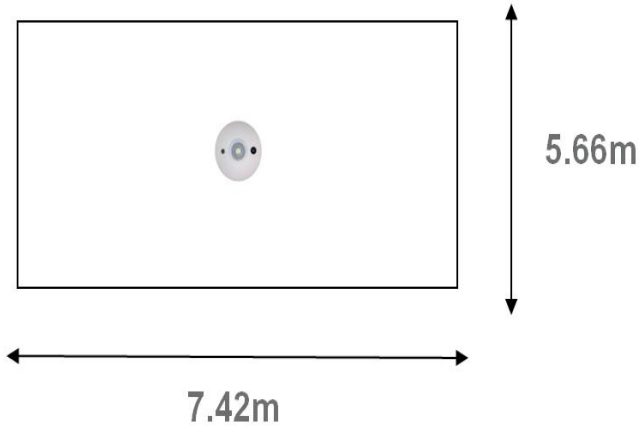
72mm diameter x D 26mm

Weight

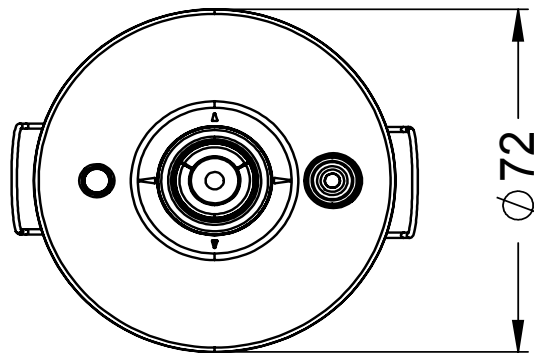
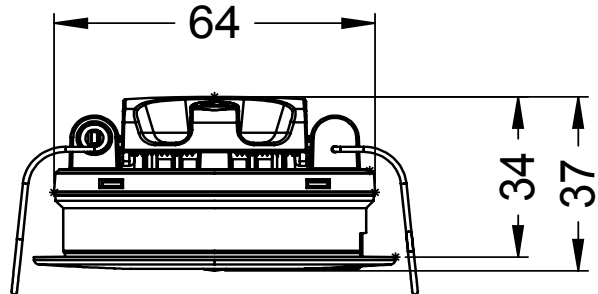
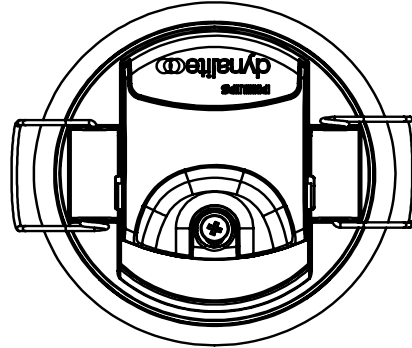
Packed weight 0.116kg

lens pattern - DUS804C-DALI)))

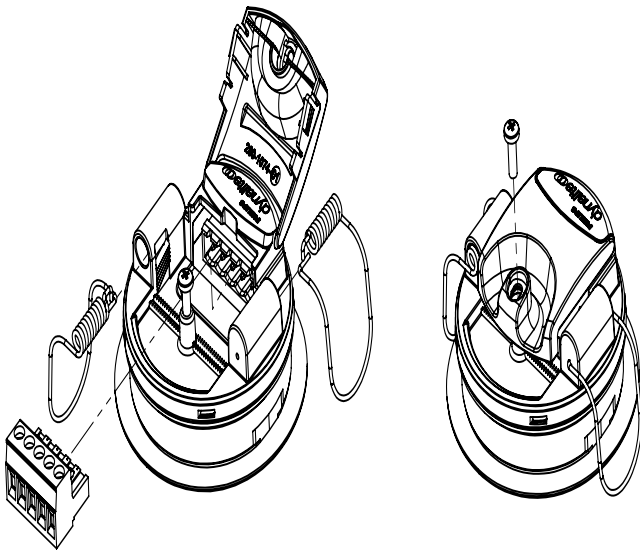
Mounting dimensions)))



Mounting height 2.5m



All dimensions shown in mm



For further information contact:

