



DTK622-232

Serial Port Node

Serial port connection node

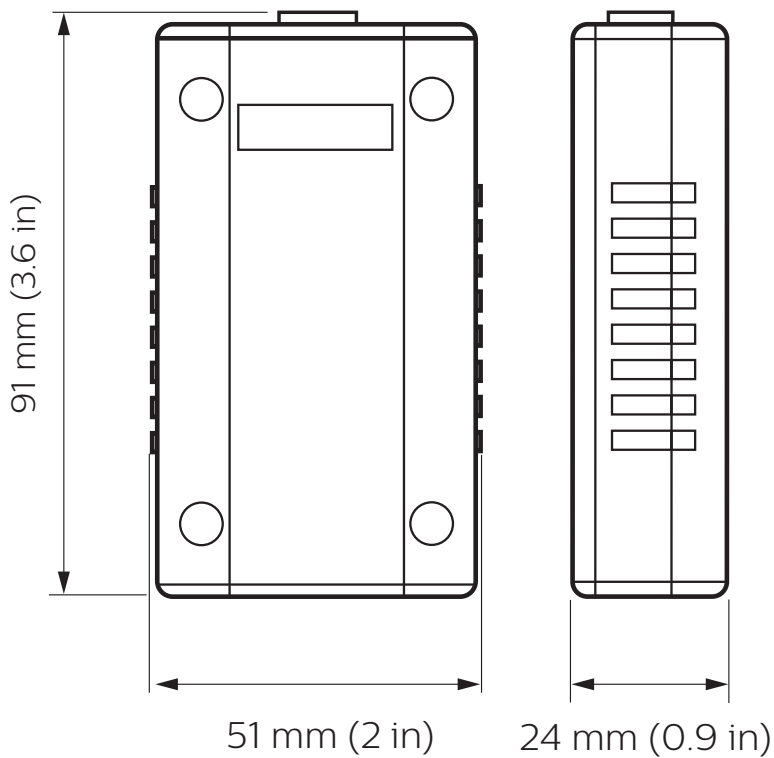
The Philips Dynalite DTK622 is a network gateway that provides passive integration to a PC or RS-232 system.

DTK622-232

Serial port connection node

- **Full duplex integration** – Useful for linking a Philips Dynalite system with an AV or air conditioning system that supports RS-232.

Dimensions



Specifications

Due to continuous improvements and innovations, specifications may change without notice.



DTK622-232
Serial Port Node

Electrical

Supply Type	DyNet
Supply Voltage	12 VDC
Supply Current	20 mA
IEC Overvoltage Category	III

Control

Serial Ports	2 x RS-485 1 x RS-232
Supported Protocols	DyNet
Indicators	1 x DyNet power LED

Physical

Dimensions (H x W x D)	24 x 51 x 91 mm (0.9 x 2.0 x 3.6 in)
Packed Weight	94 g (0.2 lb)
Construction	ABS plastic
Serial Ports	2 x RJ12 1 x D9 Female

Environment

Operating Temperature	0° to 40°C ambient (32° to 104°F)
Storage/Transport Temperature	-25° to 60°C ambient (-13° to 140°F)
Humidity	0 to 90% non-condensing
IEC Pollution Degree	II

Compliance

Certification	CE, RCM, RoHS
---------------	---------------



