

DTK622 network gateway provides passive integration to a PC or a RS232 system.

The DTK622-232 allows for full duplex integration to RS232. Useful for linking the Philips Dyalite system with an AV or airconditioning system that supports RS232 communications.

A DTK622-USB provides a useful interface between any PC and the Philips Dyalite system, The DTK622-USB allows complete access to all network messages present on DyNet. To be used in conjunction with any of the Philips Dyalite software, this tool can be used to commission, diagnose/repair with Envision Project or used as a permanent gateway to the system for the head-end software EnvisionManager.

technical data 



**DTK622-USB**



**DTK622-232**

**Connectors**

DTK622-USB:  
1 x USB type B connector  
2 x RJ12 sockets (RS485 DyNet)

DTK622-232:  
1 x D9 Female socket (RS232)  
2 x RJ12 sockets (RS485 DyNet)

**Operating Environment**

0° to 40°C ambient temperature  
0% to 95% RH non condensing

**Compliance**

CE, C-Tick

**Enclosure**

ABS enclosure

**Dimensions**

H 25mm x W 50mm x D 90mm

**Weight**

Packed weight 0.94kg

**Supplied with**

DTK622-USB:  
1 x USB cable, type A to type B  
1 x RJ12 cable  
1 x Dingus

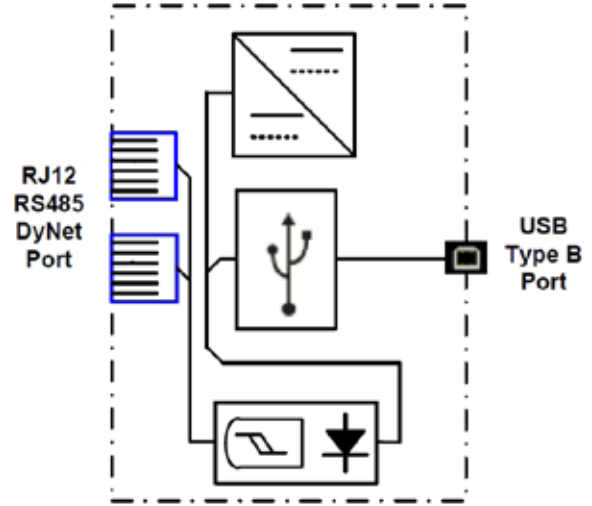
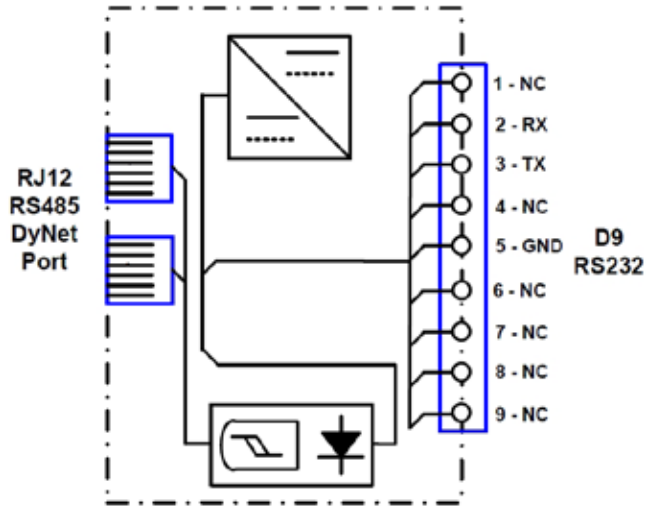
DTK622-232:  
1 x 232 cable male to female connector  
1 x RJ12 cable  
1 x Dingus

options 

DyNet RS485 <-> USB gateway-**USB**  
DyNet RS485 <-> RS232 gateway-**232**

DTK622-232 )))

DTK622-USB )))



RJ12 - 6 Pole wiring )))

