

The DRC1205 is a 12 channel relay controller, with a maximum load of 5A per channel. It is used for switching both lighting and non-lighting loads. In areas where it is beneficial to sequentially switch on large lighting loads, such as factories and indoor sporting arenas, the DRC1205 can be programmed to stagger the switch on of the lights, to minimise peak demand current.

technical data >>>



**Supply**

230V ±14% 50/60Hz 3-Phase  $\lambda$  at 20A per phase  
or  
230V ±14% 50/60Hz Single Phase at 60A

**Outputs**

12 x switched outputs at 5A (total device load is 60A)

**Protection**

3 x 20A 6kA single pole thermal magnetic circuit breakers

**Switching Device**

Relay 10A nom. (resistive)

**Control IO**

1 x RS485 DyNet serial port  
1 x programmable dry contact AUX input

**User Controls**

Service Over-ride switch - All channels to 100%  
Diagnostic LED

**Internal Controls**

Programmable Logic Controller  
Philips Dynamalite Accessory Module enabled

**DyNet DC Supply**

12V @ 120mA (supply for approx. 6 panels)

**Preset Scenes**

120

**Supply Terminals**

L1, L2, L3, N  
1 x 10mm<sup>2</sup> max conductor size

**Output Terminals**

Line, Neutral for each channel  
2 x 4mm<sup>2</sup> max conductor size  
Earth Link bar provided

**Cable Entries**

Mains – 1 x 75mm x 53mm removable gland plate  
Data – 1 x 25mm dia. knockout

**Diagnostic Functions**

Device Online/Offline status

**Compliance**

CE, C-Tick

**Operating Environment**

0° to 50°C ambient temperature  
0% to 95% RH non condensing

**Construction**

Alloy/Steel wall mount case with epoxy finish

**Dimensions**

H 450mm x W 225mm x D 75mm  
(excludes wall brackets)

**Weight**

Packed weight 4.8kg

load compatibility >>>

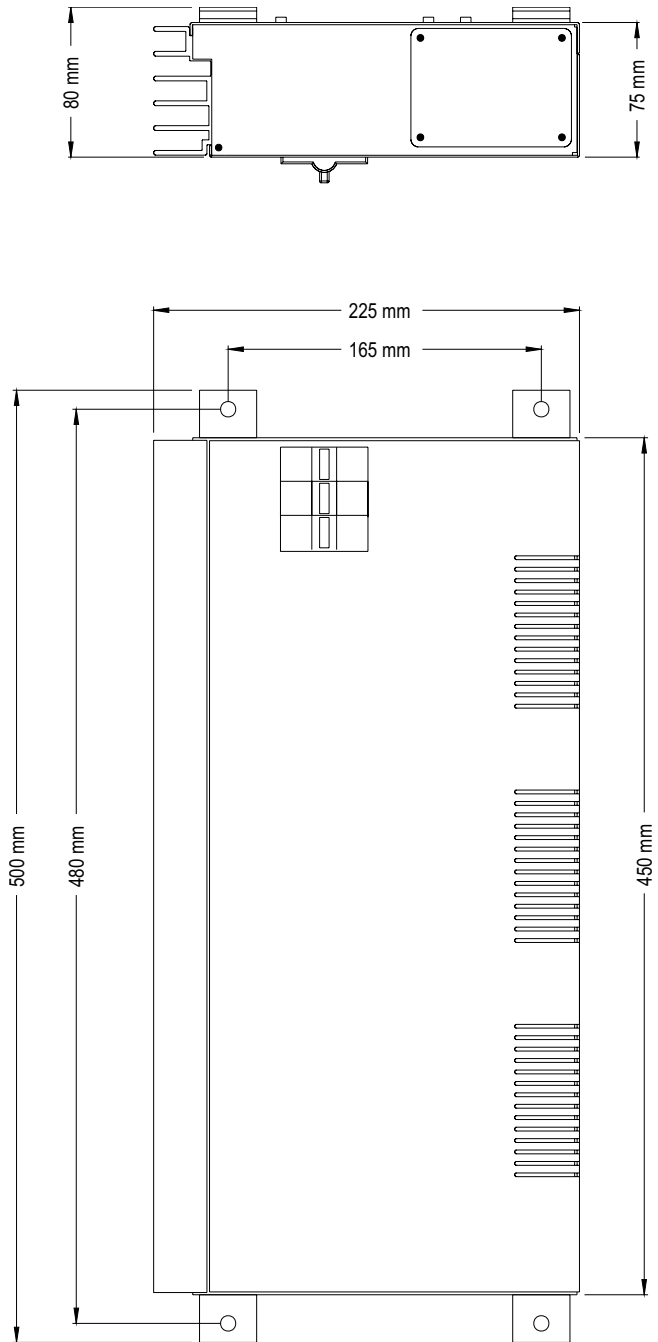
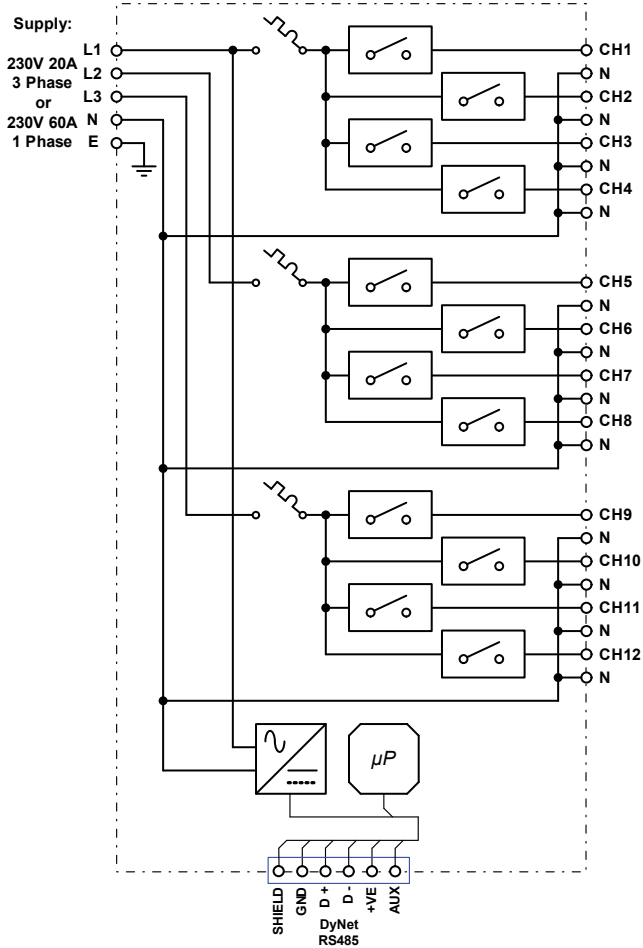
All switched loads up to 5A

options >>>

Extra RS485 DyNet/DMX512 port -A  
Combined MCB and RCD internal protection fitted – **RCBO**

electrical diagram )))

mounting dimensions )))



For further information contact:

