



DPMI940-DALI

Dry Contact Interface

Four-way DALI dry contact interface

The Philips Dynalite DPMI940-DALI is a four-channel input dry contact interface, designed to allow mechanical and electronic switches to interface directly with a Philips Dynalite MultiMaster controller on the DALI bus.

Supplied by:

The Lightmoves logo, featuring the word 'lightmoves' in white with a colorful rainbow arc over the 'o', and the tagline 'illuminating ideas' below it. Contact information for Melbourne and Sydney is provided, along with the company's email and website.

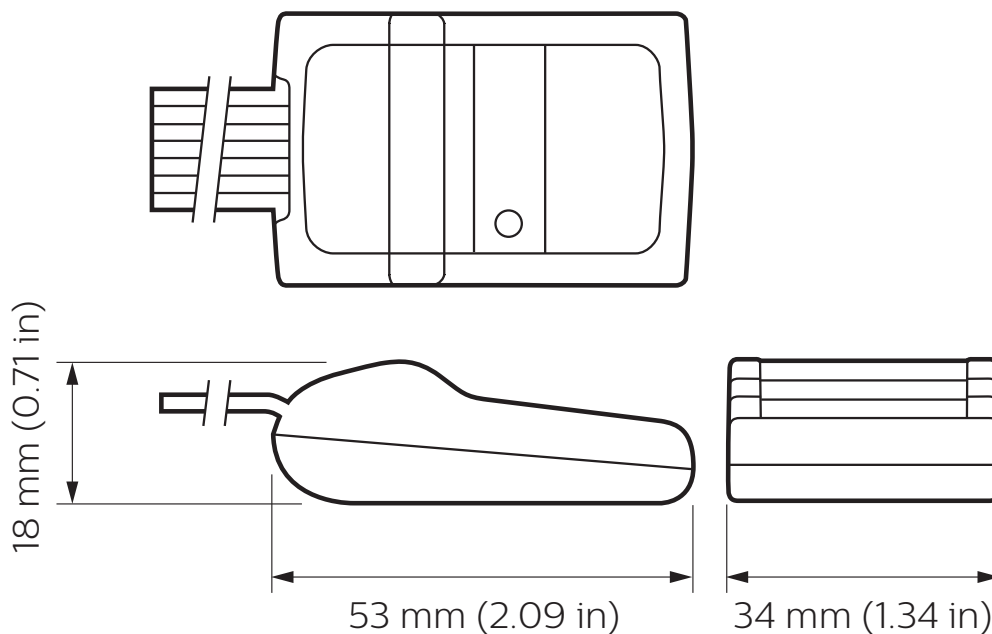
Melbourne **Sydney**
03 9701 2500 02 9737 8988
info@lightmoves.com.au
www.lightmoves.com.au

DPMI940-DALI

Four-way DALI dry contact interface

- **Fully programmable** – Each individual input is fully software programmable over the DALI network, allowing for multiple functions to be performed such as select lighting scene, room join or toggle lighting on/off.
- **Powered from the DALI network** – Eliminates the need for any additional network field wiring.
- **Compact size** – Inputs are presented on flyleads, making the device suitable for installation behind multi-gang switch grids.
- **Simple dry contact interface** – Can be used for low level integration to third party systems such as security and air conditioning so that the lighting can be coordinated together with other services found within a project.

Dimensions



Specifications

Due to continuous improvements and innovations, specifications may change without notice.



DPMI940-DALI
Dry Contact Interface

Electrical

Supply Type	DALI
Supply Voltage	9.5-22.5 VDC
Supply Current	9 mA
IEC Overvoltage Category	III

Control

Communication Ports	1 x DALI
Supported Protocols	DALI MultiMaster
Dry Contact Inputs	4

Physical

Dimensions (H x W x D)	18 x 34 x 53 mm (0.71 x 1.34 x 2.09 in)
Flylead Length	165 mm (6.50 in) (with bootlace terminals)
Packed Weight	50 g (0.11 lb)
Construction	ABS enclosure
Communication Ports	2 x flylead
Dry Contact Terminals	5 x flylead

Environment

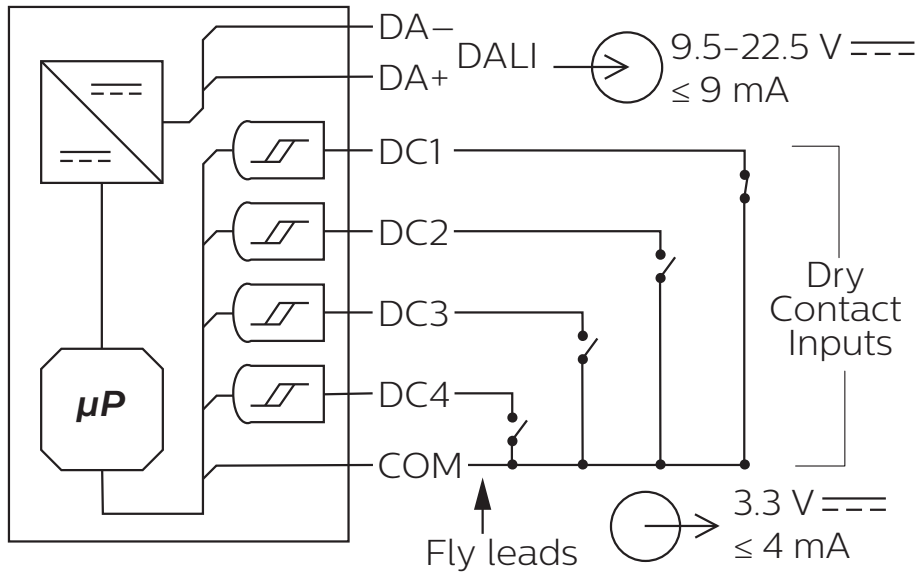
Operating Temperature	0° to 40°C ambient (32° to 104°F)
Storage/Transport Temperature	-25° to 70°C ambient (-13° to 158°F)
Relative Humidity	0 to 90% non-condensing
IEC Pollution Degree	II

Compliance

Certification	CE, RCM, RoHS
---------------	---------------



Electrical



Ordering Code

Product

DPMI940-DALI

Philips 12NC

913703080609

