



DNG232

RS-232 Network Gateway

Wall mount serial port integration

The Philips Dynalite DNG232 network gateway provides cost-effective serial port integration between a DyNet network and third-party systems.

Supplied by:

The Lightmoves logo, featuring the word 'lightmoves' in a lowercase, sans-serif font with a rainbow-colored arc above the 'o'. Below the logo is the tagline 'illuminating ideas'. The contact information is presented in a dark blue box with white text. It includes the Melbourne office phone number '03 9701 2500' and the Sydney office phone number '02 9737 8988'. The email address 'info@lightmoves.com.au' and the website 'www.lightmoves.com.au' are also listed.

Melbourne
03 9701 2500

Sydney
02 9737 8988

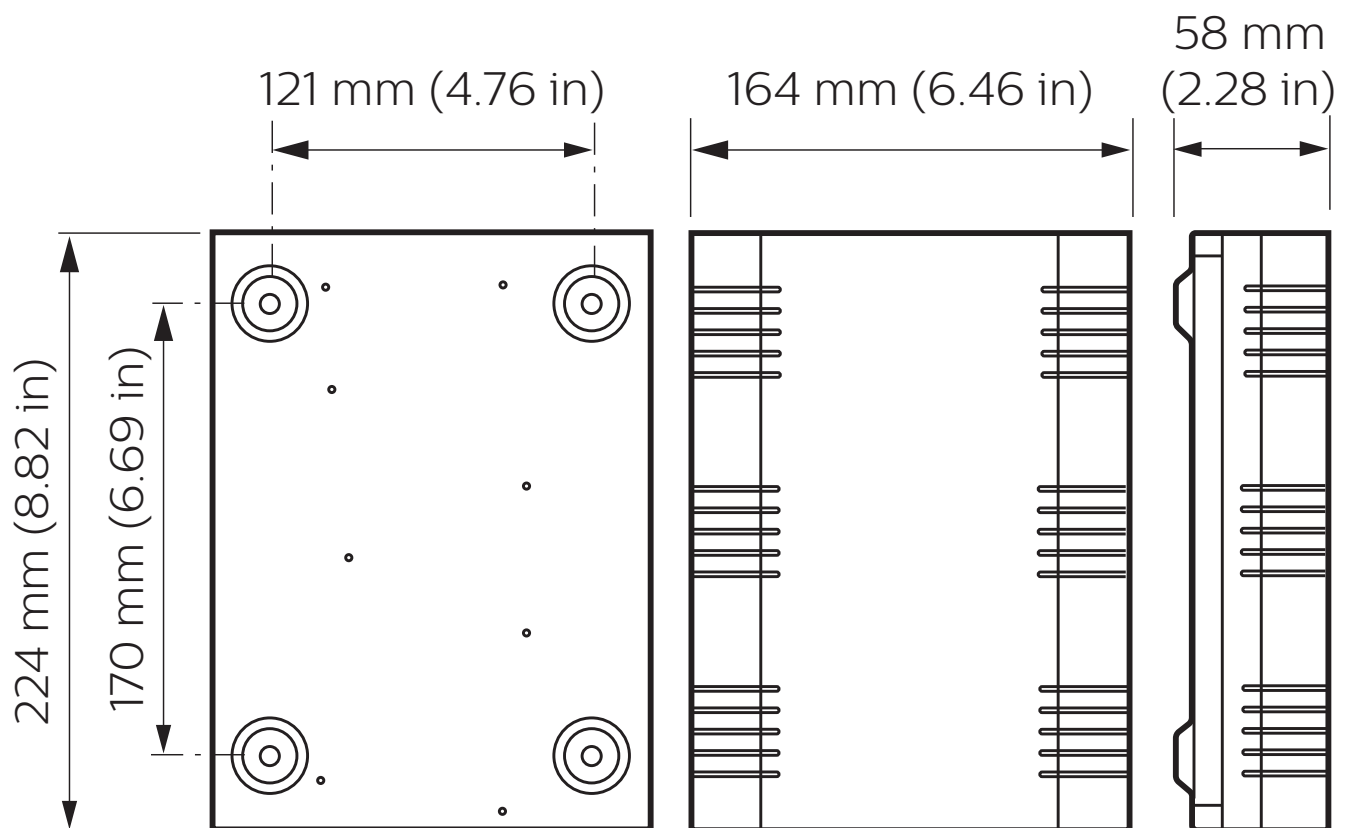
info@lightmoves.com.au
www.lightmoves.com.au

DNG232

Wall mount serial port integration

- **Seamless integration with third-party systems** – Including AV systems, lighting desks, data projectors, HVAC, BMS and security systems.
- **Internal controls** – Programmable logic controller capable of comprehensive conditional and sequential logic and arithmetic function processing.
- **Predefined data format library or create your own** – A library of data formats is available for systems integrators, or can be created using the onboard conditional logic engine to assemble and transmit user-defined data strings.
- **Macro functions available** – To simplify the control of multiple devices.

Dimensions



Specifications

Due to continuous improvements and innovations, specifications may change without notice.



DNG232 RS-232 Network Gateway

Electrical

Supply Type	Single-phase
Supply Voltage	100-240 VAC
Supply Current	100 mA
DyNet DC Output Voltage	12 VDC
DyNet DC Output Current	90 mA
IEC Overvoltage Category	III

Control

Communication Ports	1 x RS-485 1 x RS-232
Supported Protocols	DyNet
RS-232 Port Modes	DTE, DCE (jumper-selectable)
Dry Contact Inputs	1 (AUX)
User Controls	1 x service switch
Indicators	1 x service LED

RS-232 Data Formats

Baud Rate	600 - 250,000
Maximum Packet Length	254 bytes
Data Bits	7/8
Stop Bits	1/2
Parity	Odd/even/none
Flow Control	None/RTS-CTS

Physical

Dimensions (H x W x D)	224 x 164 x 58 mm (8.82 x 6.46 x 2.28 in)
Packed Weight	2.2 kg (4.85 lb)
Construction	Steel wall mount case Epoxy finish
Communication Ports	1 x DB-9 (female) 1 x RJ12 6 x screw terminal
Communication Terminal Conductor Size	2.5 mm ² (#12 AWG) (max)
Supply Terminals	3 x screw terminal
Supply Terminal Conductor Size	4 mm ² (#11 AWG) (max)

Environment

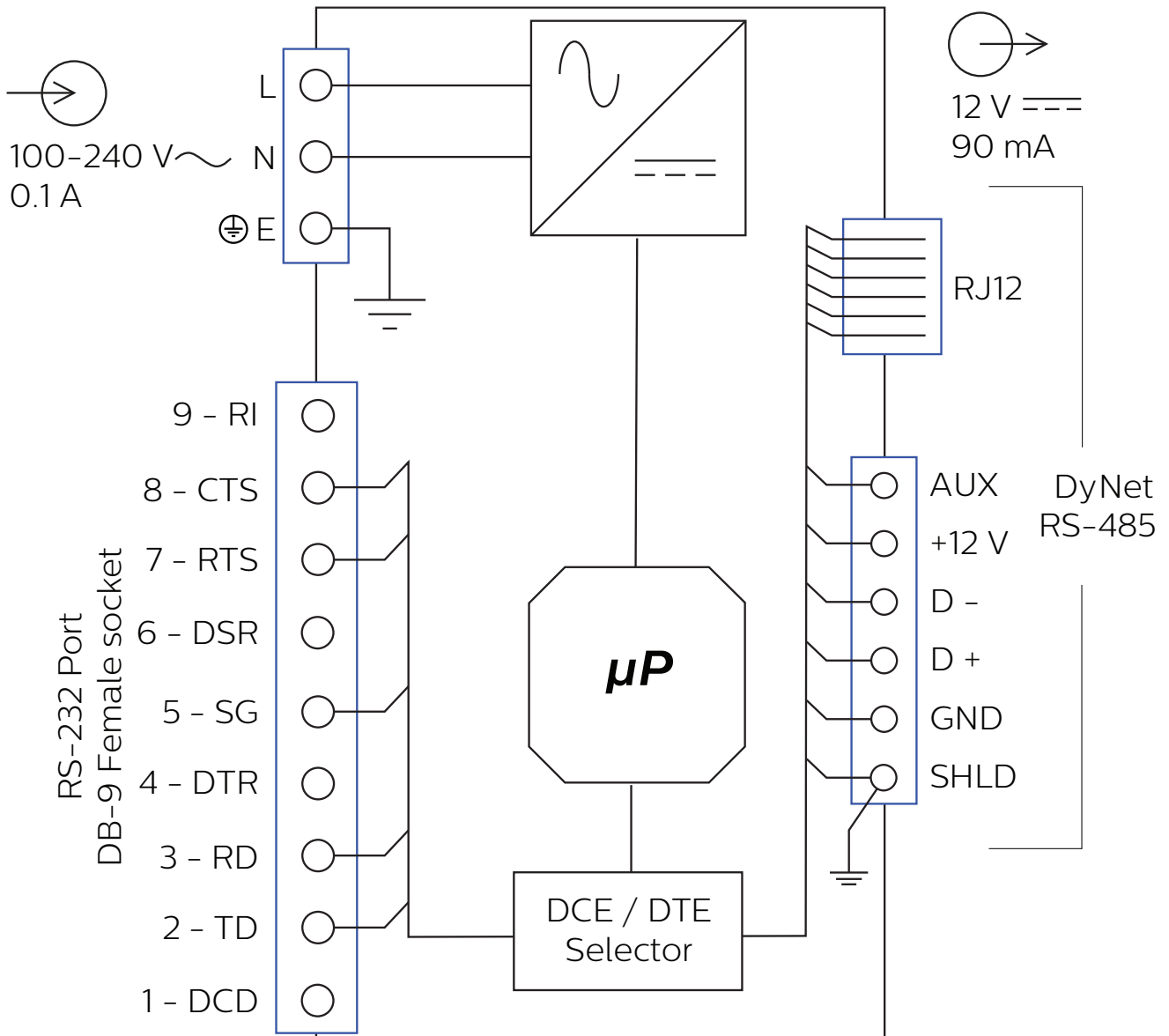
Operating Temperature	-0° to 50°C ambient (32° to 122°F)
Storage/Transport Temperature	-25° to 70°C ambient (-13° to 158°F)
Humidity	0 to 95% non-condensing
IEC Pollution Degree	III

Compliance

Certification	CE, RCM, RoHS
---------------	---------------



Electrical



Ordering Code

Product

DNG232

Philips 12NC

913703082109

