



DMRC210

Relay Controller

Luminaire mounted control of switched loads

The Philips Dynalite DMRC210 is a two-channel device that provides intelligent networked control of individual luminaires. The compact design enables mounting directly within the gear enclosure of many lighting fixtures.

Supplied by:

The image shows the Lightmoves logo, which consists of the word 'lightmoves' in white lowercase letters with a colorful rainbow arc above the 'o'. Below the logo is the tagline 'illuminating ideas'. At the bottom, there are contact details for Melbourne and Sydney, including phone numbers, an email address, and a website URL.

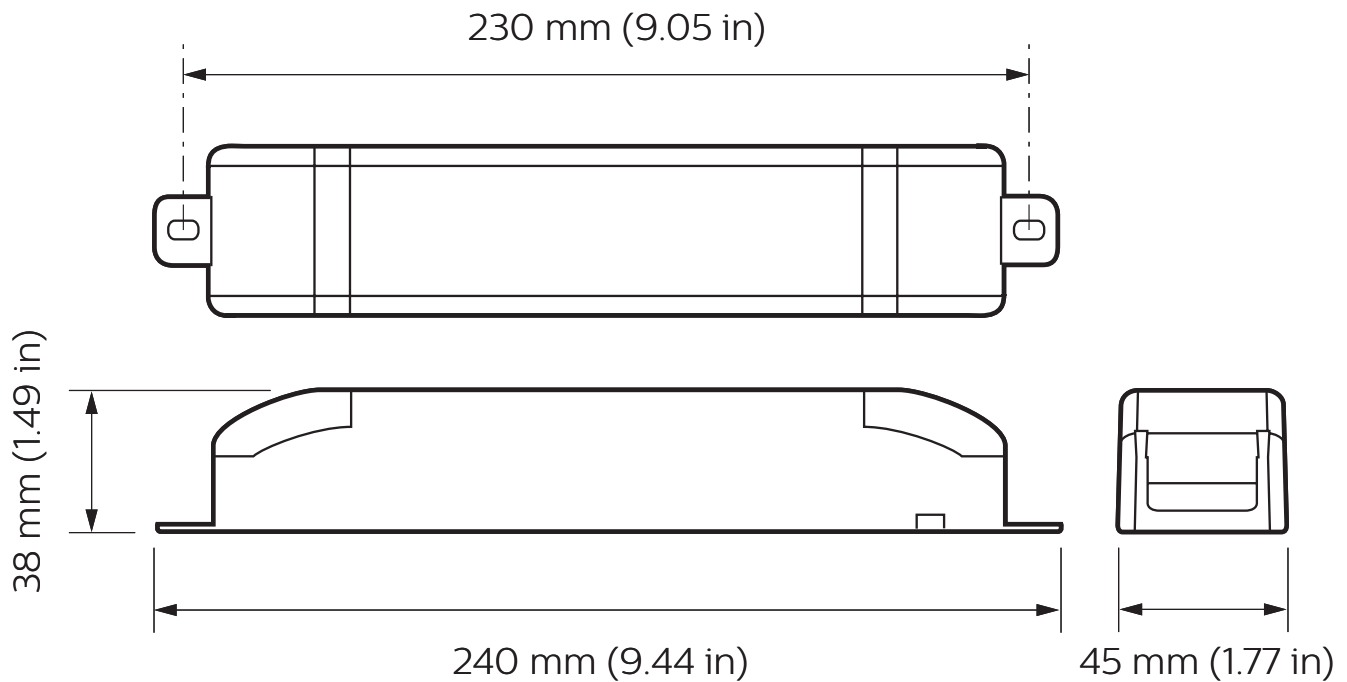
Melbourne **Sydney**
03 9701 2500 02 9737 8988
info@lightmoves.com.au
www.lightmoves.com.au

DMRC210

Luminaire mounted control of switched loads

- **Incorporates two relay outputs** – Used to control mains supply to the fixture.
- **Gear enclosure mounting** – Compact design allows the device to be mounted directly within the gear enclosure of many light fittings.
- **Fully rated device** – Robust relays provide reliable control of difficult lighting loads.
- **Inbuilt diagnostic functionality** – Features Device Online/Offline status indication.

Dimensions



Specifications

Due to continuous improvements and innovations, specifications may change without notice.



DMRC210
Relay Controller

Electrical

| | |
|-------------------------|--|
| Supply Type | Single-phase |
| Supply Voltage | 100–240 VAC |
| Supply Current | 20 A |
| Outputs | 2 x switched relay |
| Output Channel Current | 10 A inductive (max) |
| Output Channel Ratings | (See Page 4) |
| DyNet DC Output Voltage | 12 VDC |
| DyNet DC Output Current | 150 mA (supply for approximately 7 user interfaces) |

Control

| | |
|----------------------|------------------------------|
| Serial Ports | 1 x RS485 |
| Supported Protocols | DyNet DMX Rx |
| DMX Rx Channels | 2 |
| Diagnostic Functions | Device online/offline status |

Physical

| | |
|--------------------------------|---|
| Dimensions (H x W x D) | 38 x 240 x 45 mm (1.49 x 9.05 x 1.77 in) |
| Packed Weight | 0.19 kg (0.42 lb) |
| Construction | Double-insulated ABS plastic |
| Serial Port Terminals | 5 x screw terminal |
| Serial Port Conductor Size | 2.5 mm ² (#12 AWG) (max) |
| Supply Terminals | 2 x screw terminal Line In, Neutral |
| Supply Terminal Conductor Size | 5 mm ² (#10 AWG) (max) |
| Load Terminals | 3 x screw terminal Line Out 1, Line Out 2, Neutral |
| Load Terminal Conductor Size | 5 mm ² (#10 AWG) (max) |

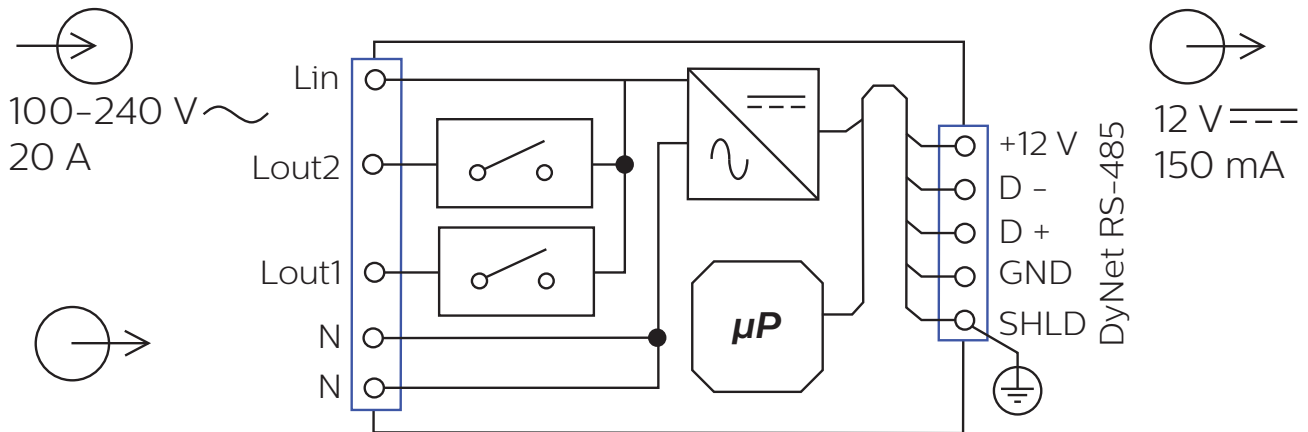
Environment

| | |
|-------------------------------|--------------------------------------|
| Operating Temperature | 0° to 50°C ambient (32° to 122°F) |
| Storage/Transport Temperature | -25° to 70°C ambient (-13° to 158°F) |
| Humidity | 0 to 90% non-condensing |
| IEC Pollution Degree | II |

Compliance

| | |
|---------------|---------------|
| Certification | CE, RCM, RoHS |
|---------------|---------------|

Electrical



Output Channel Ratings

| Load Type | Maximum Rating per Output |
|--------------------|---------------------------|
| | CH1, CH2 |
| General Use | 10 A, 240 VAC |
| Incandescent | 5 A, 240 VAC |
| Electronic Ballast | 3 A, 240 VAC |
| Inrush Current | 165 A |

Ordering Code

Product
DMRC210

Philips 12NC
913703050009

