

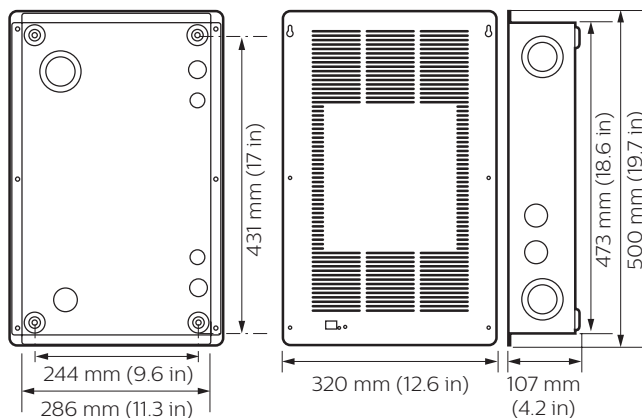


DMC-GRMS-UL General Room Controller

Modular controller for simplified control solutions

The DMC-GRMS-UL is a flexible modular controller designed for use in various room types. Featuring a range of outputs, this compact unit delivers the ultimate in occupant comfort through seamless control of lighting, curtains and blinds, as well as limiting standby current consumption from power outlets.

- Built-in DIP switch — Allows the device's network address to be configured without commissioning software for faster installation.
- Dry contact inputs — The unit receives instructions from voltage-free button presses or a keycard switch within the room.
- 16 A power relay — Enables a total energy management solution, reducing standby power consumption by powering outlets only when required.
- Four control module slots — Provides a tailored combination of forward and reverse phase dimming, 1-10V/DALI Broadcast, and relay/motor control.
- Built-in motor directional relays — Provides control of motorized blinds and curtains.
- Sixteen DMX512 output channels — Caters for situations where color-changing lighting is required as part of overall room ambience.
- Supports two DyNet ports — Can operate as a standalone solution, or integrated with other Dyalite network devices as part of a larger scale system with centralized monitoring and control.



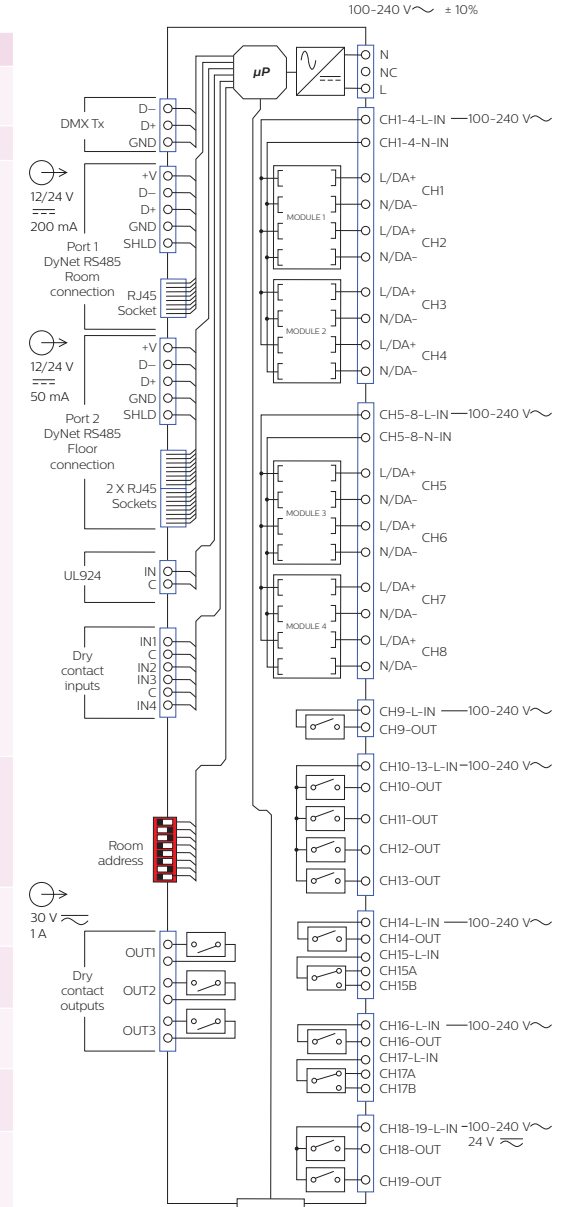
For detailed product information, please refer to the product information pages at www.lighting.philips.com/dynalite and follow the links.

Specifications

Due to continuous improvements and innovations, specifications may change without notice.

Item	Specification	Details														
Electrical	Input Voltage	120/230 VAC +10%/-15%, 50/60 Hz Single Phase, 0.7 A max IEC Overvoltage Category III														
	DyNet DC Supply	12/24 VDC (selectable), 200 mA max														
Electrical	Load Outputs	CHI-4*, CH5-8*: Universal load control module outputs 120/230 VAC 2-5 A per output. CH9, CH10-13**, CH18-19**: <table border="0"> <tr> <td>Load type</td> <td>Maximum ratings</td> </tr> <tr> <td>General use†</td> <td>16 A, 277 VAC</td> </tr> <tr> <td>Incandescent</td> <td>1200 W, 277 VAC</td> </tr> <tr> <td>Electronic ballast</td> <td>5 A, 120 VAC</td> </tr> <tr> <td></td> <td>3 A, 277 VAC</td> </tr> <tr> <td>Standard ballast</td> <td>2 A, 277 VAC</td> </tr> <tr> <td>TV-Rating (UL)</td> <td>TV-8, 120 VAC</td> </tr> </table>	Load type	Maximum ratings	General use†	16 A, 277 VAC	Incandescent	1200 W, 277 VAC	Electronic ballast	5 A, 120 VAC		3 A, 277 VAC	Standard ballast	2 A, 277 VAC	TV-Rating (UL)	TV-8, 120 VAC
		Load type	Maximum ratings													
General use†	16 A, 277 VAC															
Incandescent	1200 W, 277 VAC															
Electronic ballast	5 A, 120 VAC															
	3 A, 277 VAC															
Standard ballast	2 A, 277 VAC															
TV-Rating (UL)	TV-8, 120 VAC															
		CHI4, CHI5, CHI6, CHI7: <table border="0"> <tr> <td>Load type</td> <td>Maximum ratings</td> </tr> <tr> <td>General use †</td> <td>16 A, 277 VAC (N/O only)</td> </tr> <tr> <td></td> <td>4 A, 250 VAC (N/C only)</td> </tr> <tr> <td>Motor</td> <td>0.5 HP, 120 VAC (N/O only)</td> </tr> <tr> <td></td> <td>1 HP, 250 VAC (N/O Only)</td> </tr> </table> <p>* Common feed, 10 A max ** Common feed, 16 A max † Continuous or inrush load ampere rating not exceeding the maximum ampere rating of the device. The load power factor is ≥0.8 (inductive).</p>	Load type	Maximum ratings	General use †	16 A, 277 VAC (N/O only)		4 A, 250 VAC (N/C only)	Motor	0.5 HP, 120 VAC (N/O only)		1 HP, 250 VAC (N/O Only)				
Load type	Maximum ratings															
General use †	16 A, 277 VAC (N/O only)															
	4 A, 250 VAC (N/C only)															
Motor	0.5 HP, 120 VAC (N/O only)															
	1 HP, 250 VAC (N/O Only)															
Control	Control Inputs/Outputs	2 x DyNet RS485 serial ports 1 x DMX Tx port 4 x Dry contact inputs (Non-Isolated) 1 x UL924 emergency input (Non-Isolated) 3 x Dry contact outputs (Isolated)														
	User Controls	Service switch Diagnostic LED														
Physical	Supply/Load Terminals	Screw terminals Conductor size 0.5 mm ² (20 AWG) to 6 mm ² (10 AWG),														
	Dry Contact Input Terminals:	1 x 6-way pluggable screw terminal Conductor size 0.3 mm ² (22 AWG) - 4 mm ² (12 AWG)														
	UL924 Terminals	1 x 2-way pluggable screw terminal Conductor size 0.3 mm ² (22 AWG) - 4 mm ² (12 AWG)														
	DyNet Terminals	2 x 5-way pluggable screw terminals Conductor size 0.3 mm ² (22 AWG) - 4 mm ² (12 AWG) Port 1: 1 x RJ45 socket Port 2: 2 x RJ45 sockets														
	Dry Contact Output Terminals	1 x 6-way pluggable screw terminal Conductor size 0.3 mm ² (22 AWG) - 4 mm ² (12 AWG)														
	Dimensions (H x W x D)	500 x 320 x 107 mm (19.69 x 12.6 x 4.21 in)														
	Packed Weight	5.2 kg (11.5 lbs)														
	Construction	Sheet metal enclosure; front cover powder coated														
	Operating Conditions	Temperature: 0 to 40°C (32°F to 104°F) ambient Humidity: 0 to 90% RH non-condensing IEC Pollution Degree II														
	Storage & Transport	Temperature: -25 to 60°C (-13°F to 140°F) ambient Humidity: 0 to 90% RH non-condensing														
Certification	Certification	CE, RCM, UL/cUL, FCC, ICES-003, RoHS														
Options & Ordering	Standard Product	DMC-GRMS-UL (Philips 12NC - 913703331209)														

Electrical Diagram



Control Modules	Details
DGTM104	(Philips 12NC - 913703260609) (Trailing Edge 1 x 4 A, occupies 1 slot)
DGTM202	(Philips 12NC - 913703260709) (Trailing Edge 2 x 2 A, occupies 1 slot)
DGTM402	(Philips 12NC - 913703027209) (Trailing Edge 4 x 2 A, occupies 2 slots)
DGLM202	(Philips 12NC - 913703260909) (Leading Edge 2 x 2 A, occupies 1 slot)
DGLM402	(Philips 12NC - 913703261009) (Leading Edge 4 x 2 A, occupies 2 slots)
DGLM105	(Philips 12NC - 913703260809) (Leading Edge 1 x 5 A, occupies 2 slots)
DGRM204	(Philips 12NC - 913703261109) (Switched 2 x 4 A, occupies 1 slot)
DGBM200	(Philips 12NC - 913703261209) (Signal Dimming, 2 Channel, occupies 1 slot)

I-10V: 10mA sink/source, ≤10 ballasts per channel
DALI Broadcast / DSI: 13VDC 10mA nom, 250mA max - ≤5 ballasts per channel
DALI Insulation System: Basic Supporting Class I / Class 2 wiring



Philips Dynalite
 6 / 691 Gardeners Road
 Mascot, NSW 2020
 Australia
 tel: +61 2 8338 9899
 dynalite.info@philips.com
 www.lighting.philips.com/dynalite

Philips Lighting North America Corporation
 200 Franklin Square Drive, Somerset, NJ 08873
 Tel. 855-486-2216

Philips Lighting Canada Ltd.
 281 Hillmount Rd, Markham, ON, Canada L6C 2S3
 Tel. 800-668-9008
 www.lighting.philips.com/main

Specifications subject to change without notice. © WMGD Pty Ltd Trading as Dynalite. Unit 6, 691 Gardeners Road Mascot 2020 Australia. ABN 33 097 246 921. All rights reserved. Dynalite, DyNet and associated logos are the registered trademarks of WMGD Pty Ltd. Not to be reproduced without permission.