

The DMAL120F is designed to provide an active load for leading edge dimmer channels that are being used for the control of LED / CFL fittings. By using the DMAL120F connected as parallel or an inline device between a leading edge dimmer channel output and the LED / CFL lighting groups, can produce an improved dimming performance. The DMAL120F allows the continuing use of leading edge dimming system while using more efficient LED / CFL lamps.

The compact design enables the unit to be mounted directly within the same enclosure as the dimmer or in the field with the LED lighting groups. Each DMAL120F feed through current rating of 20A makes it suitable for a variety of leading edge TRIAC/ SCR dimmers, rated from 1A to 20A. This unit cannot eliminate flicker of LED if the mains supply is unstable.

technical data 



Active Load input

110 - 240V 50/60Hz Max. 20A
feedthrough single phase from TRIAC/
SCR Leading edge dimmer only.

Connection Terminals

2 x Line & Neutral
1 x 2.5mm² max conductor size

Ambient Operating Temp

0-50°C max

Compliance

CE, C-Tick

Enclosure

Poly Carbonate

Dimensions

L 240mm x W 45mm x D 38mm

Weight

Packed weight 0.16kg

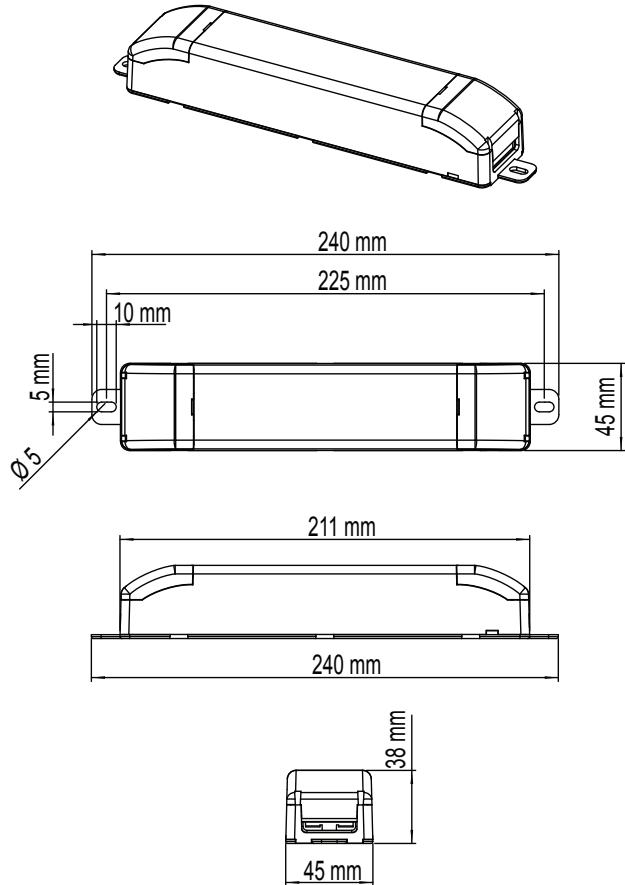
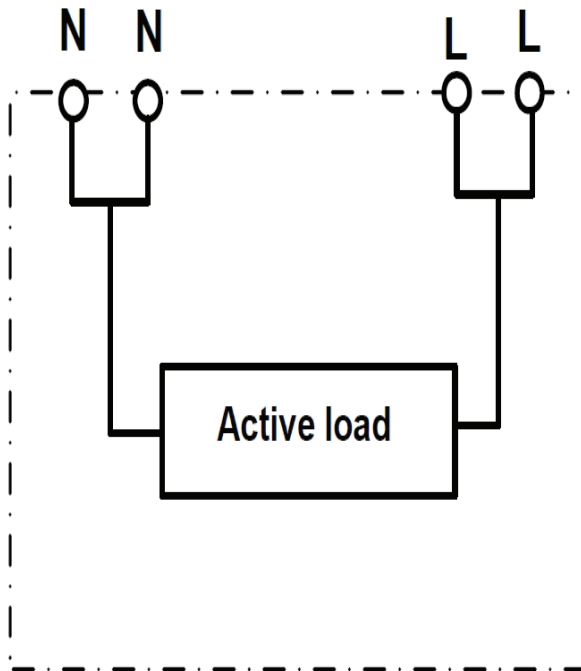
Compatability 

LED & CFL fittings

electrical diagram >>>

mounting dimensions >>>

Active Load:
110V - 240V 50/60Hz
TRIAC / SCR LEADING EDGE DIMMER
Max 20A



For further information contact:

