

# DLLI8180

Dry Contact Interface

## Eight-way dry contact interface

The Philips Dynalite DLLI8180 is an eight-way dry contact interface with LED indicator outputs, that allows mechanical and electronic switches to communicate directly to the DyNet network.

Supplied by:

The Lightmoves logo, featuring the word 'lightmoves' in a white, lowercase, sans-serif font with a colorful circular graphic element. Below the logo is the tagline 'illuminating ideas'. The contact information is provided for Melbourne and Sydney, including phone numbers, email, and website.

**lightmoves**  
illuminating ideas

**Melbourne**  
03 9701 2500

**Sydney**  
02 9737 8988

info@lightmoves.com.au  
www.lightmoves.com.au

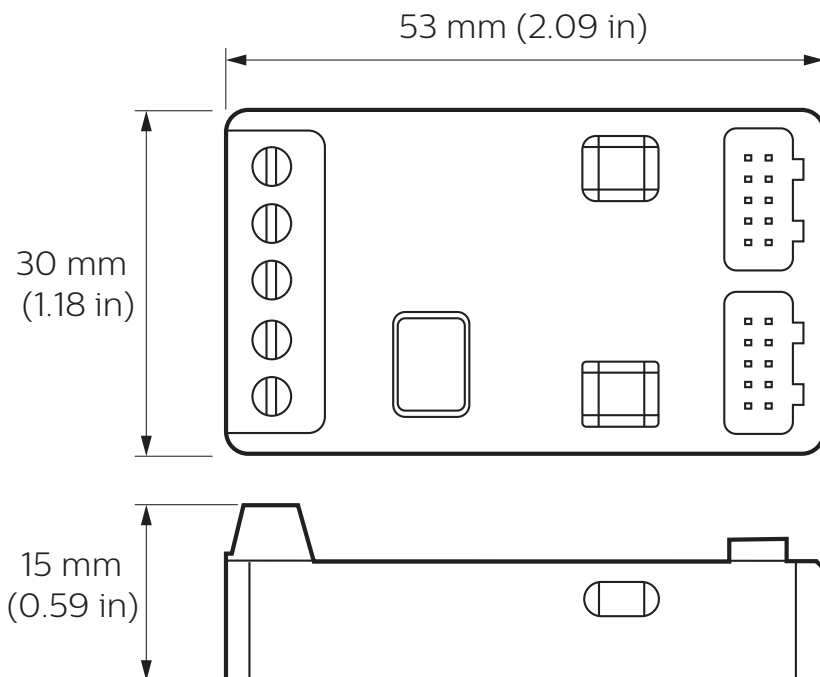
# DLLI8I8O

## Eight-way dry contact interface

- **Compact size** – Allows installation in electrical wall boxes for easy integration with third-party user interfaces.
- **Eight dry contact inputs** – Each dry contact trigger is individually programmable for a range of tasks.
- **Eight indicator outputs** – Each output is individually programmable to drive an external LED indicator sharing a common cathode, communicating current system status or settings.
- **Allows up to 20 m cable runs** – Enables convenient connection to dry contact interfaces in multiple rooms.

---

## Dimensions



# Specifications

Due to continuous improvements and innovations, specifications may change without notice.



**DLLI8180**  
Dry Contact Interface

## Electrical

Supply Type	DyNet
Supply Voltage	12-24 VDC
DyNet Supply Current	30 mA
Dry Contact Open Switch Voltage	12 VDC (max)
Dry Contact Closed Switch Current	0.4 mA (max)
LED Output Channels	8
LED Output Channel Current	1.65 mA
IEC Overvoltage Category	III

## Control

Communication Ports	1 x RS-485
Supported Protocols	DyNet
Dry Contact Inputs	8
User Inputs	1 x service switch
Diagnostic Functions	Device online/offline status

## Physical

Dimensions (H x W x D)	53 x 30 x 15 mm (2.09 x 1.18 x 0.59 in)
Flylead Length	150 mm (5.91 in)
Packed Weight	50 g (0.11 lb)
Construction	Plastic housing
Communication Ports	5 x screw terminal
Communication Terminal Conductor Size	1.5 mm <sup>2</sup> (#16 AWG) (max)

## Environment

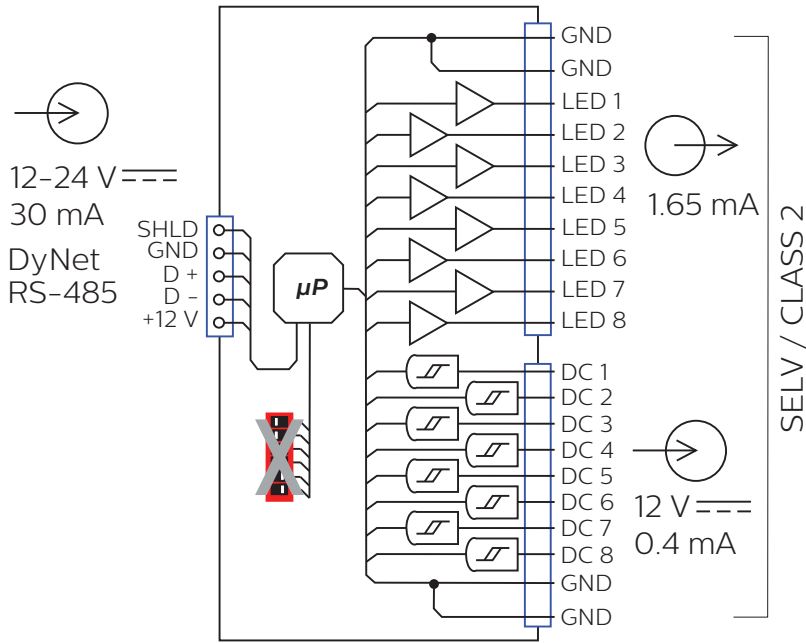
Operating Temperature	0° to 40°C ambient (32° to 104°F)
Storage/Transport Temperature	-25° to 70°C ambient (-13° to 158°F)
Relative Humidity	0 to 90% non-condensing
IEC Pollution Degree	II

## Compliance

Certification	CE, RCM, UL/cUL, FCC, ICES, RoHS
---------------	----------------------------------



# Electrical



## Ordering Code

**Product**  
DLLI8180

**Philips 12NC**  
913703023009

