



DLE1203

Leading Edge Dimmer Controller

Economical direct dimming for a range of lighting loads

The Philips Dynalite DLE1203 is a 12-channel leading edge dimmer controller, with a maximum load of 3 A per channel and a total device load of 32 A. It is suitable for use with incandescent, neon and selected fluorescent lighting, as well as iron core and leading edge electronic transformers.

Supplied by:

The Lightmoves logo features the word 'lightmoves' in white with a rainbow-colored dot over the 'o', and the tagline 'illuminating ideas' below it. Contact information for Melbourne and Sydney is provided, along with an email address and website URL.

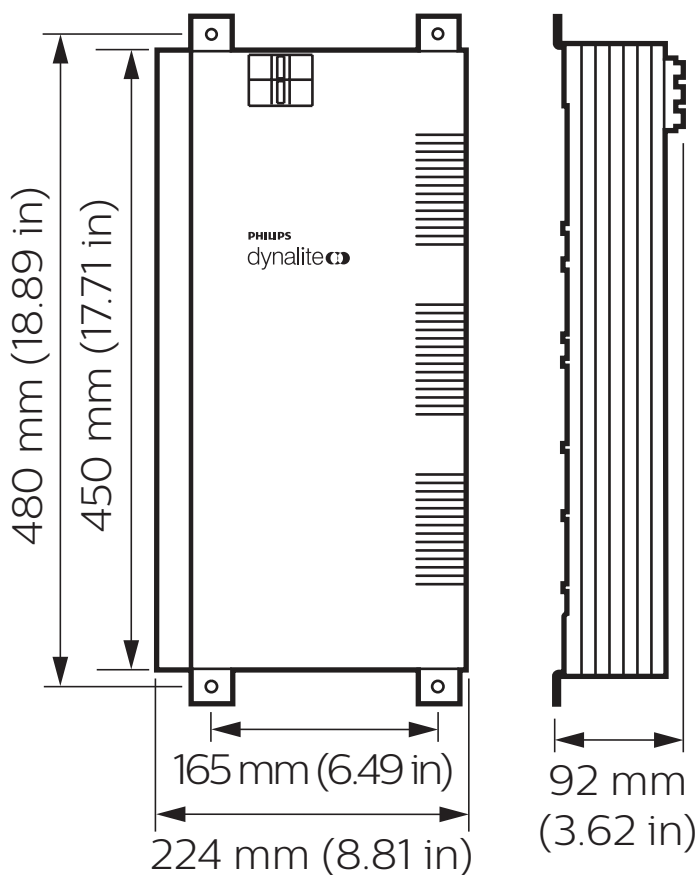
Melbourne 03 9701 2500 **Sydney** 02 9737 8988
info@lightmoves.com.au
www.lightmoves.com.au

DLE1203

Economical direct dimming for a range of lighting loads

- **Interference suppression** – Iron powder core toroidal choke lessens effects of interference from other equipment, such as transformers.
- **Naturally ventilated** – Requires no forced cooling or maintenance.
- **Soft start and voltage regulation technologies** – Protects lamps from over voltage and dramatically improves lamp life, reducing maintenance costs.
- **Diagnostic functionality** – Device Online/Offline status reporting.
- **Option available** – Additional DyNet/DMX512 port.

Dimensions



Specifications

Due to continuous improvements and innovations, specifications may change without notice.



DLE1203 Leading Edge Dimmer Controller

Electrical

Supply Type	Single-phase
Supply Voltage	230 VAC (±14%)
Supply Current	32 A
Outputs	12 x Leading edge dimming
Output Channel Current	3 A
Maximum Group Load	2 x 16 A (CH1-CH6, CH7-CH12)
DyNet DC Output Voltage	12 VDC
DyNet DC Output Current	120 mA
Power Conditioning	Regulated outputs Overvoltage protection Surge protection Brownout / Sag protection Spike protection Soft start 16 bit fade resolution (65,536 steps)
Electrical Protection	2 x 16 A circuit breakers (single-pole thermal magnetic, 6 kA surge)
Regulating Device	Triac (40 A nom., 600 V, 400 A surge)
Interference Suppression	Iron powder toroidal choke
IEC Overvoltage Category	III

Control

Serial Ports	1 x RS485
Supported Protocols	DyNet DMX Rx
DMX Rx Channels	4
Dry Contact Inputs	1 (AUX)
Diagnostic Functions	Device online/offline status
User Controls	1 x service switch
Indicators	1 x service LED

Physical

Dimensions (H x W x D)	450 x 224 x 92 mm (17.72 x 8.82 x 3.62 in)
Packed Weight	6.0 kg (13.23 lb)
Construction	Alloy/steel wall mount case Epoxy finish
Mains Cable Entry	75 x 53 mm removable gland plate
Data Cable Entry	1 x Ø 25 mm knockout
Serial Ports	1 x RJ12 1 x 6-way screw terminal
Serial Port Conductor Size	2.5 mm ² (#12 AWG) (max)
Supply Terminals	2 x screw terminal (Line, Neutral)
Supply Terminal Conductor Size	10 mm ² (#6 AWG) (max)
Load Terminals	4 x screw terminal
Load Terminal Conductor Size	5 mm ² (#10 AWG) (max)
Earth Bar Terminals	5 x screw terminal
Earth Bar Terminal Conductor Size	1 x 16 mm ² (#6 AWG) (max) 4 x 5 mm ² (#10 AWG) (max)

Environment


Operating Temperature	0° to 40°C ambient (32° to 104°F)
Storage/Transport Temperature	-25° to 70°C ambient (-13° to 158°F)
Humidity	0 to 90% non-condensing
IEC Pollution Degree	II

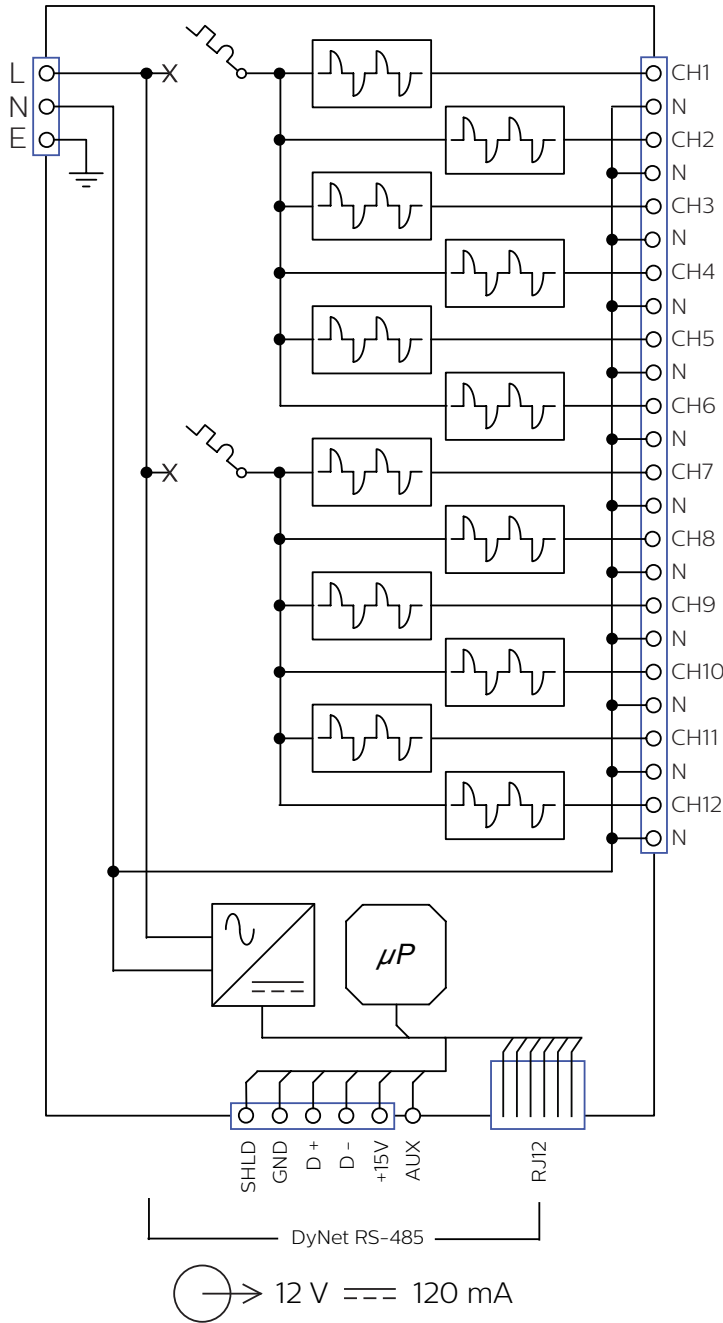
Compliance

Certification	CE, RCM, RoHS
---------------	---------------



Electrical


 1 ~
 230 V 32 A
 ± 14%



Ordering Code

Product

DLE1203 (Standard)

DLE1203-A (Additional RS-485 DyNet/DMX512 port)

Philips 12NC

913703008009

913703008109

