

The DLE120-S is a single channel energy management controller with a maximum load of 20A. It is suitable for the control of large loads including incandescent, low voltage, neon and selected fluorescent light sources. The DLE120-S is designed for applications where lamp life is critical, such as where lamp maintenance is difficult or expensive. It complements Philips Dynamalite's multi-channel dimmers by providing an extra channel when additional load capacity is required.

technical data >>>



**Supply**  
230V ±14% 50/60Hz Single Phase at 20A

**Outputs**  
1 x dimmed output (leading edge phase control) at 20A,

**Protection**  
No internal protection, supply from a 20A circuit breaker.

**Regulating Device**  
Dual SCR's 800V 65A nom. 800A surge

- Power Conditioning**
- Regulated outputs
  - Over voltage protection
  - Surge protection
  - Brownout/Sag protection
  - Spike protection
  - Soft start
  - 16 bit fade resolution (65536 steps)

**Cooling System**  
Naturally ventilated, no forced cooling, no maintenance

**Interference Suppression**  
Iron powder toroidal choke

**Rise Time**  
200µS at 230V

**Control IO**  
1 x RS485 DyNet/DMX512 serial port  
8 x dry contact/0-5V/0-10V analogue  
1 x AUX programmable dry contact input

**User Controls**  
Service/Override Switch  
Diagnostic LED

**DyNet DC Supply**  
12V @ 200mA (supply for approx. 10 panels)

**Preset Scenes**  
170

**Supply Terminals**  
Line, Neutral  
2 x 4mm<sup>2</sup> max conductor size

**Output Terminals**  
Line, Neutral  
2 x 4mm<sup>2</sup> max conductor size  
Earth Link bar provided

**Cable Entries**  
Mains - 1 x 75mm x 53mm removable gland plate  
Data - 1 x 25mm dia. knockout

**Dry Contact Terminal**  
1 x 1mm<sup>2</sup> max conductor size

**Diagnostic Functions**  
Device Online/Offline status

**Compliance**  
CE, C-Tick

**Operating Environment**  
0° to 40°C ambient temperature  
0% to 95% RH non condensing

**Construction**  
Alloy/Steel wall mount case with epoxy finish

**Dimensions**  
H 320mm x W 225mm x D 75mm (excludes wall brackets)

**Weight**  
Packed weight 3.5kg

load compatibility >>>

Incandescent  
Neon

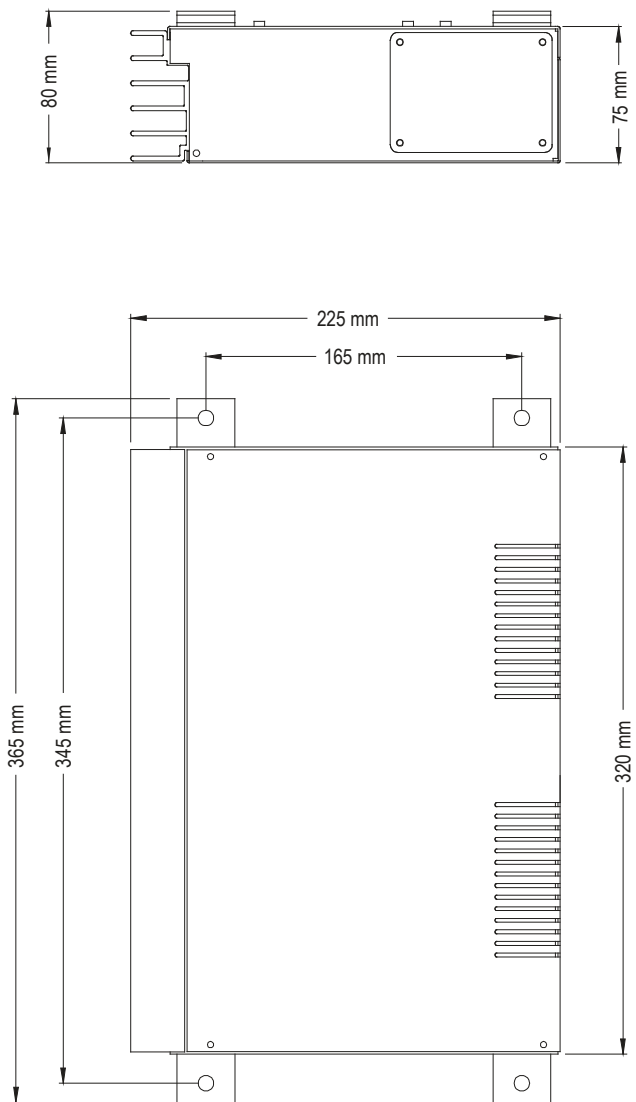
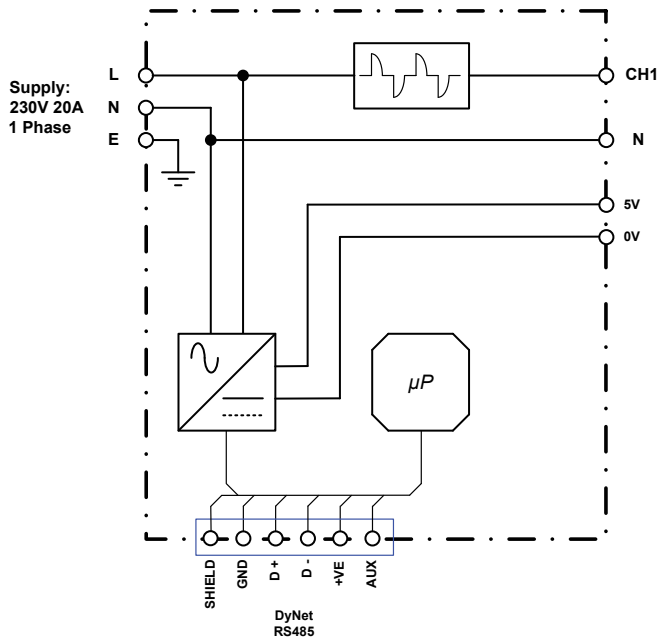
Leading edge electronic transformers  
Iron core transformers

options >>>

Second RS485 DyNet/DMX512 port -A

electrical diagram >>>

mounting dimensions >>>



For further information contact:

