

PHILIPS
dynamalite

Relay Controllers



DDR810DT-GL

Relay Controller

Designed to operate any type of switched load

The Philips Dynalite DDR810DT-GL is ideal for controlling bi-directional motors such as curtains and blinds. This eight-channel device is suitable for any switched load up to 10 A per channel, with a maximum box load of 40 A.

Supplied by:

lightmoves
illuminating ideas

Melbourne
03 9701 2500

Sydney
02 9737 8988

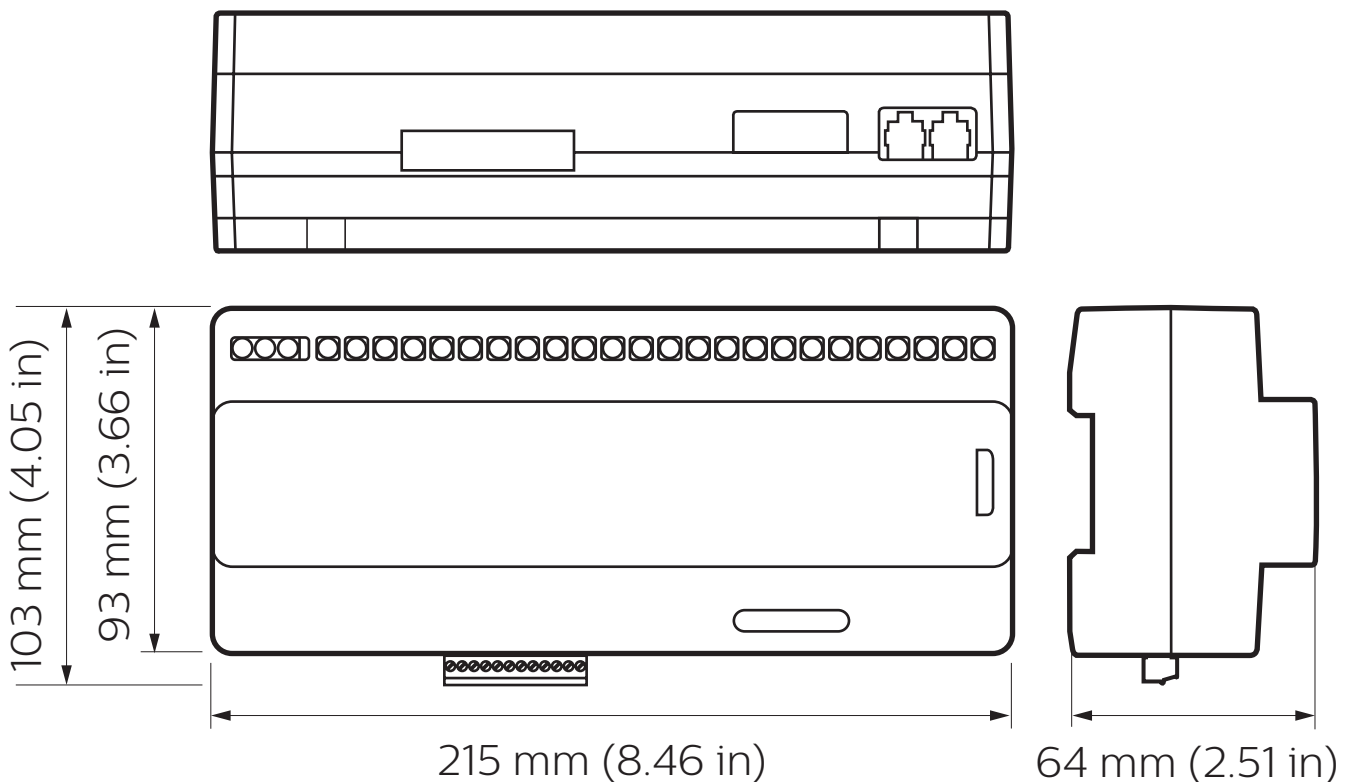
info@lightmoves.com.au
www.lightmoves.com.au

DDRC810DT-GL

Designed to operate any type of switched load

- **Voltage free changeover SPDT output relays** – Perfect for controlling bi-directional motors.
- **Flexible mounting solution** – A DIN-rail mountable device, designed to be installed into the distribution board supplying power to the controlled circuit.
- **Inbuilt diagnostic functionality** – Features circuit run time tracking on each channel.
- **Standalone or networked operation** – Can operate as a discrete standalone unit, or as part of an integrated control system when connected to the DyNet network.
- **Dry contact inputs** – The unit receives instructions from voltage-free button presses.

Dimensions



Specifications

Due to continuous improvements and innovations, specifications may change without notice.



DDRC810DT-GL
Relay Controller

Electrical

Supply Type	Single-phase
Supply Voltage	100–240 VAC
Supply Current	0.25 A
Supply Frequency	50/60 Hz
Outputs	8 x switched SPDT voltage free changeover
Output Channel Ratings	(See Pg 4)*†
Maximum Device Load	40 A
Maximum CH-CH Voltage	400 VAC
DyNet DC Output Voltage	12 VDC
DyNet DC Output Current	120 mA
	(supports approximately 6 user interfaces)

Control

Serial Ports	1 x RS485
Supported Protocols	DyNet, DMX512
DMX Rx Channels	8
Dry Contact Inputs	8 + 1 (AUX)
User Controls	1 x service switch Manual override switch for each channel
Indicators	1 x service LED

Physical

Dimensions (H x W x D)	93 x 215 x 64 mm (3.66 x 8.46 x 2.51 in)
Packed Weight	0.54 kg (1.19 lb)
Construction	Polycarbonate DIN-rail enclosure (12 unit)
Serial Ports	1 x screw terminal 2 x RJ12
Serial Port Conductor Size	2.5 mm ² (#12 AWG) (max)
Supply Terminals	Screw terminal Line, Neutral, Earth
Supply Terminal Conductor Size	5 mm ² (#10 AWG) (max)
Output Terminals	Screw terminal COM, NO, NC
Output Terminal Conductor Size	5 mm ² (#10 AWG) (max)
Maximum Dry Contact Cable Length	20 m

Environment

Operating Temperature	0° to 50°C ambient (32° to 122°F)
Storage/Transport Temperature	-25° to 70°C ambient (-13° to 158°F)
Humidity	0 to 90% non-condensing
IEC Pollution Degree	II

Compliance

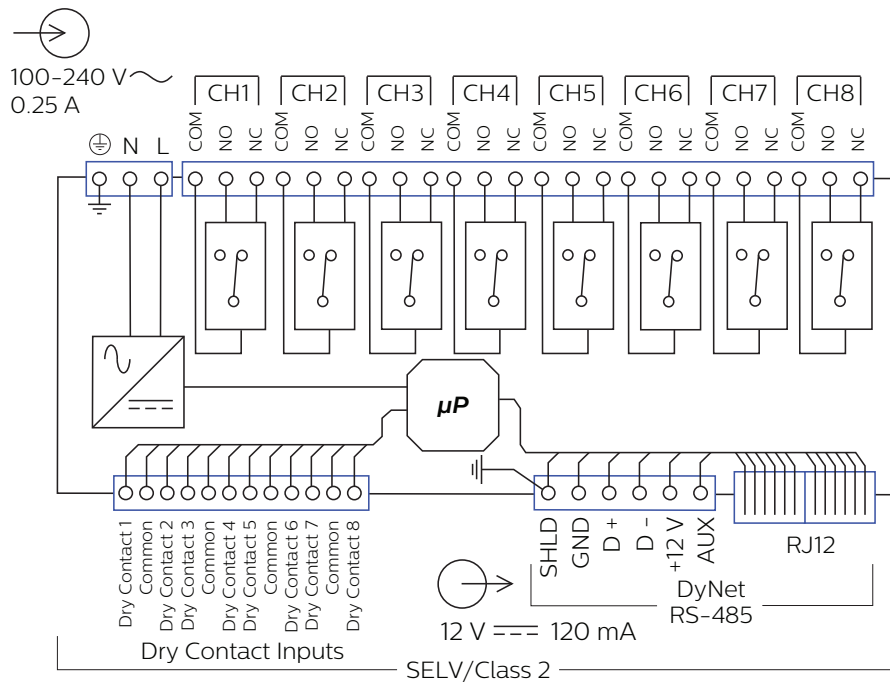
Certification	CE, RCM, RoHS
---------------	---------------

* Snubbers/spark killers not fitted. De-rate for reactive loads.

† Functional isolation only between switched outputs. Do not mix SELV and non-SELV loads on the same device.



Electrical



Output Channel Ratings

Load Type	Maximum Rating per Output*	
	CH1 - CH8 N/O	CH1 - CH8 N/C
General Use	10 A, 240 VAC 5 A, 24 VDC	5 A, 240 VAC 5 A, 24 VDC
Incandescent	5 A, 240 VDC	
Electronic Ballast	1 A, 120 VAC 0.5 A, 240 VDC	
Motor	9.8 FLA** (½ HP), 120 VAC 8 FLA** (1 HP), 240 VAC	
TV Rating	TV-5, 120 VAC	
Inrush Current	100 A	

* Note Maximum Device Load and Maximum CH-CH Voltage on Pg 3

**FLA: Full Load Amps

Ordering Code

Product

DDRC810DT-GL

Philips 12NC

913703035209

