

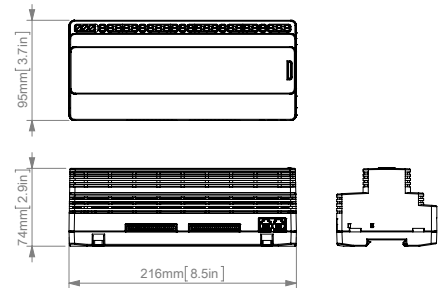


DDRC-GRMS Hotel Room Controller

Compact dedicated controller for hotel room control solutions

The DDRC-GRMS controller is a purpose-built hotel room automation and energy management system. This dedicated controller is completely self-contained and requires no external power supply, relays or processor.

- Dry contact inputs — The unit receives instructions from voltage-free button presses or a key card switch within the guest room.
- Pre-programmed — No programming required as the unit is supplied with complex functions such as 'master on/off', 'room unoccupied', 'do not disturb' or 'make up room' already configured.
- Built-in motor directional relays — Provides control of motorized blinds for a full automation solution.
- Two 16 A power relays — Enable a total energy management solution, reducing standby power consumption by powering GPOs and air conditioning systems only when required.
- Single box solution — Provides an economical total energy management solution for hotel guest rooms and suites.



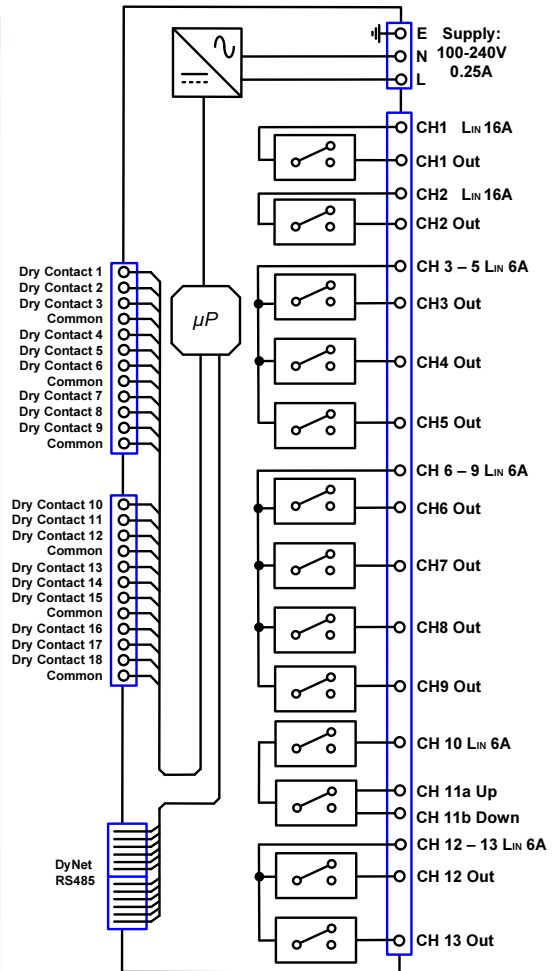
For detailed product information, please refer to the product information pages at www.philips.com/dynalite and follow the links.

Specifications

Due to continuous improvements and innovations, specifications may change without notice.

Item	Specification	Details	
Electrical	Input Voltage	100 - 240 VAC 50 / 60 Hz Single Phase @ max 0.25 A	
	DyNet DC Supply	12VDC @ 200mA (supply for approx. 9 user interfaces)	
	Outputs	CH1:	Switching, feed-through, 240 VAC 16 A resistive, 165 / 800A inrush rated (20mS / 200µS). Mechanical endurance: >5 million cycles, Resistive Load: >100,000 cycles, Load with high inrush: > 25,000 cycles (UL508,TV-8, 240 VAC).
		CH2:	Switching, feed-through, 240 VAC 16 A resistive, 100 A inrush rated. Mechanical endurance: >10 million cycles, Resistive Load: >50,000 cycles, Load with high inrush: >50,000 cycles (10 A rms / 100 A, peak) and > 100,000 cycles (5 A rms / 50 A peak) per EN61810-1Ed.2
		CH3-9:	Switching, common feed 6 A max, 240 VAC 8 A rated TV-8 type relays, 118 A inrush rated. Mechanical endurance: >1 million cycles, Resistive load: > 100,000 cycles
CH10-11:		Switching & direction control, feed 6 A max or ELV supply, Cascaded single SPST 8 A TV-8 and SPDT 8 A TV-5 relays 240 VAC 8 A rated, 100 A inrush rating	
	CH12-13:	Switching, common feed 6 A max or ELV/SELV supply (subject to local wiring code, additional segregation may be required), 240 VAC 8 A rated TV-8 type relays, 118 A inrush rating Maximum device load is 56 A	
Control	Control Inputs/Outputs	1 x RS-485 DyNet serial port 18 x preconfigured dry contact inputs	
	User Controls	Service switch Diagnostic LED	
	Preset Scenes	170	
	Internal Controls	Inbuilt Programmable Logic Controller	
	Physical	Supply Terminals	Earth, Neutral, Line Conductor size 0.2 - 5 mm ² (24 - 10 AWG)
Output Terminals		Ch 1 & 2: Line in, line out for each Ch group 3-5, 6-9, 12 & 13: Supply in, Ch out Ch 10 & 11: Supply in, motor up, motor down Conductor size 0.2 - 5 mm ² (24 - 10 AWG)	
DyNet Termination		2 x RJ12 modular sockets	
Dry Contact Terminals		2 x 12 pole pluggable DC1-DC18 with shared COM Conductor size 0.13 - 1.5 mm ² (26 - 16 AWG)	
Dimensions (H x W x D)		95 mm x 216 mm x 74 mm (3.7" x 8.5" x 2.9")	
Packed Weight		0.82 kg	
Construction		Polycarbonate DIN-rail enclosure (12 unit)	
Operating Conditions		Temperature: 0 to 40° C ambient Humidity: 0 to 95% non-condensing	
Storage & Transport		Temperature: -25 to 70° C ambient Humidity: 0 to 90% non-condensing	
Certification	Certification	CE, RCM, IEC Overvoltage category III, IEC Pollution Degree II	
Options & Ordering	Standard Product	DDRC-GRMS (Philips I2NC 913703667709)	

Electrical Diagram



Philips Dyalnite
6 / 691 Gardeners Road
Mascot, NSW 2020
Australia
Tel: +61 2 8338 9899
Email: dyalnite.info@philips.com
Web: www.philips.com/dyalnite



Specifications subject to change without notice. ©WMGD Pty Ltd Trading as Dyalnite. Unit 6, 691 Gardeners Road Mascot 2020 Australia. ABN 33 097 246 921. All rights reserved. Dyalnite, DyNet and associated logos are the registered trademarks of WMGD Pty Ltd. Not to be reproduced without permission.