



DDNP1501

Network Power Supply

Supplements DyNet network DC supply

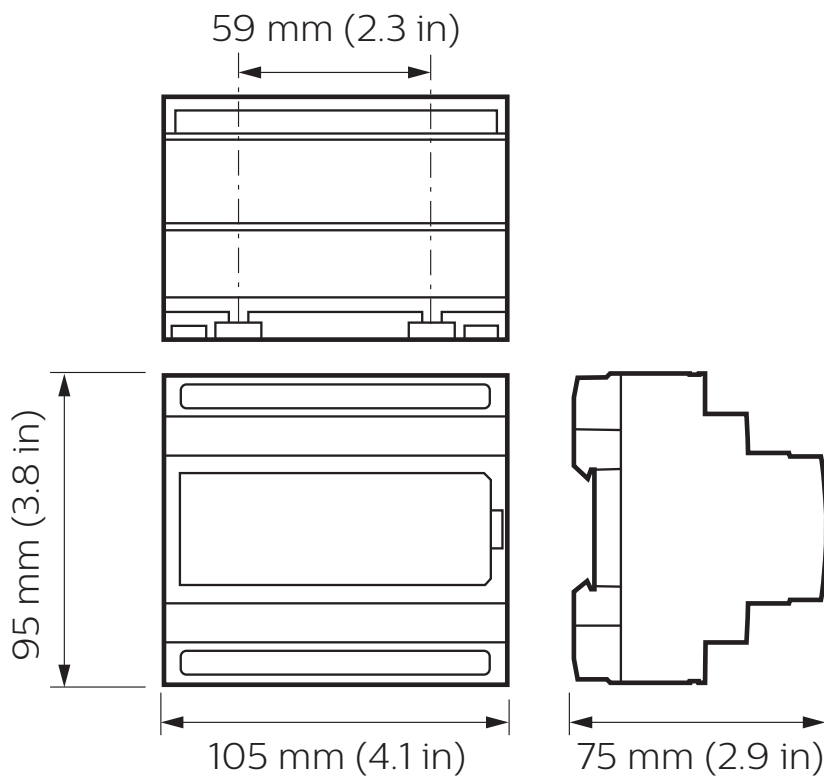
The Philips Dynalite DDNP1501 is a 15 VDC 1.5 A regulated power supply designed to supplement the DyNet network DC supply.

DDNP1501

Supplements DyNet network DC supply

- **No manual selection required** – The switch-mode design allows the device to be used with a range of input voltages.
- **Used when high-consumption devices are employed** – The DyNet network is self-powered via built-in DC supplies integrated within all mains-powered devices. Use of high-consumption devices, such as edge-lit touchscreens, can necessitate a requirement for additional power.
- **Flexible mounting solution** – A DIN-rail mountable device, with a circuit breaker profile designed to be installed into all types of distribution board enclosures, including those with cover apertures specifically designed for circuit breakers.

Dimensions



Specifications

Due to continuous improvements and innovations, specifications may change without notice.



DDNP1501
Network Power Supply

Electrical

Supply Type	Single-Phase
Supply Voltage	110–240 VAC
Supply Current	0.25 A
Output Voltage	15 VDC
Output Current	1.5 A (230 V supply) 1 A (110 V supply)
Protection	Self-resetting overload protection Short circuit protection Automatic thermal shutdown
IEC Overvoltage Category	III

Control

Indicators	1 x power LED
------------	---------------

Physical

Dimensions (H x W x D)	95 x 105 x 75 mm (3.8 x 4.1 x 2.9 in)
Packed Weight	0.2 kg (0.44 lb)
Construction	Polycarbonate DIN-rail enclosure (6 unit)
Supply Terminals	3 x screw terminal Line, Neutral, Earth
Supply Terminal Conductor Size	2.5 mm ² (max)
Load Terminals	4 x screw terminal GND, GND, +15 V, +15 V
Load Terminal Conductor Size	2.5 mm ² (max)

Environment

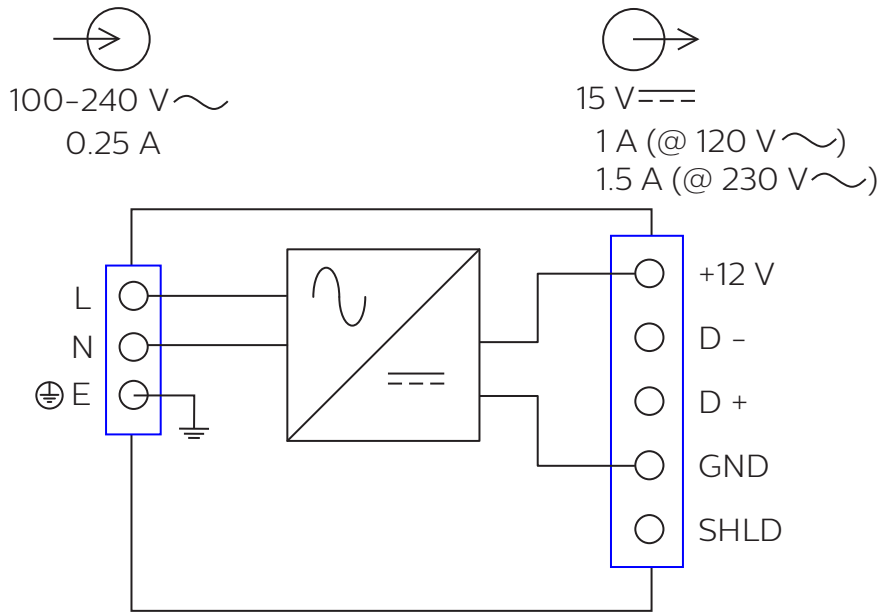
Operating Temperature	0° to 40°C ambient (32° to 104°F)
Storage/Transport Temperature	-25° to 60°C ambient (-13° to 140°F)
Humidity	0 to 90% non-condensing
IEC Pollution Degree	II

Compliance

Certification	CE, RCM, RoHS
---------------	---------------



Electrical



Ordering Code

Product
DDNP1501

Philips 12NC
913703090309

