



DDNG-KNX

KNX Network Gateway

High level KNX integration

The Philips Dynalite DDNG-KNX allows for high level integration between a Philips Dynalite system and BMS using the KNX protocol.

Each DDNG-KNX supports up to 250 KNX datapoints.

Supplied by:

The Lightmoves logo features the word 'lightmoves' in white with a colorful rainbow arc over the 'o', and the tagline 'illuminating ideas' below it. Contact information for Melbourne and Sydney is provided, along with an email address and website URL.

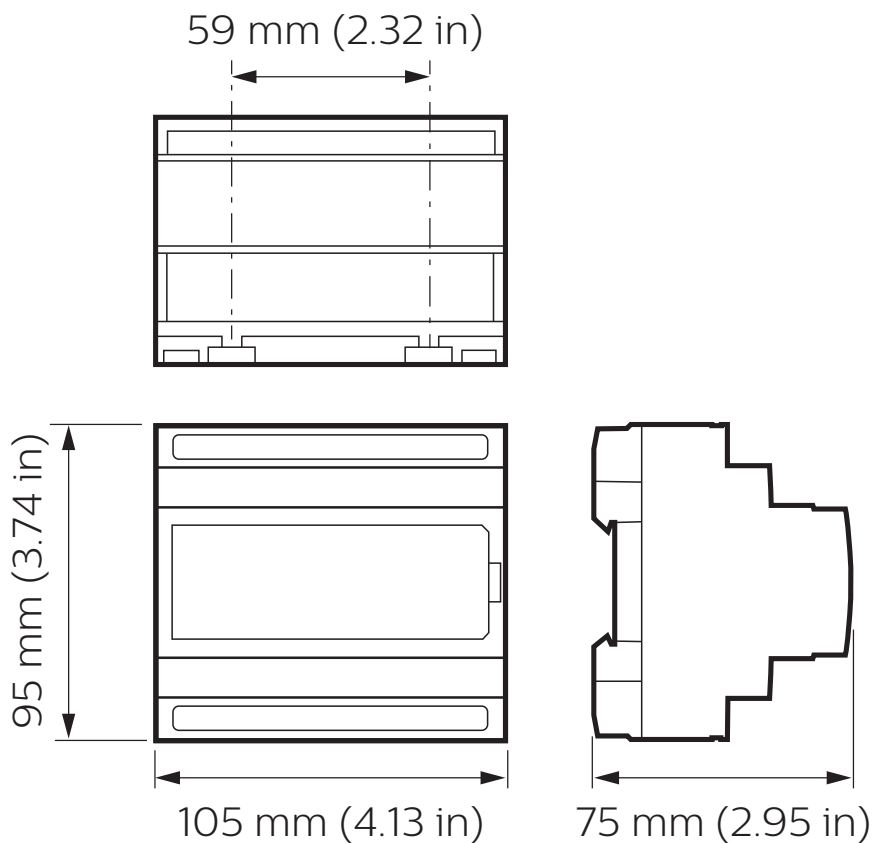
Melbourne **Sydney**
03 9701 2500 02 9737 8988
info@lightmoves.com.au
www.lightmoves.com.au

DDNG-KNX

High level KNX integration

- **Directly trigger tasks** – Use the building management system (BMS) to directly control DyNet functions.
- **Status request** – Interrogate a Philips Dynalite system to request current status information.
- **User controls included** – DyNet/KNX service switches and DyNet/KNX diagnostic LEDs.

Dimensions



Specifications

Due to continuous improvements and innovations, specifications may change without notice.



DDNG-KNX
KNX Network Gateway

Electrical

Supply Type	DyNet
Supply Voltage	12 VDC
Supply Current	15 mA
Serial Port Isolation	2.5 kV surge
KNX DC Output Voltage	16 VDC
KNX DC Output Current	5 mA
IEC Overvoltage Category	III

Control

Communication Ports	1 x RS-485 1 x KNX
Supported Protocols	DyNet DyNet2 KNX EIB
KNX Datapoints	250
Dry Contact Inputs	1 (AUX)
User Input	1 x DyNet service switch 1 x KNX service switch
Indicators	1 x DyNet service LED 1 x KNX service LED
Diagnostic Functions	Device Online/Offline status

Physical

Dimensions (H x W x D)	95 x 105 x 75 mm (3.74 x 4.34 x 2.95 in)
Packed Weight	0.25 kg (0.55 lb)
Construction	Polycarbonate DIN-rail enclosure (6 unit)
Communication Ports	6 x screw terminal 1 x 2-way pluggable screw terminal
Communication Terminal Conductor Size	2.5 mm ² (#12 AWG) (max)

Environment

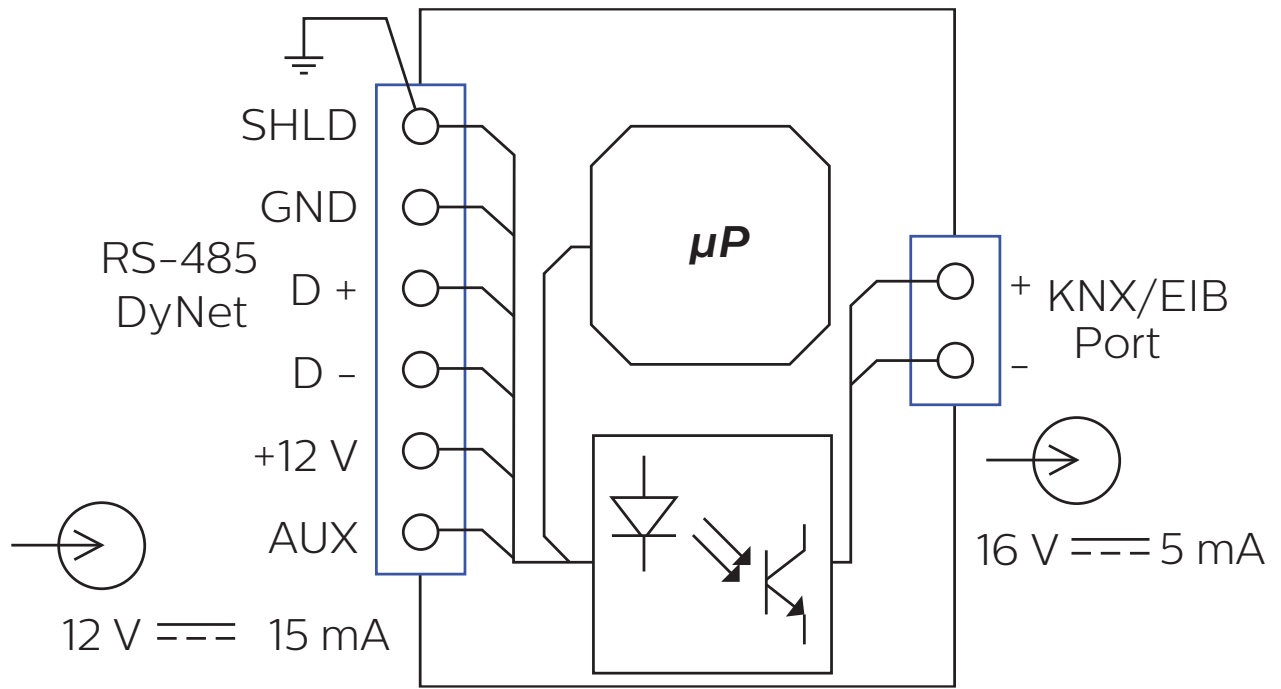
Operating Temperature	-0° to 40°C ambient (32° to 104°F)
Storage/Transport Temperature	-25° to 70°C ambient (-13° to 158°F)
Humidity	0 to 95% non-condensing
IEC Pollution Degree	III

Compliance

Certification	CE, RCM, RoHS
---------------	---------------



Electrical



Ordering Code

Product

DDNG-KNX

Philips 12NC

913703080509

