



DDMC-GRMS

Multipurpose Modular Room Controller

Compact controller for single room solutions

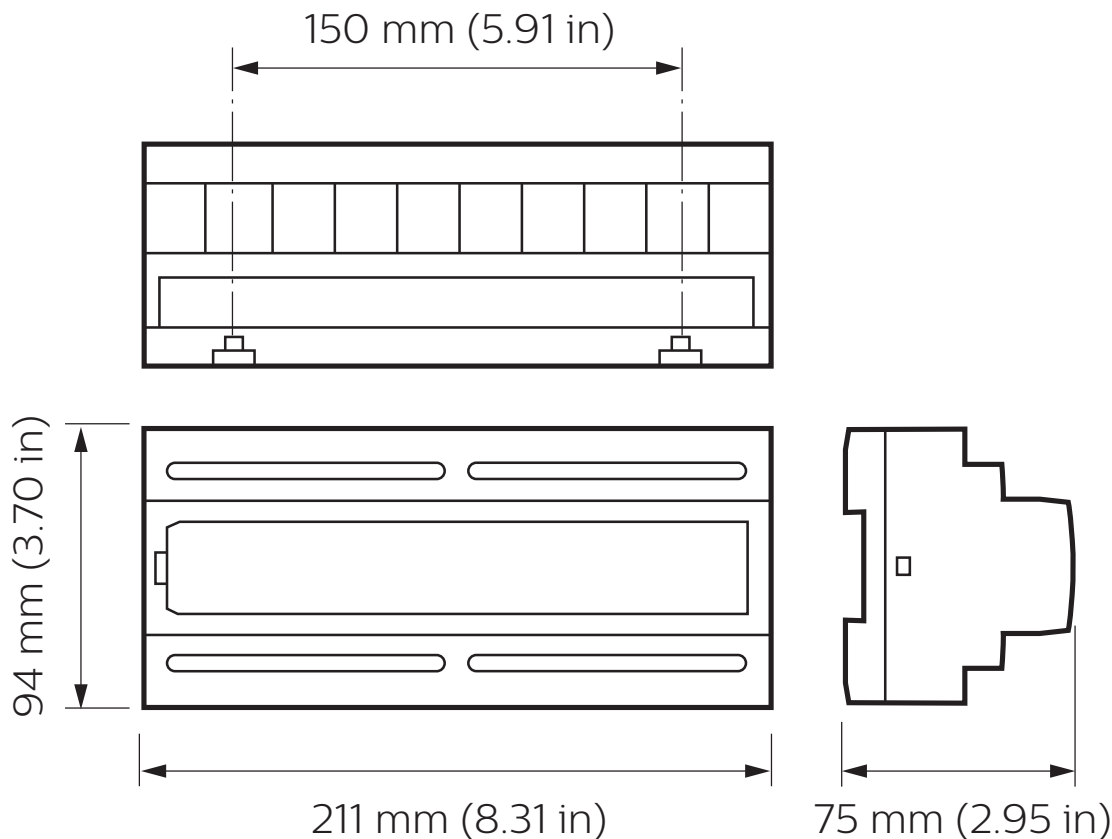
The Philips Dynalite DDMC-GRMS is a general room automation and energy management system. Allowing for a range of output modules, the compact unit delivers the ultimate in room comfort through seamless control of lighting, curtains and blinds, as well as limiting standby current consumption from electronic devices connected to power outlets.

DDMC-GRMS

Compact controller for single room solutions

- **Modular controller** – Leading and trailing edge dimming modules, signal dimming modules and relay control modules available.
- **Built-in motor directional relays** – Provides control of motorized blinds for a full automation solution.
- **Pre-programmed** – No programming required as the unit is supplied with complex functions such as 'master on/off', 'room unoccupied', 'do not disturb' or 'make up room' already configured. The device can be reconfigured to meet any project requirements.
- **Three switching channels** – Provide additional on/off control of other lighting fixture types.
- **One 16 A power relay** – Enables a total energy management solution, reducing standby power consumption by switching power outlets.
- **Single box solution** – Provides an economical total energy management solution.
- **Built-in sequential logic functionality** – Allows intelligent responses to programmed triggers.
- **Flexible mounting solution** – A DIN-rail mountable device, designed to be installed into the distribution board supplying power to the controlled circuit.

Dimensions



Specifications

Due to continuous improvements and innovations, specifications may change without notice.



DDMC-GRMS Multipurpose Modular Room Controller

Electrical

| | |
|----------------------|----------------------------------|
| Supply Type | Single phase |
| Supply Voltage | 100-240 VAC |
| Supply Current | 16 A |
| Outputs | 8 (4 x 2-channel module bays) |
| DyNet Load Voltage | 12 VDC |
| DyNet Load Current | 200 mA |
| Overvoltage Category | III |

Control

| | |
|---------------------|--|
| Serial Ports | 2 x RS-485 |
| Supported Protocols | DyNet DyNet2 DMX Tx |
| DMX Tx Channels | 16 (max) |
| User Controls | 1 x service switch 8 x DyNet address DIP switch |
| Indicators | 1 x service LED |

Physical

| | |
|--------------------------------|--|
| Dimensions (H x W x D) | 94 x 211 x 75 mm (3.70 x 8.31 x 2.95 in) |
| Packed Weight | 0.82 kg (1.81 lb) |
| Construction | Polycarbonate DIN rail enclosure (12 unit) |
| Serial Ports | 3 x RJ12 1 x 3-way pluggable screw terminal |
| Serial Port Conductor Size | 2.5 mm ² (#12 AWG) (max) |
| Supply Terminals | 3 x screw terminal Line, Neutral, Earth |
| Supply Terminal Conductor Size | 5 mm ² (#10 AWG) (max) |
| Load Terminals | 22 x screw terminal |
| Load Terminal Conductor Size | 5 mm ² (#10 AWG) (max) |

Environment

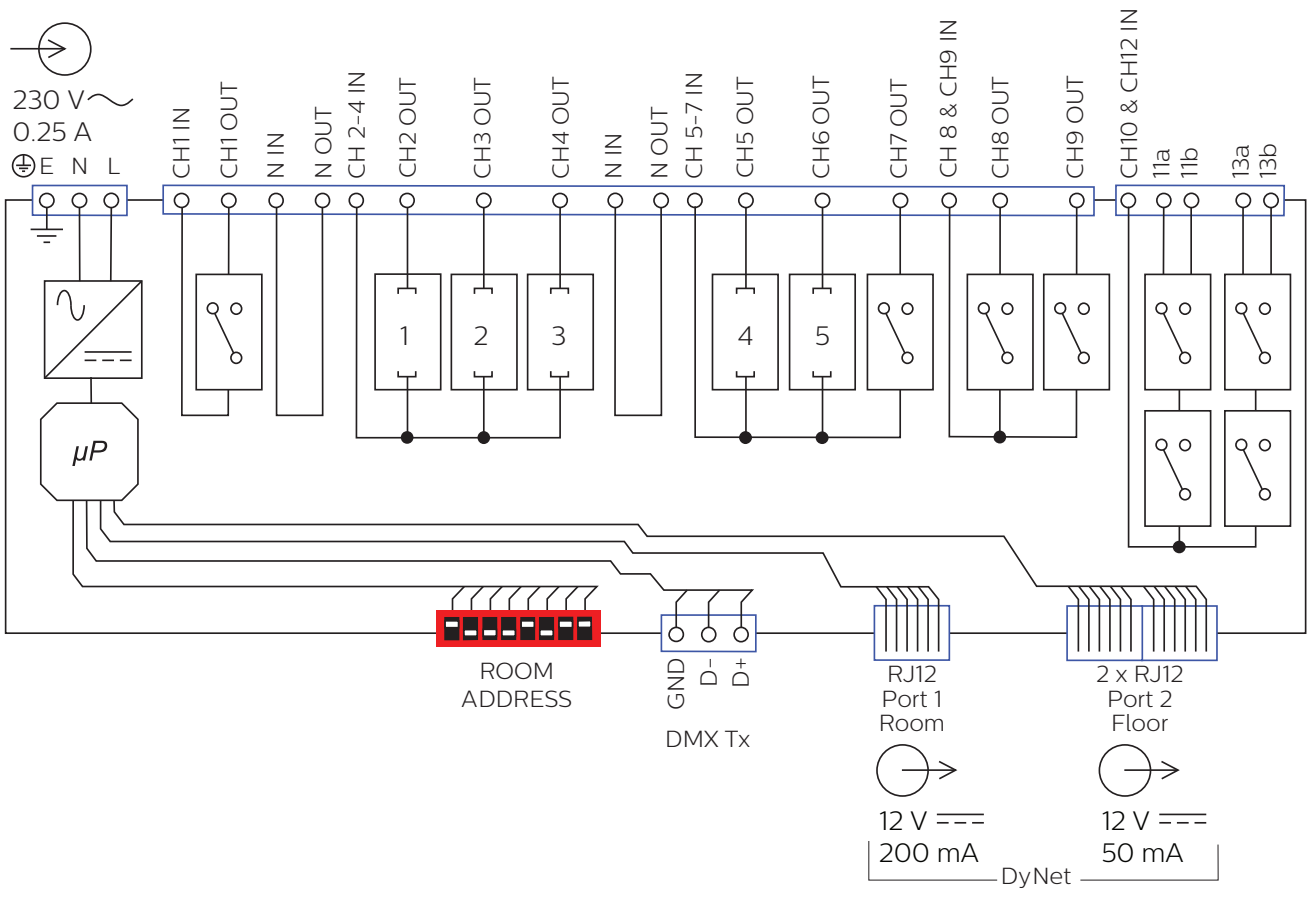
| | |
|-------------------------------|--------------------------------------|
| Operating Temperature | 0° to 40°C ambient (32° to 104°F) |
| Storage/Transport Temperature | -25° to 70°C ambient (-13° to 158°F) |
| Humidity | 0 to 90% non-condensing |
| IEC Pollution Degree | II |

Compliance

| | |
|---------------|---------------|
| Certification | CE, RCM, RoHS |
|---------------|---------------|



Electrical



Output Channel Ratings

| Load Type | Maximum Rating per Output | | | | |
|--------------------|-------------------------------|--------------------------------|--|--|----------------|
| | CH1 | CH7 | CH8-CH9 | CH10-CH13 | |
| General Use | 16 A, 240 VAC | 4 A, 240 VAC | 6 A, 240 VAC | 4 A, 240 VAC | |
| Resistive | | | 1 A, 30 VDC | 1 A, 30 VDC | |
| Incandescent | 10 A, 120 VAC 5 A, 240 VAC | 4 A, 240 VAC | 5 A, 240 VAC | 4 A, 240 VAC | |
| Electronic Ballast | 3 A, 240 VAC | 2 A, 120 VAC 0.8 A, 240 VAC | 2 A, 240 VAC | 2 A, 120 VAC 0.8 A, 240 VAC | |
| Motor | | | 9.8 FLA (½ HP), 120 VAC 8.0 FLA (1 HP), 240 VAC | 5.2 FLA (½ HP), 120 VAC 4.3 FLA (¾ HP), 240 VAC | |
| TV Rating | TV-8, 120 V | TV-8, 120 V | TV-5, 120 V | | |
| Inrush Current | 165 A | 60 A | 100 A | 60 A | |
| Maximum Group Load | CH2-CH4 6 A | CH5-CH7 6 A | CH8-CH9 6 A | CH10-CH13 6 A | DEVICE 40 A |

DDBM101

| | |
|---------------------|---------------------------------|
| Module Type | Signal dimmer control |
| Output Channels | 1 |
| Supported Protocols | 1-10 V DSI DALI Broadcast |



Control Channel Ratings

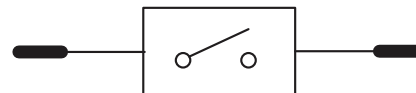
| DALI/DSI | Channel |
|--------------------|----------------------------|
| Output Voltage | 12 VDC |
| Guaranteed Current | 10 mA |
| Maximum Current | 250 mA |
| Maximum Drivers | 2 |
| Insulation | Basic |
| 1-10 V | Channel |
| Current | sink 10 mA source 10 mA |

DDRM104

| | |
|-----------------|---------------|
| Module Type | Relay control |
| Output Channels | 1 x 4 A |

Output Channel Ratings

| Load Type | Maximum Rating per Output |
|---------------------|-----------------------------------|
| General Use | 4 A, 230 VAC |
| Incandescent | 600 W, 120 VAC 1100 W, 230 VAC |
| Standard Ballast | 2 A, 120 VAC |
| Electronic Ballasts | 4 A, 120 VAC 3 A, 230 VAC |



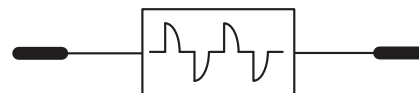
DDL102

| | |
|-------------------|---------------------|
| Module Type | Leading edge dimmer |
| Output Channels | 1 x 2 A |
| Regulating Device | Triac 20 A, 600 V |

Output Channel Ratings

| Load Type | Maximum Rating per Output |
|---------------------|---------------------------|
| Incandescent | 2 A, 120-230 VAC |
| Standard Ballast | |
| Electronic Ballast* | |

* can be limited by load capacitance.



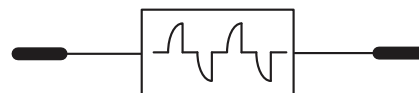
DDTM102

| | |
|-------------------|---------------------------------------|
| Module Type | Trailing edge dimmer |
| Output Channels | 1 x 2 A |
| Regulating Device | Dual MOSFET, 21 A, 500 V (84 A surge) |

Output Channel Ratings

| Load Type | Maximum Rating per Output |
|--------------------|---------------------------|
| Incandescent | 2 A, 120-230 VAC |
| Electronic Ballast | |

Not compatible with magnetic transformers.



Ordering Code

Product

DDMC-GRMS

Philips 12NC

913703212509

Modules

DDBM101

913703025309

DDRM104

913703025009

DDL102

913703024809

DDTM102

913703025109

