



Date: _____ Type: _____

Firm Name: _____

Project: _____

sPDS-480ca 7.5V

Power / data supply for large-scale Ethernet installations

sPDS-480ca 7.5V is a power / data supply designed for large-scale Ethernet LED lighting installations using Chromasic fixtures from Philips Color Kinetics.

Housed in a 2U rack-mountable enclosure, sPDS-480ca 7.5V includes rack handle and surface-mount brackets, for versatile mounting options.

sPDS-480ca 7.5V delivers 480 watts of output via sixteen 30-watt ports and automatically accommodates input voltages ranging from 100 VAC to 240 VAC. Short-circuit protection prevents device failure due to incorrectly wired fixtures. The standard IEC power inlet accepts both US and international power cables.

Over-temperature detection and selectable shutdown options protect sPDS-480ca 7.5V against operation beyond its rated temperature specification. Variable-speed fans keep noise levels low and include serviceable air filters.

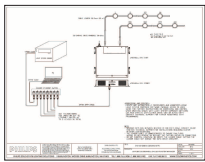


For device mounting and maintenance details, refer to the Installation Instructions included in the product packaging, or download documentation from www.philipscolorkinetics.com/ls/pds/spds480/

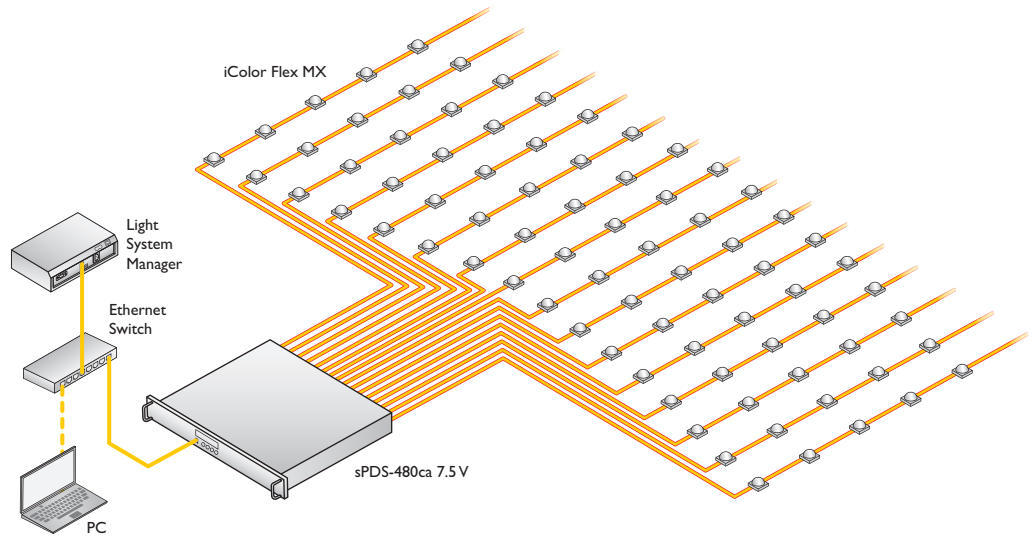
With onboard controls, sPDS-480ca 7.5V incorporates automatic fixture discovery and testing, eliminating the need for additional addressing tools or software. sPDS-480ca 7.5V features a backlit LCD for easy menu viewing.

Compatible Fixtures

Fixture	Max. Quantity Per sPDS-480ca 7.5V	Max. Quantity Per Output Port
iColor Flex MX	16 strings	1 string
iColor Tile MX	8 tiles	1/2 tile



sPDS-480ca 7.5V wiring diagrams are available online at www.philipscolorkinetics.com/support/wiring/



Each sPDS-480ca 7.5V unit delivers power and data to a maximum of 1152 nodes. The maximum number of sPDS-480ca 7.5V units per installation varies based on the controller type and the node quantities of the fixtures.

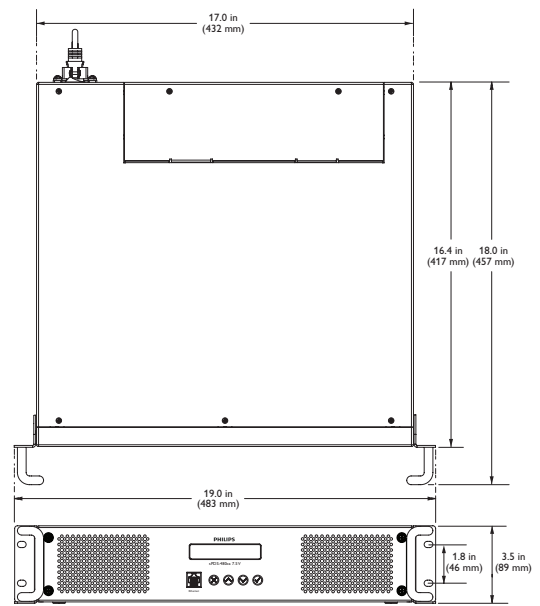


Specifications

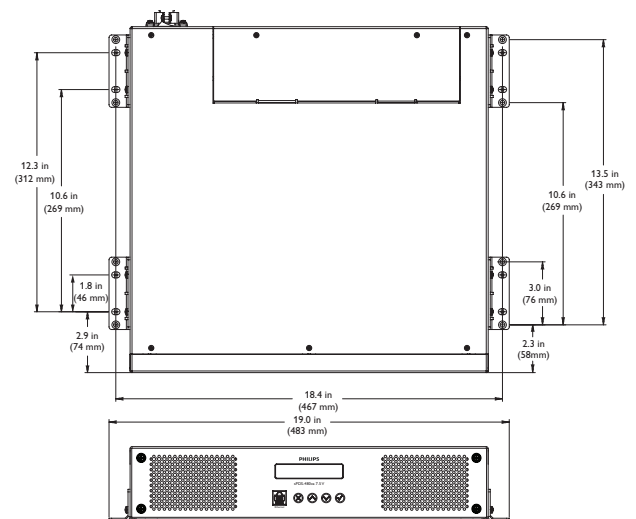
Due to continuous improvements and innovations, specifications may change without notice.

Item	Specification	Details	
Electrical	Input Voltage	100 – 240 VAC, auto-switching, 50 / 60 Hz	
	Maximum Input Current	8 A at 100 VAC, 7 A at 120 VAC, 3.5 A at 240 VAC	
	Power Output	7.5 VDC, 480 W (30 W per power port)	
	Fuse Rating	(16) 5 A, 125 V, 5 x 20 fast blow fuses	
Physical	Dimensions (Height x Width x Depth)	3.5 x 19 x 18 in (89 x 483 x 457 mm)	
	Weight	28.7 lb (13 kg)	
	Construction	2U rack and surface-mountable aluminum chassis	
	Finish	Black matte	
	Connectors	Data	RJ-45 input connector
		Power Output	(16) 4-pin output receptacles
		Power Input	IEC 320 receptacle type C13, locking clamp
	Temperature Ranges	14° – 122° F (-10° – 50° C) Operating 14° – 122° F (-10° – 50° C) Startup -40° – 176° F (-40° – 80° C) Storage	
	Humidity	0 – 95%, non-condensing	
	Airflow	Front panel input, back panel output	
	Cooling	(2) speed-configurable fans, with serviceable air filters	
	Heat Dissipation	25% of total power input	
	Data Input Source	Philips full range of Ethernet controllers, or KiNET-compatible* third-party Ethernet controller	
Certification and Safety	Certification	UL / cUL	
	Classification	UL Class 2 power supply	
	Environment	Dry Location, IP20	

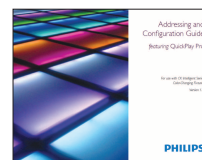
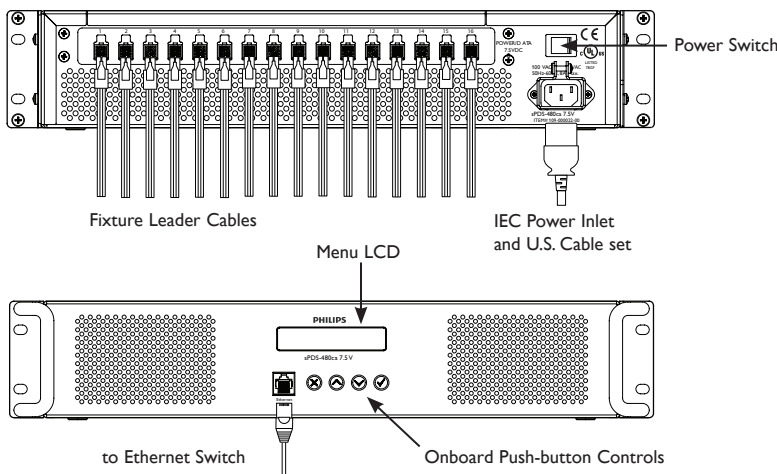
* KiNET is the Ethernet lighting protocol from Philips Color Kinetics.



Dimensions: Rack Mount Configuration



Dimensions: Surface Mount Configuration



For complete instructions detailing sPDS-480ca 7.5V onboard controls and menus, refer to the *Addressing and Configuration Guide* available online at www.philipscolorkinetics.com/support/addressing/



Philips Color Kinetics
 3 Burlington Woods Drive
 Burlington, Massachusetts 01803 USA
 Tel 888.385.5742
 Tel 617.423.9999
 Fax 617.423.9998
www.philipscolorkinetics.com

Copyright © 2009 – 2012 Philips Solid-State Lighting Solutions, Inc. All rights reserved.
 Chromacore, Chromasic, CK, the CK logo, Color Kinetics, the Color Kinetics logo, ColorBlast, ColorBlaze, ColorBurst, eW Fuse, ColorGraze, ColorPlay, ColorReach, iW Reach, eW Reach, DIMand, EssentialWhite, eW, iColor, iColor Cove, IntelliWhite, iW, iPlayer, Optibin, and Powercore are either registered trademarks or trademarks of Philips Solid-State Lighting Solutions, Inc. in the United States and / or other countries. All other brand or product names are trademarks or registered trademarks of their respective owners. Due to continuous improvements and innovations, specifications may change without notice.

DAS-000066-01 R02 04-12