



Date: _____ Type: _____

Firm Name: _____

Project: _____

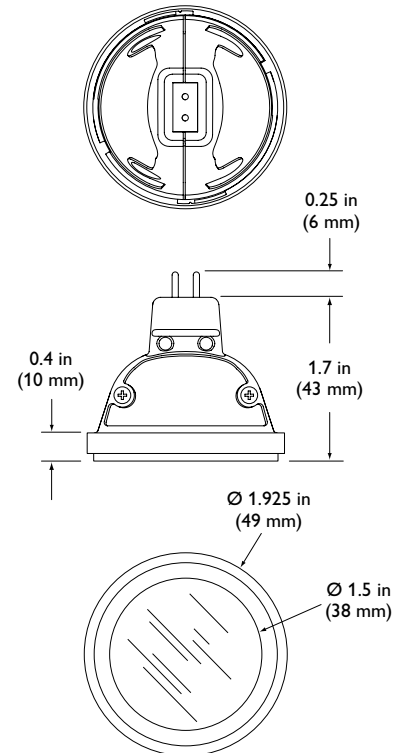
iW MR gen3

20° beam angle

MR 16 LED lamp with high-quality intelligent white light

iW MR gen3 is an LED lamp with high-quality intelligent white light. The stylish housing fits into most standard MR16 fixtures, including tracks, cables, rails, and pendants. With high-intensity LED light sources and three beam angles, iW MR gen3 is suitable for a wide-range of architectural, theatrical, and retail applications.

- Compatible with most MR16 fixtures and sockets — With its standard GU5.3 base and two-pin MR16 connector, iW MR gen3 is compatible with most MR16 tracks, rails, cables, and pendant fixtures.
- Standard wiring and simple installation — iW MR gen3 lamps work with standard 2-conductor jacketed cable or hook-up wire. Power / data supplies specifically designed for use with iW MR gen3 multiplex power and data onto a two-wire circuit for use with conventional MR16 fixtures and sockets.
- High-Intensity LED light — iW MR gen3 provides channels of warm, neutral, and cool LED sources to offer white light in color temperatures ranging from 2700 K – 5700 K.
- Three beam angles — Use the 20° lamp when you need a spot of light with sharply defined edges, the 26° lamps for a wider spread of light, and the 100° (no optic) lamp for a soft, diffuse light.
- Efficient and cost-effective — iW MR gen3 is easily adaptable to a wide range of interior environments where MR16 fixtures are commonly used. With long useful source life, low power draw of just 5 W, and low-maintenance operation, iW MR gen3 lamps cost significantly less to own and operate than conventional MR16 lamps.



- Complete integrated system — PDS-70mr 24V power / data supply, for use with MR LED lamps, is a complete custom control solution from Philips Color Kinetics.

For detailed product information, please refer to the iW MR gen3 Product Guide at www.colorkinetics.com/ls/rgb/iwmr/gen3/

PHILIPS

Specifications

Due to continuous improvements and innovations, specifications may change without notice

Item	Specification	20° Beam Angle
Output	Lumens*	212
	Efficacy (lm / W)	17.2
	CRI	81
	Lumen Maintenance†	54,000 hours L70 @ 40° C 54,000 hours L70 @ 25° C 54,000 hours L50 @ 40° C 54,000 hours L50 @ 25° C
	LED Channels	2700 K / 4000 K / 5700 K
Electrical	Input Voltage	24 VDC from PDS-70mr
	Power Consumption	5 W maximum at full output, steady state
Control	Interface	PDS-70mr 24V (DMX / Ethernet)
	Control System	Philips Color Kinetics full range of controllers, including Light System Manager, iPlayer 3, and ColorDial Pro, or third-party controllers
Physical	Dimensions (Height x Width x Depth)	1.9 x 1.9 x 1.9 in (49 x 49 x 49 mm)
	Weight	3.1 oz (88 g)
	Housing	Die-cast zinc, silver finish
	Lens	Polycarbonate optic
	Fixture Connections	Standard 2-pin MR16 connector
	Temperature Ranges	-4° – 104° F (-20° – 40° C) Operating -4° – 104° F (-20° – 40° C) Startup -40° – 176° F (-40° – 80° C) Storage
	Humidity	0 – 95%, non-condensing
Certification and Safety	Certifications	UL / cUL, FCC Class A, CE
	Environment	Dry Location, IP20

* Lumen measurement complies with IES LM-79-08 testing procedures.

† L70 = 70% lumen maintenance (when light output drops below 70% of initial output).

L50 = 50% lumen maintenance (when light output drops below 50% of initial output).

Ambient luminaire temperatures specified. Lumen maintenance calculations are based on lifetime prediction graphs supplied by LED source manufacturers. Calculations for white-light LED fixtures are based on measurements that comply with IES LM-80-08 testing procedures. Refer to www.philipscolorkinetics.com/support/appnotes/lm-80-08.pdf for more information.



CHROMACORE[®] | OPTIBIN
CKTECHNOLOGY | CKTECHNOLOGY

Fixtures and Accessories

Item	Type	Item Number	Philips 12NC
iW MR gen3	20° beam angle	501-000015-00	910503704547
	26° beam angle	501-000015-01	910503704629
	100° beam angle	501-000015-02	910503704630
PDS-70mr 24V Power / Data Supply	Pre-programmed	109-000018-00	910503700098
	DMX	109-000018-01	910503700099
	Ethernet	109-000018-02	910503700583

Use Item Number when ordering in North America.

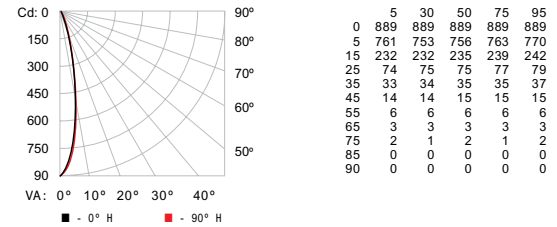


Philips Color Kinetics
3 Burlington Woods Drive
Burlington, Massachusetts 01803 USA
Tel 888.385.5742
Tel 617.423.9999
Fax 617.423.9998
www.colorkinetics.com

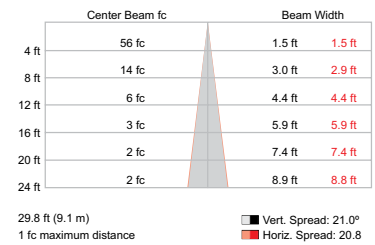
Photometrics

iW MR gen3, 20° beam angle

Polar Candela Distribution



Illuminance at Distance



Lumens	Efficacy
212	17.2

For lux multiply fc by 10.7

Copyright © 2013 Philips Solid-State Lighting Solutions, Inc. All rights reserved. Chromacore, Chromasic, CK, the CK logo, Color Kinetics, the Color Kinetics logo, ColorBlast, ColorBlaze, ColorBurst, ColorGraze, ColorPlay, ColorReach, iW Reach, eW Reach, DIMand, EssentialWhite, eW, iColor, iColor Cove, IntelliWhite, iW, iPlayer, Optibin, and Powercore are either registered trademarks or trademarks of Philips Solid-State Lighting Solutions, Inc. in the United States and / or other countries. All other brand or product names are trademarks or registered trademarks of their respective owners. Due to continuous improvements and innovations, specifications may change without notice.

DAS-000129-01 R00 09-13