



Date: \_\_\_\_\_ Type: \_\_\_\_\_

Firm Name: \_\_\_\_\_

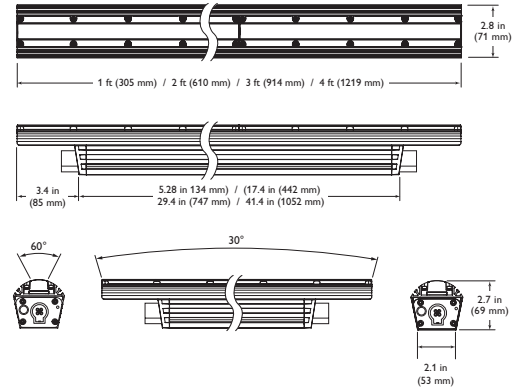
Project: \_\_\_\_\_

# iW Graze QLX Powercore

60° x 30° beam angle

Performance linear exterior LED wall grazing fixture with intelligent white light

With light output of up to 673 lumens and a power consumption of only 15 W per foot, iW Graze QLX Powercore is perfect for surface illumination applications calling for a balance of cost and performance. Featuring Powercore technology, fixtures process power directly from line voltage, eliminating the need for external power supplies. These versatile fixtures use channels of cool, neutral, and warm white LEDs to produce color temperatures ranging from 2700 K – 6500 K. Four fixture lengths and five beam angles support a large range of façade or surface illumination applications.



For detailed product information, please refer to the iW Graze Powercore Family Product Guide at [www.philipscolorkinetics.com/ls/intelligentwhite/iwgrazeqlxpowercore/](http://www.philipscolorkinetics.com/ls/intelligentwhite/iwgrazeqlxpowercore/)

## Specifications

Due to continuous improvements and innovations, specifications may change without notice.

Item	Specification	1 ft (305 mm)	2 ft (610 mm)	3 ft (914 mm)	4 ft (1219 mm)
Output	Lumens*	658	1316	1974	2632
	Efficacy (lm / W)	33.9			
	CRI	83			
	Lumen Maintenance‡	60,000 hours L70 @ 25° C	60,000 hours L70 @ 50° C	60,000 hours L50 @ 25° C	60,000 hours L50 @ 50° C
Electrical	Input Voltage	100 – 277 VAC, auto-ranging 50 / 60 Hz			
	Power Consumption	15 W	30 W	45 W	60 W
Control	Interface	Data Enabler Pro (DMX or Ethernet)			
	Control System	Philips Color Kinetics full range of controllers, including Light System Manager and iPlayer 3, or third-party controllers			
Physical	Dimensions (Height x Width x Depth)	2.7 x 12 x 2.8 in (69 x 305 x 71 mm)	2.7 x 24 x 2.8 in (69 x 610 x 71 mm)	2.7 x 36 x 2.8 in (69 x 914 x 71 mm)	2.7 x 48 x 2.8 in (69 x 1219 x 71 mm)
	Weight	2.1 lb (1.0 kg)	4.6 lb (2.1 kg)	7.1 lb (3.2 kg)	9.3 lb (4.2 kg)
	Housing	Extruded anodized aluminum			
	Lens	Clear polycarbonate			
	Fixture Connectors	Integral male / female waterproof connectors			
	Mounting	Multi-positional, constant torque locking hinges			
	Temperature	-40° – 122° F (-40° – 50° C) Operating -4° – 122° F (-20° – 50° C) Startup -40° – 176° F (-40° – 80° C) Storage			
	Humidity	0 – 95%, non-condensing			
	Fixture Run Lengths	To calculate fixture run lengths and total power consumption for your specific installation, download the Configuration Calculator from <a href="http://www.philipscolorkinetics.com/support/install_tool/">www.philipscolorkinetics.com/support/install_tool/</a>			
Certification and Safety	Certification	UL / cUL, FCC Class A, CE, PSE, C-Tick			
	Environment	Dry / Damp / Wet Location, IP66			

\* 1 ft (305 mm) lumen output measurements comply with IES LM-79-08 testing procedures. 2 ft (610 mm), 3 ft (914 mm), and 4 ft (1219 mm) measurements are estimated based on the 1 ft (305 mm) measurements.

‡ L70 = 70% lumen maintenance (when light output drops below 70% of initial output). L50 = 50% lumen maintenance (when light output drops below 50% of initial output). Ambient luminaire temperatures specified. Lumen maintenance calculations are based on lifetime prediction graphs supplied by LED source manufacturers. Calculations for white-light LED fixtures are based on measurements that comply with IES LM-80-08 testing procedures. Refer to [www.philipscolorkinetics.com/support/appnotes/lm-80-08.pdf](http://www.philipscolorkinetics.com/support/appnotes/lm-80-08.pdf) for more information.



**PHILIPS**

## Fixtures

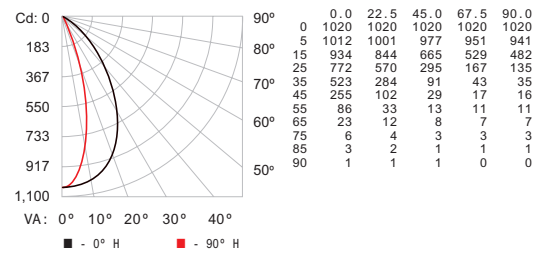
Item	Beam Angle	Item Number	Philips 12NC
iW Graze QLX Powercore 1 ft (305 mm)	9° x 9°	523-000079-20	910503703664
	10° x 60°	523-000079-21	910503703665
	15° x 30°	523-000079-22	910503703666
	30° x 60°	523-000079-23	910503703667
	60° x 30°	523-000079-24	910503703668
iW Graze QLX Powercore 2 ft (610 mm)	9° x 9°	523-000079-25	910503703669
	10° x 60°	523-000079-26	910503703670
	15° x 30°	523-000079-27	910503703671
iW Graze QLX Powercore 3 ft (914 mm)	30° x 60°	523-000079-28	910503703672
	60° x 30°	523-000079-29	910503703673
	9° x 9°	523-000079-30	910503703674
	10° x 60°	523-000079-31	910503703675
iW Graze QLX Powercore 4 ft (1219 mm)	15° x 30°	523-000079-32	910503703676
	30° x 60°	523-000079-33	910503703677
	60° x 30°	523-000079-34	910503703678
iW Graze QLX Powercore 4 ft (1219 mm)	9° x 9°	523-000079-35	910503703679
	10° x 60°	523-000079-36	910503703680
	15° x 30°	523-000079-37	910503703681
	30° x 60°	523-000079-38	910503703682
	60° x 30°	523-000079-39	910503703683

Use Item Number when ordering in North America.

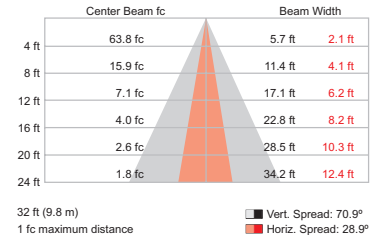
## Photometrics

iW Graze QLX Powercore  
1 ft, 60° x 30° beam angle

### Polar Candela Distribution



### Illuminance at Distance



Lumens	Efficacy
658	33.9

For lux multiply fc by 10.7

## Accessories

Item	Type	Item Number	Philips 12NC	
Leader Cable with Terminator	UL / cUL	10 ft (3.0 m)	108-000055-03	910503704066
		50 ft (15.2 m)	108-000055-00	910503703137
	CE / PSE	10 ft (3.0 m)	108-000055-04	910503704067
		50 ft (15.2 m)	108-000055-01	910503704064
Jumper Cable	UL / cUL	End-to-End	108-000057-00	910503703139
		1 ft (305 mm)	108-000057-03	910503704076
		5 ft (1.5 m)	108-000057-06	910503704079
		10 ft (3.0 m)	108-000057-09	910503704082
	CE / PSE	End-to-End	108-000057-01	910503704074
		1 ft (305 mm)	108-000057-04	910503704077
		5 ft (1.5 m)	108-000057-07	910503704080
		10 ft (3.0 m)	108-000057-10	910503704083
Glare Shield		1 ft (305 mm)	120-000081-00	910503700745
		2 ft (610 mm)	120-000081-01	910503700746
		3 ft (914 mm)	120-000081-02	910503700747
		4 ft (1219 mm)	120-000081-03	910503700748
Additional Terminators	Quantity 10	120-000157-00	910503703142	
Additional Hinge	Quantity 1	120-000098-00	910503700772	

Use Item Number when ordering in North America.



Philips Color Kinetics  
3 Burlington Woods Drive  
Burlington, Massachusetts 01803 USA  
Tel 888.385.5742  
Tel 617.423.9999  
Fax 617.423.9998  
www.philipscolorkinetics.com

Copyright © 2013 Philips Solid-State Lighting Solutions, Inc. All rights reserved.  
Chromacore, Chromasic, CK, the CK logo, Color Kinetics, the Color Kinetics logo, ColorBlast, ColorBlaze, ColorBurst, eW Fuse, ColorGraze, ColorPlay, ColorReach, iW Reach, eW Reach, DIMand, EssentialWhite, eW, iColor, iColor Cove, IntelliWhite, iW, iPlayer, Optibin, and Powercore are either registered trademarks or trademarks of Philips Solid-State Lighting Solutions, Inc. in the United States and / or other countries. All other brand or product names are trademarks or registered trademarks of their respective owners. Due to continuous improvements and innovations, specifications may change without notice.

DAS-000115-25 R00 04-13