



Date: \_\_\_\_\_ Type: \_\_\_\_\_

Firm Name: \_\_\_\_\_

Project: \_\_\_\_\_

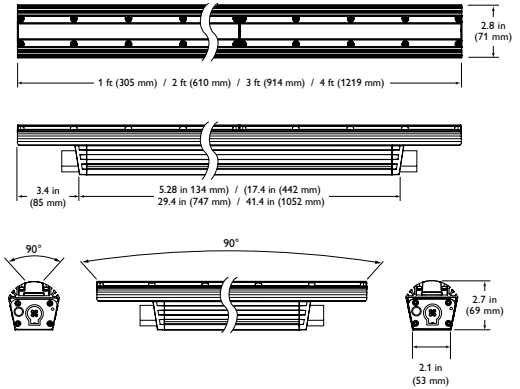
# iW Graze EC Powercore

90° x 90° beam angle

Cost-effective linear exterior LED wall grazing fixture with intelligent white light

The most cost-effective of our intelligent white light grazing fixtures, iW Graze EC Powercore features a wide beam angle (90° x 90°) that produces a soft-edged, volume fill for exterior cove, niche, and architectural detail illumination. Featuring Powercore technology, fixtures process power directly from line voltage, eliminating the need for external power supplies. These versatile fixtures use channels of cool, neutral, and warm white LEDs to produce color temperatures ranging from 2700 K – 6500 K. Four fixture lengths allow placement in applications both large and small.

For detailed product information, please refer to the iW Graze Powercore Family Product Guide at [www.philipscolorkinetics.com/ls/intelligentwhite/iwgrazeqxpowerscore/](http://www.philipscolorkinetics.com/ls/intelligentwhite/iwgrazeqxpowerscore/)



## Specifications

Due to continuous improvements and innovations, specifications may change without notice.

Item	Specification	1 ft (305 mm)	2 ft (610 mm)	3 ft (914 mm)	4 ft (1219 mm)
Output	Lumens*	412	824	1236	1648
	Efficacy (lm / W)	29.6			
	CRI	82			
	Lumen Maintenance‡	60,000 hours L70 @ 25° C	60,000 hours L70 @ 50° C	60,000 hours L50 @ 25° C	60,000 hours L50 @ 50° C
Electrical	Input Voltage	100 – 277 VAC, auto-ranging 50 / 60 Hz			
	Power Consumption	10 W	20 W	30 W	40 W
Control	Interface	Data Enabler Pro (DMX or Ethernet)			
	Control System	Philips Color Kinetics full range of controllers, including Light System Manager and iPlayer 3, or third-party controllers			
Physical	Dimensions (Height x Width x Depth)	2.7 x 12 x 2.8 in (69 x 305 x 71 mm)	2.7 x 24 x 2.8 in (69 x 610 x 71 mm)	2.7 x 36 x 2.8 in (69 x 914 x 71 mm)	2.7 x 48 x 2.8 in (69 x 1219 x 71 mm)
	Weight	2.1 lb (1.0 kg)	4.6 lb (2.1 kg)	7.1 lb (3.2 kg)	9.3 lb (4.2 kg)
	Housing	Extruded anodized aluminum			
	Lens	Clear polycarbonate			
	Fixture Connectors	Integral male / female waterproof connectors			
	Mounting	Multi-positional, constant torque locking hinges			
	Temperature	-40° – 122° F (-40° – 50° C) Operating -4° – 122° F (-20° – 50° C) Startup -40° – 176° F (-40° – 80° C) Storage			
	Humidity	0 – 95%, non-condensing			
	Fixture Run Lengths	To calculate fixture run lengths and total power consumption for your specific installation, download the Configuration Calculator from <a href="http://www.philipscolorkinetics.com/support/install_tool/">www.philipscolorkinetics.com/support/install_tool/</a>			
	Certification and Safety	Certification	UL / cUL, FCC Class A, CE, PSE, C-Tick		
Environment		Dry / Damp / Wet Location, IP66			

\* 1 ft (305 mm) lumen output measurements comply with IES LM-79-08 testing procedures. 2 ft (610 mm), 3 ft (914 mm), and 4 ft (1219 mm) measurements are estimated based on the 1 ft (305 mm) measurements.

‡ L70 = 70% lumen maintenance (when light output drops below 70% of initial output). L50 = 50% lumen maintenance (when light output drops below 50% of initial output). Ambient luminaire temperatures specified. Lumen maintenance calculations are based on lifetime prediction graphs supplied by LED source manufacturers. Calculations for white-light LED fixtures are based on measurements that comply with IES LM-80-08 testing procedures. Refer to [www.philipscolorkinetics.com/support/appnotes/lm-80-08.pdf](http://www.philipscolorkinetics.com/support/appnotes/lm-80-08.pdf) for more information.



# PHILIPS

## Fixtures and Accessories

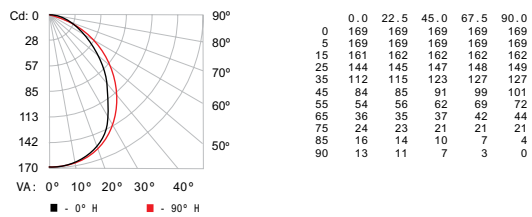
Item	Type		Item Number	Philips 12NC
iW Graze EC Powercore	90° x 90° beam angle	1 ft (305 mm)	523-000079-40	910503703684
		2 ft (610 mm)	523-000079-41	910503703685
		3 ft (914 mm)	523-000079-42	910503703686
		4 ft (1219 mm)	523-000079-43	910503703687
Leader Cable with Terminator	UL / cUL	10 ft (3.0 m)	108-000055-03	910503704066
		50 ft (15.2 m)	108-000055-00	910503703137
	CE / PSE	10 ft (3.0 m)	108-000055-04	910503704067
		50 ft (15.2 m)	108-000055-01	910503704064
Jumper Cable	UL / cUL	End-to-End	108-000057-00	910503703139
		1 ft (305 mm)	108-000057-03	910503704076
		5 ft (1.5 m)	108-000057-06	910503704079
		10 ft (3.0 m)	108-000057-09	910503704082
	CE / PSE	End-to-End	108-000057-01	910503704074
		1 ft (305 mm)	108-000057-04	910503704077
		5 ft (1.5 m)	108-000057-07	910503704080
		10 ft (3.0 m)	108-000057-10	910503704083
Glare Shield		1 ft (305 mm)	120-000081-00	910503700745
		2 ft (610 mm)	120-000081-01	910503700746
		3 ft (914 mm)	120-000081-02	910503700747
		4 ft (1219 mm)	120-000081-03	910503700748
Additional Terminators	Quantity 10	120-000157-00	910503703142	
Additional Hinge	Quantity 1	120-000098-00	910503700772	

Use Item Number when ordering in North America.

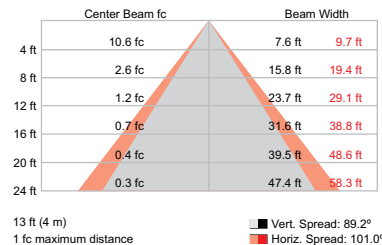
## Photometrics

iW Graze EC Powercore  
1 ft, 90° x 90° beam angle

### Polar Candela Distribution



### Illuminance at Distance



Lumens	Efficacy
412	29.6

For lux multiply fc by 10.7



Philips Color Kinetics  
3 Burlington Woods Drive  
Burlington, Massachusetts 01803 USA  
Tel 888.385.5742  
Tel 617.423.9999  
Fax 617.423.9998  
www.philipscolorkinetics.com

Copyright © 2013 – 2014 Philips Solid-State Lighting Solutions, Inc. All rights reserved.  
Chromacore, Chromasic, CK, the CK logo, Color Kinetics, the Color Kinetics logo, ColorBlast, ColorBlaze, ColorBurst, eW Fuse, ColorGraze, ColorPlay, ColorReach, iW Reach, eW Reach, DIMand, EssentialWhite, eW, iColor, iColor Cove, IntelliWhite, iW, iPlayer, Optibin, and Powercore are either registered trademarks or trademarks of Philips Solid-State Lighting Solutions, Inc. in the United States and / or other countries. All other brand or product names are trademarks or registered trademarks of their respective owners. Due to continuous improvements and innovations, specifications may change without notice.  
DAS-000115-41 R01 10-14