



Date: \_\_\_\_\_ Type: \_\_\_\_\_

Firm Name: \_\_\_\_\_

Project: \_\_\_\_\_

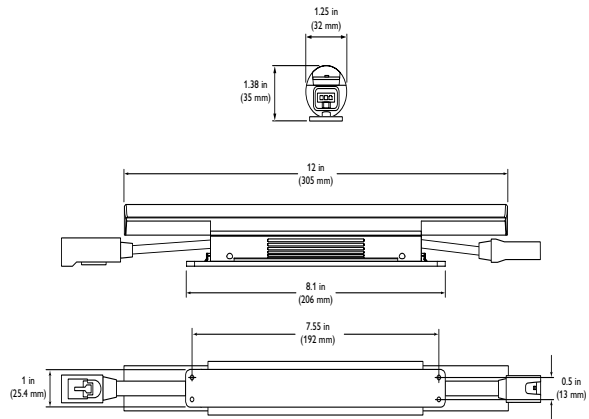
# iColor Cove EC Powercore

Cost-effective line-voltage LED cove and accent fixture with intelligent color light

iColor Cove EC Powercore is the most cost-effective member of the popular iColor Cove family. This compact fixture is designed for accent, perimeter, cove lighting, and backlighting where lower light intensity and lower costs are desired. iColor Cove EC Powercore combines professional-grade color mixing with the efficiency and cost-effectiveness of patented Powercore technology to bring color-changing light and lighting effects to alcoves, task areas, and other tight spaces.

- High-quality light output, low power consumption — iColor Cove EC Powercore delivers professional-grade illuminance with total light output of approximately 90 lumens per foot, while consuming only 5 W per foot.
- Integrates patented Powercore technology — Powercore rapidly, efficiently, and accurately controls power output to fixtures directly from line voltage, eliminating the need for an external power supply. Contractor-friendly installation dramatically simplifies installation and lowers total system cost.
- Superior color consistency — Optibin, a proprietary binning optimization process, guarantees uniformity and consistency of hue across LEDs, fixtures, and manufacturing runs.
- Advanced color mixing — Patented Chromacore technology, pioneered by Philips Color Kinetics, enables precise control over individual LED channels to produce millions of colors and full-color, dynamic effects.
- Easy installation — Powercore delivers line voltage directly to the fixtures, simplifying installation by eliminating the need for external power supplies and allowing long product runs.

- Universal power input range — iColor Cove EC Powercore fixtures accept power input of 100 – 277 VAC for consistent installation anywhere in the world.
- Industry-leading controls — iColor Cove EC Powercore fixtures work seamlessly with the complete Philips line of controllers, including ColorDial Pro, iPlayer 3, and Light System Manager, as well as third-party controllers.



- Flexible mounting and positioning — With end-to-end locking power connectors that can make 180° turns, iColor Cove EC Powercore fixtures are easy to position in even the most challenging mounting circumstances. Fixtures rotate in 10° increments through a full 180° for precise aiming and beam mixing. Optional mounting tracks support vertical and overhead positioning. 1 ft (305 mm), 2 ft (610 mm), and 5 ft (1.5 m) jumper cables can add extra space between fixtures.

For detailed product information, please refer to iColor Cove EC Powercore Product Guide at [www.philipscolorkinetics.com/ls/rgb/icolorcovepowercore/](http://www.philipscolorkinetics.com/ls/rgb/icolorcovepowercore/)



## Specifications

Due to continuous improvements and innovations, specifications may change without notice.

Item	Specification	Details
Output	Beam Angle	110° x 120°
	Lumens*	90
	Lumen Maintenance†	45,000 hours L70 @ 50° C 100,000 hours L70 @ 25° C 80,000 hours L50 @ 50° C 100,000 hours L50 @ 25° C
	LED Channels	Red / Green / Blue
Electrical	Input Voltage	100 – 277 VAC, auto-ranging, 50 / 60 Hz
	Power Consumption	5 W maximum at full output, steady state
Control	Interface	Data Enabler Pro (DMX or Ethernet)
	Control System	Philips Color Kinetics full range of controllers, including Light System Manager, iPlayer 3, and ColorDial Pro, or third-party controllers
Physical	Dimensions (Height x Width x Depth)	1.38 x 12 x 1.25 in (35 x 305 x 42 mm) (110° x 120°)
	Weight	0.42 lb (189 g)
	Housing	Injection-molded plastic, gray finish
	Lens	Polycarbonate
	Fixture Connections	Integral male / female connectors
	Temperature Ranges	-4° – 122° F (-20° – 50° C) Operating -4° – 122° F (-20° – 50° C) Startup -40° – 176° F (-40° – 80° C) Storage
	Humidity	0 – 95%, non-condensing
Certification and Safety	Certification	UL / cUL, FCC Class B, CE, CSA, CQC, C-Tick
	Environment	Dry / Damp Location, IP20
Fixture Run Lengths		To calculate fixture run lengths and total power consumption for your specific installation, download the Configuration Calculator from <a href="http://www.philipscolorkinetics.com/support/install_tool/">www.philipscolorkinetics.com/support/install_tool/</a>

\* Lumen measurement complies with IES LM-79-08 testing procedures.



† L70 = 70% lumen maintenance (when light output drops below 70% of initial output); L50 = 50% lumen maintenance (when light output drops below 50% of initial output). Ambient luminaire temperatures specified. Lumen maintenance calculations are based on lifetime prediction graphs supplied by LED source manufacturers. Calculations for white-light LED fixtures are based on measurements that comply with IES LM-80-08 testing procedures. Refer to [www.philipscolorkinetics.com/support/appnotes/lm-80-08.pdf](http://www.philipscolorkinetics.com/support/appnotes/lm-80-08.pdf) for more information.

## Fixtures and Accessories

Item	Type	Item Number	Philips 12NC
iColor Cove EC Powercore	UL / cUL / CE / CCC	123-000023-00	910503702809
Mounting Track, 1 @ 4 ft (1219 mm)	White	120-000125-00	910503701788
	Black	523-000006-01	910503700452
Leader Cable with Terminator	10 ft (3.1 m)	UL / cUL	108-000060-00 910503703198
		CE / CCC	108-000060-01 910503703199
Jumper Cable	1 ft (305 mm)	UL / cUL	108-000061-00 910503703203
		CE / CCC	108-000061-02 910503703205
	5 ft (1.5 m)	UL / cUL	108-000061-01 910503703204
		CE / CCC	108-000061-03 910503703206
Wiring Compartment	UL / cUL	120-000077-03	910503702867
Terminators, Quantity 10		120-000099-02	910503703261
Data Enabler Pro	3/4 in / 1/2 in NPT (U.S. trade size conduit)	106-000004-00	910503701210
	PG21 / PG13 (metric size conduit)	106-000004-01	910503701211

Use Item Number when ordering in North America.

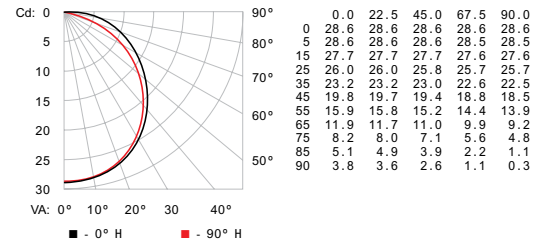


Philips Color Kinetics  
3 Burlington Woods Drive  
Burlington, Massachusetts 01803 USA  
Tel 888.385.5742  
Tel 617.423.9999  
Fax 617.423.9998  
[www.philipscolorkinetics.com](http://www.philipscolorkinetics.com)  
@ColorKinetics

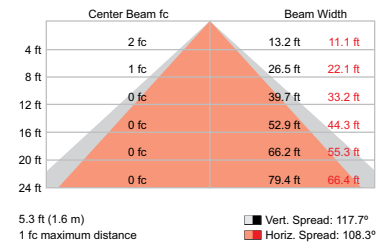
## Photometrics

### iColor Cove EC Powercore

#### Polar Candela Distribution



#### Illuminance at Distance



LED	Lumens	Efficacy
RGB	90	10.5

For lux multiply fc by 10.7



Copyright © 2014 Philips Solid-State Lighting Solutions, Inc. All rights reserved.  
Chromacore, Chromasic, CK, the CK logo, Color Kinetics, the Color Kinetics logo, ColorBlast, ColorBlaze, ColorBurst, eW Fuse, ColorGraze, ColorPlay, ColorReach, iW Reach, eW Reach, DIMand, EssentialWhite, eW, iColor, iColor Cove, IntelliWhite, iW, iPlayer, Optibin, and Powercore are either registered trademarks or trademarks of Philips Solid-State Lighting Solutions, Inc. in the United States and / or other countries. All other brand or product names are trademarks or registered trademarks of their respective owners. Due to continuous improvements and innovations, specifications may change without notice.  
DAS-000106-01 R03 08-14