



Date: _____ Type: _____

Firm Name: _____

Project: _____

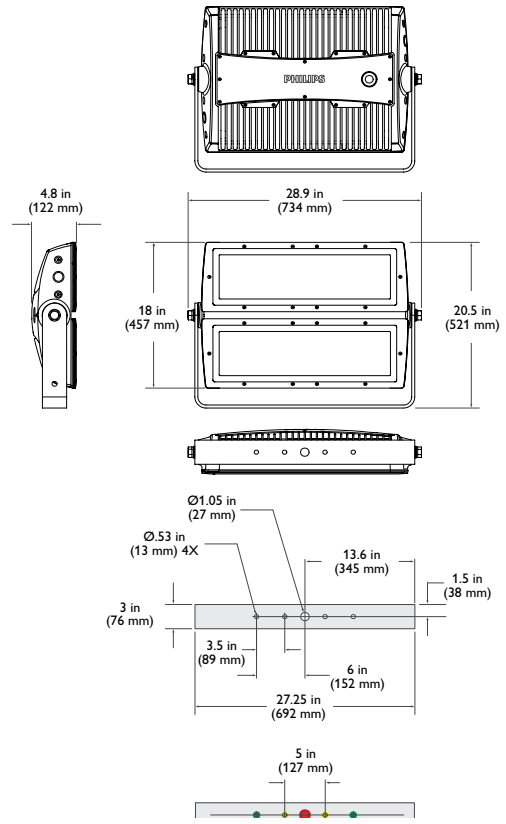
eW Reach Powercore

13° Spread Lens, CQC

Premium long-throw exterior LED floodlight with solid white light

eW® Reach Powercore is the first white light / solid-color exterior architectural LED floodlight powerful enough to brilliantly and dynamically illuminate large architectural façades. eW Reach Powercore combines all the benefits of LED-based lighting in an elegant fixture specifically designed for large-scale installations, such as commercial skyscrapers, casinos, large retail exteriors, bridges, piers, public monuments, and themed attractions. With significantly more lumen output than any other competitive fixture and unprecedented light projection of over 800 ft (243.8 m), this powerful fixture represents the next generation in exterior illumination. Fixtures are available in eight color temperatures, ranging from a warm 2700 K to a cool 6500 K, and five solid colors — Royal Blue, Blue, Green, Amber, and Red.

- Integrates Powercore® technology — eW Reach Powercore fixtures rapidly, efficiently, and accurately process power directly from line voltage, eliminating the need for additional, external power supplies.
- Unparalleled light output — With an output of over 11,000 lumens and light projection of over 800 feet (243.8 m) at 4000 K, eW Reach Powercore is the first fixture to offer legitimate LED-based white light illumination of large-scale structures and objects.
- Versatile optics — Exchangeable spread lenses of 8°, 13°, 23°, 40°, 63°, and an asymmetric 5° x 17° support a variety of photometric distributions for a multitude of applications, including spotlighting, wall grazing, and asymmetric wall washing. Bezel and gasket ship with spread lenses for easy user installation.
- Unique split design — Spread lenses fit over each half of the fixture to support diffuser combinations. For instance, you could use one spread lens on the fixture's lower half to bathe a large façade with light at street level, and a different spread lens to project light hundreds of feet up the building's walls.



- Simple fixture positioning — Rugged, slim-profile mounting bracket allows flexible positioning and fixture rotation through a full 360°. Side locking bolts reliably secure fixture with standard wrench.
- Universal power input range — eW Reach Powercore gen2 accepts a universal power input range of 100 – 240 VAC, allowing consistent installation in any location around the world.

For detailed product information, please refer to the eW Reach Powercore Product Guide at www.colorkinetics.com/ls/essentialwhite/ewreach/

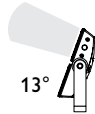


Photometrics / eW Reach Powercore 13° spread lens

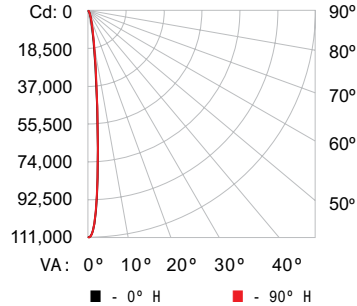
Photometric data is based on test results from an independent NIST traceable testing lab. IES data is available at www.philipscolorkinetics.com/support/ies.

2700 K

Lumens	5221
Efficacy	42.7 lm/W



Polar Candela Distribution



	0	25	45	70	90
0	110941	110941	110941	110941	110941
5	63510	62836	61613	60280	60507
15	1864	1708	1568	1481	1522
25	265	261	257	252	261
35	145	142	135	133	150
45	77	73	69	70	74
55	52	51	47	48	48
65	40	39	35	36	35
75	31	30	28	28	28
85	25	25	24	25	25
90	24	24	24	24	25

Illuminance at Distance

	Center Beam fc	Beam Width
4 ft	6,934 fc	0.8 ft 0.7 ft
8 ft	1,734 fc	1.6 ft 1.4 ft
12 ft	770 fc	2.4 ft 2.1 ft
16 ft	433 fc	3.2 ft 2.9 ft
20 ft	277 fc	4.0 ft 3.6 ft
24 ft	193 fc	4.8 ft 4.3 ft

443 ft (135.0 m)
1 fc maximum distance

■ Vert. Spread: 11.5°
■ Horiz. Spread: 10.2°

Coefficients Of Utilization - Zonal Cavity Method

Effective Floor Cavity Reflectance: 20%

RCC %:	80		70		50		30		10		0	
RW %:	70	50	30	0	70	50	30	0	70	50	30	0
0	119	119	119	119	116	116	116	100	111	111	111	100
1	116	114	112	111	113	112	110	98	108	107	106	101
2	113	110	107	105	111	108	106	97	105	103	102	100
3	110	107	104	101	109	105	103	95	103	101	99	101
4	108	104	101	99	107	103	100	94	101	99	97	99
5	106	102	99	96	105	101	98	93	100	97	95	98
6	105	100	97	95	104	99	97	93	98	96	94	97
7	103	99	96	94	102	98	95	92	97	95	93	96
8	102	97	94	92	101	97	94	91	96	94	92	95
9	101	96	93	91	100	96	93	90	95	93	91	94
10	100	95	92	91	99	95	92	90	94	92	90	93

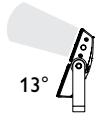
Zonal Lumen

Zone	Lumens	% Fixture
0 - 60	5126.3	98.2 %
60 - 90	95.1	1.8 %
0 - 90	5221.4	100.0 %

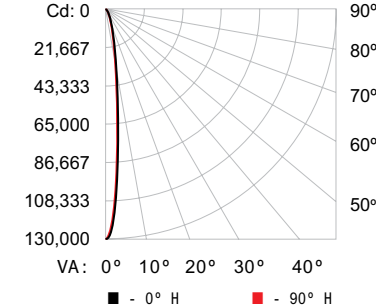
For lux multiply fc by 10.7

4000 K

Lumens	6110
Efficacy	48.5 lm/W



Polar Candela Distribution



	0	25	45	70	90
0	129750	129750	129750	129750	129750
5	76316	74035	71246	67927	66832
15	2562	2355	2060	1717	1576
25	310	306	300	292	295
35	168	166	157	155	173
45	91	87	81	82	85
55	63	60	56	56	56
65	47	46	42	42	42
75	37	35	34	33	33
85	30	29	29	29	29
90	29	29	29	29	29

Illuminance at Distance

	Center Beam fc	Beam Width
4 ft	8,109 fc	0.8 ft 0.7 ft
8 ft	2k027 fc	1.6 ft 1.4 ft
12 ft	901 fc	2.4 ft 2.1 ft
16 ft	507 fc	3.3 ft 2.8 ft
20 ft	324 fc	4.1 ft 3.6 ft
24 ft	225 fc	4.9 ft 4.3 ft

360 ft 109.7 m)
1 fc maximum distance

■ Vert. Spread: 11.6°
■ Horiz. Spread: 10.2°

Coefficients Of Utilization - Zonal Cavity Method

Effective Floor Cavity Reflectance: 20%

RCC %:	80		70		50		30		10		0	
RW %:	70	50	30	0	70	50	30	0	70	50	30	0
0	119	119	119	119	116	116	116	100	111	111	111	100
1	116	114	112	111	113	112	110	98	108	107	106	101
2	113	110	107	105	111	108	106	97	105	103	102	100
3	110	107	104	101	109	105	103	96	103	101	99	101
4	108	104	101	99	107	103	100	94	101	99	97	99
5	106	102	99	96	105	101	98	94	100	97	95	98
6	105	100	97	95	104	100	97	93	98	96	94	97
7	103	99	96	94	102	98	95	92	97	95	93	96
8	102	97	94	92	101	97	94	91	96	94	92	95
9	101	96	93	91	100	96	93	91	95	93	91	94
10	100	95	92	91	99	95	92	90	94	92	90	93

Zonal Lumen

Zone	Lumens	% Fixture
0 - 60	5997.3	98.2 %
60 - 90	112.6	1.8 %
0 - 90	6109.9	100.0 %

For lux multiply fc by 10.7

Specifications

Due to continuous improvements and innovations, specifications may change without notice.

Item	Specification	2700 K* (Half Unit)	4000 K* (Half Unit)
Output	Lumens†	5221	6110
	Efficacy (lm / W)	42.7	48.5
	CRI	80	82.5
Electrical	Input Voltage	100 – 240 VAC, auto-switching, 50 / 60 Hz	
	Power Consumption	250 W maximum at full output, steady state	
	Power Factor	.989 @ 120 VAC	
Control		On / Off; digital dimming by 4 connector cable & DE Pro	
Physical	Dimensions (Height x Width x Depth)	20.5 x 28.9 x 4.8 in (521 x 734 x 122 mm)	
	Weight	75 lb (34 kg)	
	Effective Projected Area (EPA)	0.42 m ²	
	Housing	Die-cast aluminium, powder-coated finish	
	Lens	Tempered glass	
	Fixture Connections	6 ft (1.8 m) Leader Cable	
	Temperature Ranges	-40° – 122° F (-40° – 50° C) Operating -4° – 122° F (-20° – 50° C) Startup -40° – 176° F (-40° – 80° C) Storage	
	Fixture Run Lengths	To calculate fixture run lengths and total power consumption for your specific installation, download the Configuration Calculator from www.philipscolorkinetics.com/support/install_tool/	
Humidity	0 – 95%, non-condensing		
Certification and Safety	Certification	CQC, FCC Class A, CE, PSE	
	Environment	Dry / Damp / Wet Location, IP66	

* Correlated color temperature (CCT) complies with ANSI C78.377-2008 for the chromaticity of solid state lighting products

† Lumen measurement complies with IES LM-79-08 testing procedures



eW Reach Powercore fixtures are part of a complete line-voltage system which includes fixtures and:

- One 6 ft (1.8 m) Leader Cable to connect each eW Reach Powercore fixture to a power source
- 3-conductor copper wire to connect eW Reach Powercore fixtures in series or in parallel. Standard 12 AWG (2.05 mm) stranded wire is recommended

For detailed product information, please refer to the eW Reach Powercore Product Guide at www.colorkinetics.com/ls/essentialwhite/ewreach/

Lumen Maintenance

Threshold*	Ambient Temperature	Reported†	Calculated†
L90	@ 25°C	42,300 hrs	84,100 hrs
	@ 50°C	42,300 hrs	48,300 hrs
L80	@ 25°C	42,300 hrs	>100,000 hrs
	@ 50°C	42,300 hrs	>100,000 hrs
L70	@ 25°C	42,300 hrs	>100,000 hrs
	@ 50°C	42,300 hrs	>100,000 hrs

* L_{xx} = xx% lumen maintenance (when light output drops below xx% of initial output). All values are given at B50, or the median value where 50% of the LED population is better than the reported or calculated lumen maintenance measurement.

† Lumen maintenance figures are based on lifetime prediction graphs supplied by LED source manufacturers. Whenever possible, figures use measurements that comply with IES LM-80-08 testing procedures.

In accordance with TM-21-11, Reported values represent the interpolated value based on six times the LM-80-08 total test duration (in hours). Calculated values represent time durations that exceed six times the total test duration.

Fixtures and Accessories

Item	Type	Item Number	Philips 12NC
eW Reach Powercore gen2 <i>Includes 6 ft (1.8 m) leader cable</i>	2700 K	523-000044-51	912400130275
	4000 K	523-000044-53	912400130276
3 Conductor Replacement Leader Cable; 6 ft (1.8 m)	CE	108-000046-01	910503700622
4 Conductor Replacement Leader Cable (required to digitally dim unit, w/ DE Pro): 6 ft (1.8 m)	CE	108-000043-03	910503700454
Data Enabler Pro (required to digitally dim unit)	PG21 / PG13 (metric size conduit)	106-000004-01	910503701211
Spread Lens with bezel	8°	120-000068-05	910503700511
	13°	120-000068-00	910503700506
	23°	120-000068-01	910503700507
	40°	120-000068-02	910503700508
	63°	120-000068-03	910503700509
	Asymmetric (5° x 17°)	120-000068-04	910503700510

Use Item Number when ordering in North America.



Philips Color Kinetics
 3 Burlington Woods Drive
 Burlington, Massachusetts 01803 USA
 Tel 888.385.5742
 Tel 617.423.9999
 Fax 617.423.9998
www.colorkinetics.com
 @ColorKinetics

Copyright © 2009 - 2014 Philips Solid-State Lighting Solutions, Inc. All rights reserved. Chromacore, Chromasic, CK, the CK logo, Color Kinetics, the Color Kinetics logo, ColorBlast, ColorBlaze, ColorBurst, ColorGraze, ColorPlay, ColorReach, DIMand, EssentialWhite, eWV, iColor, iColor Cove, IntelliWhite, iW, iPlayer, Light Without Limits, Optibin, and Powercore are either registered trademarks or trademarks of Philips Solid-State Lighting Solutions, Inc. in the United States and/or other countries. All other brand or product names are trademarks or registered trademarks of their respective owners. Due to continuous improvements and innovations, specifications may change without notice.

DAS-000031-04 R06 08-14