



Date: _____ Type: _____

Firm Name: _____

Project: _____

eW Reach Compact Powercore

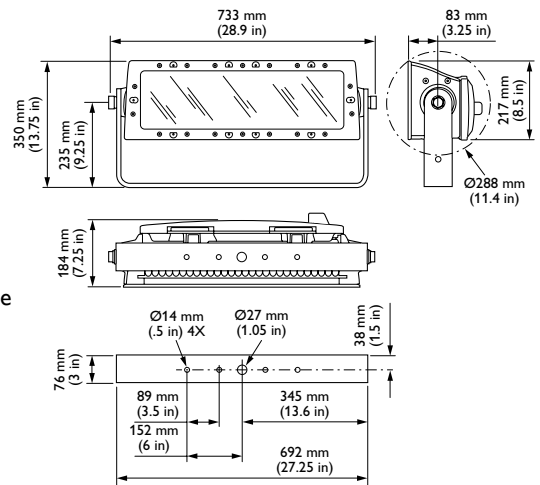
5° x 17° asymmetric spread lens, UL / CE

Premium long-throw compact exterior LED floodlight with solid white light

eW Reach Compact Powercore combines all the benefits of LED-based lighting in a compact fixture specifically designed for large-scale installations calling for high-quality white light, including commercial skyscrapers, casinos, large retail exteriors, bridges, piers, public monuments, and themed attractions. With levels of light output and projection never before achieved in a compact LED lighting fixture, eW Reach Compact Powercore delivers intense, energy-efficient output at a reasonable price, opening up new possibilities for exterior illumination. Standard configurations include a warm 2700 K and a cool 4000 K, with six additional color temperatures available, ranging from 3000 K to 6500 K.

- Intense light output — eW Reach Compact Powercore outputs thousands of lumens and throws light hundreds of feet, delivering legitimate LED-based illumination of large-scale structures and objects in a compact, fully-sealed housing.
- Integrates Powercore technology — Fixtures rapidly, efficiently, and accurately process power directly from line voltage, eliminating the need for additional, external power supplies.
- Versatile optics — Exchangeable spread lenses of 8°, 13°, 23°, 40°, 63°, and an asymmetric 5° x 17° support a variety of photometric distributions for a multitude of applications, including spotlighting, wall grazing, and asymmetric wall washing. Bezel and gasket ship with spread lenses for easy user installation.

- Rich, uniform white light — High-performance LEDs offer rich, uniform white light at significantly less cost for installation, operation, and maintenance than traditional light sources.
- Simple fixture positioning — Rugged, slim-profile mounting bracket allows flexible positioning and fixture rotation through a full 360°. Side locking bolts reliably secure fixture with standard wrench.



- Universal power input range — Accepts a universal power input range of 100 – 277 VAC, allowing long fixture runs and consistent installation in any location around the world.

For detailed product information, please refer to the eW Reach Compact Powercore Product Guide at www.philipscolorkinetics.com/l/essentialwhite/ewreachcompact/

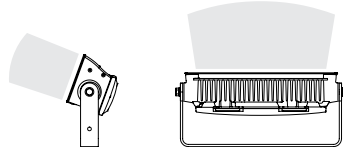


Photometrics / eW Reach Compact Powercore, 5° x 17° spread lens

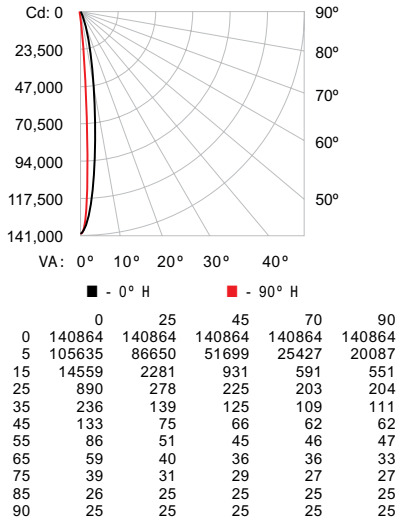
2700 K, 5° x 17° asymmetric spread lens

2700 K

Lumens	5390
Efficacy	44 lm / W



Polar Candela Distribution



Illuminance at Distance

Center Beam fc	Beam Width
4 ft: 8,804 fc	1.1 ft 0.4 ft
8 ft: 2,201 fc	2.3 ft 0.8 ft
12 ft: 978 fc	3.4 ft 1.2 ft
16 ft: 550 fc	4.5 ft 1.6 ft
20 ft: 352 fc	5.7 ft 2.0 ft
24 ft: 245 fc	6.8 ft 2.4 ft

375 ft (114.3 m) 1 fc maximum distance
 Vert. Spread: 16.1°
 Horiz. Spread: 5.8°

Coefficients Of Utilization - Zonal Cavity Method

Effective Floor Cavity Reflectance: 20%

RCC %:	80	70	50	30	10	0
RW %:	70 50 30 0	70 50 30 0	50 30 20	50 30 20	50 30 20	0
RCR:	0 119 119 119 119	116 116 116 100	111 111 111	106 106 106	102 102 102	100
1	116 114 112 110	113 112 110 98	108 106 105	104 103 102	101 100 99	98
2	113 110 107 105	111 108 106 96	105 103 101	102 101 99	99 98 97	96
3	110 106 103 101	108 105 102 95	103 100 99	100 99 97	98 97 96	94
4	108 103 100 98	106 102 100 94	101 98 96	99 97 95	97 96 94	93
5	106 101 98 96	105 100 97 93	99 96 94	97 95 94	96 94 93	92
6	104 99 96 94	103 99 96 92	97 95 93	96 94 92	95 93 92	91
7	102 98 94 92	101 97 94 91	96 94 92	95 93 91	94 92 91	90
8	101 96 93 91	100 96 93 90	95 92 91	94 92 90	93 91 90	89
9	100 95 92 90	99 94 92 89	94 91 90	93 91 89	93 91 89	88
10	98 94 91 89	98 93 91 88	93 90 89	92 90 88	92 90 88	88

Zonal Lumen

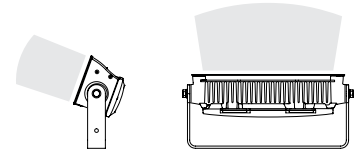
Zone	Lumens	% Fixture
0 - 60	5292.8	98.2 %
60 - 90	96.9	1.8 %
0 - 90	5389.6	100.0 %

For lux multiply fc by 10.7

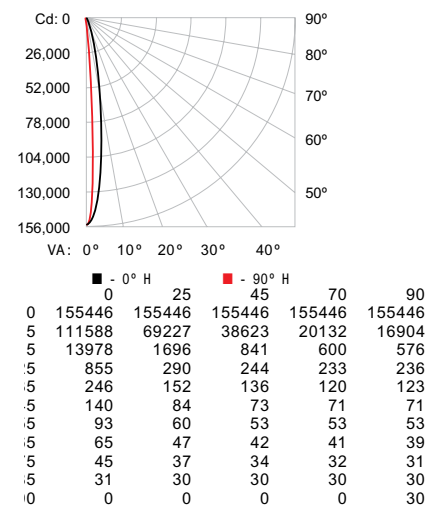
4000 K, 5° x 17° asymmetric spread lens

4000 K

Lumens	6224
Efficacy	50.7 lm / W



Polar Candela Distribution



Illuminance at Distance

Center Beam fc	Beam Width
4 ft: 9,175 fc	1.1 ft 0.4 ft
8 ft: 2,429 fc	2.3 ft 0.8 ft
12 ft: 1,080 fc	3.4 ft 1.3 ft
16 ft: 607 fc	4.6 ft 1.7 ft
20 ft: 389 fc	5.7 ft 2.1 ft
24 ft: 270 fc	6.9 ft 2.5 ft

365 ft (120.4 m) 1 fc maximum distance
 Vert. Spread: 16.3°
 Horiz. Spread: 6.0°

Coefficients Of Utilization - Zonal Cavity Method

Effective Floor Cavity Reflectance: 20%

RCC %:	80	70	50	30	10	0
RW %:	70 50 30 0	70 50 30 0	50 30 20	50 30 20	50 30 20	0
RCR:	0 119 119 119 119	116 116 116 100	111 111 111	106 106 106	102 102 102	100
1	116 114 112 110	113 112 110 98	108 106 105	104 103 102	101 100 99	98
2	113 109 107 105	111 108 106 96	105 103 101	102 101 99	99 98 97	96
3	110 106 103 101	108 105 102 95	103 100 99	100 99 97	98 97 96	94
4	108 103 100 98	106 102 99 94	101 98 96	99 97 95	97 96 94	93
5	106 101 98 96	105 100 97 93	99 96 94	97 95 94	96 94 93	92
6	104 99 96 94	103 99 96 92	97 95 93	96 94 92	95 93 92	91
7	102 97 94 92	101 97 94 91	96 94 92	95 93 91	94 92 91	90
8	101 96 93 91	100 96 93 90	95 92 90	94 92 90	93 91 90	89
9	100 95 92 90	99 94 92 89	94 91 89	93 91 89	93 91 89	88
10	98 94 91 89	98 93 91 88	93 90 89	92 90 88	92 90 88	87

Zonal Lumen

Zone	Lumens	% Fixture
0 - 60	6110.9	98.2 %
60 - 90	113.4	1.8 %
0 - 90	6224.3	100.0 %

For lux multiply fc by 10.7

Specifications

Due to continuous improvements and innovations, specifications may change without notice.

Item	Specification	2700 K*	4000 K*
Output	Lumens†	5390	6224
	Efficacy (lm / W)	44	50.7
	CRI	80 (2700 K) 82 (4000 K)	
Electrical	Input Voltage	100 – 277 VAC, auto-switching, 50 / 60 Hz	
	Power Consumption	125 W	
	Power Factor	.967 @ 120 VAC (2700 K) .961 @ 120 VAC (4000 K)	
Control		On / Off, digital dimming by 4 connector cable & DE Pro	
Physical	Dimensions (Height x Width x Depth)	8.5 x 28.9 x 7.7 in (217 x 733 x 196 mm)	
	Weight	51 lb (23 kg)	
	Effective Projected Area (EPA)	0.186 m ²	
	Housing	Die-cast aluminium, powder-coated finish	
	Lens	Tempered glass	
	Fixture Connections	Integral male / female waterproof connector, 10 ft (3.0 m) power cable	
	Temperature Ranges	-40° – 122° F (-40° – 50° C) Operating -4° – 122° F (-20° – 50° C) Startup -40° – 176° F (-40° – 80° C) Storage	
Humidity	0 – 95%, non-condensing		
Certification and Safety	Certification	UL / cUL, FCC Class A, CE, PSE	
	Environment	Dry / Damp / Wet Location, IP66	

* Correlated color temperature (CCT) complies with ANSI C78.377-2008 for the chromaticity of solid state lighting products.

† Lumen measurement complies with IES LM-79-08 testing procedures.



Lumen Maintenance

Threshold*	Ambient Temperature	Reported†	Calculated†
L90	@ 25°C	42,400 hrs	42,400 hrs
	@ 50°C	42,400 hrs	42,400 hrs
L80	@ 25°C	>100,000 hrs	>100,000 hrs
	@ 50°C	>100,000 hrs	>100,000 hrs
L70	@ 25°C	>100,000 hrs	>100,000 hrs
	@ 50°C	>100,000 hrs	>100,000 hrs

* L_{xx} = xx% lumen maintenance (when light output drops below xx% of initial output). All values are given at B50, or the median value where 50% of the LED population is better than the reported or calculated lumen maintenance measurement.

† Lumen maintenance figures are based on lifetime prediction graphs supplied by LED source manufacturers. Whenever possible, figures use measurements that comply with IES LM-80-08 testing procedures.

In accordance with TM-21-11, Reported values represent the interpolated value based on six times the LM-80-08 total test duration (in hours). Calculated values represent time durations that exceed six times the total test duration.

Fixtures and Accessories

Item	Type	Item Number	Philips 12NC	
eW Reach Compact Powercore <i>Includes 10 ft (3.0 m) Leader Cable</i>	2700K	UL / cUL	523-000095-00	910503703281
		CE / PSE	523-000095-06	912400130228
	4000K	UL / cUL	523-000095-03	912400130225
		CE / PSE	523-000095-09	912400130231
3 Conductor Replacement Leader Cable:	10 ft (3.0 m)	UL / cUL	108-000056-03	910503704071
		CE / PSE	108-000056-04	910503704072
	50 ft (15.2 m)	UL / cUL	108-000056-00	910503703138
		CE / PSE	108-000056-01	910503704069
4 Conductor Replacement Leader Cable: (required to digitally dim unit, w/ DE Pro)	10 ft (3.0 m)	UL / cUL	108-000055-03	910503704066
		CE / PSE	108-000055-04	910503704067
	50 ft (15.2m)	UL / cUL	108-000055-00	910503703137
		CE / PSE	108-000055-01	910503704064
Data Enabler Pro (required to digitally dim unit)	3/4 in / 1/2 in NPT (US trade size conduit)	106-000004-00	910503701210	
	PG21 / PG13 (metric size conduit)	106-000004-01	910503701211	
Spread Lens with bezel	8°	120-000068-05	910503700511	
	13°	120-000068-00	910503700506	
	23°	120-000068-01	910503700507	
	40°	120-000068-02	910503700508	
	63°	120-000068-03	910503700509	
	Asymmetric (5° x 17°)	120-000068-04	910503700510	

Use Item Number when ordering in North America.



Philips Color Kinetics
 3 Burlington Woods Drive
 Burlington, Massachusetts 01803 USA
 Tel 888.385.5742
 Tel 617.423.9999
 Fax 617.423.9998
www.philipscolorkinetics.com
 @ColorKinetics

Copyright © 2012 – 2104 Philips Solid-State Lighting Solutions, Inc. All rights reserved.
 Chromacore, Chromasic, CK, the CK logo, Color Kinetics, the Color Kinetics logo, ColorBlast,
 ColorBlaze, ColorBurst, eW Fuse, ColorGraze, ColorPlay, ColorReach, iW Reach, eW Reach,
 DIMand, EssentialWhite, eW, iColor, iColor Cove, IntelliVWhite, iW, iPlayer, Optibin, and Powercore
 are either registered trademarks or trademarks of Philips Solid-State Lighting Solutions, Inc. in
 the United States and / or other countries. All other brand or product names are trademarks
 or registered trademarks of their respective owners. Due to continuous improvements and
 innovations, specifications may change without notice.

DAS-000140-07 R00 08-14