



Date: _____ Type: _____

Firm Name: _____

Project: _____

eW Reach Compact Powercore

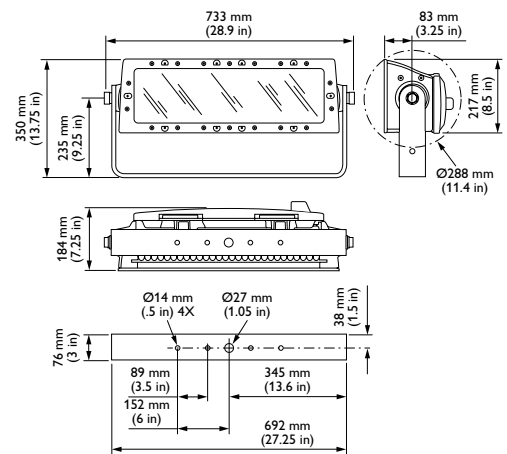
40° spread lens, UL / CE

Premium long-throw compact exterior LED floodlight with solid white light

eW Reach Compact Powercore combines all the benefits of LED-based lighting in a compact fixture specifically designed for large-scale installations calling for high-quality white light, including commercial skyscrapers, casinos, large retail exteriors, bridges, piers, public monuments, and themed attractions. With levels of light output and projection never before achieved in a compact LED lighting fixture, eW Reach Compact Powercore delivers intense, energy-efficient output at a reasonable price, opening up new possibilities for exterior illumination. Standard configurations include a warm 2700 K and a cool 4000 K, with six additional color temperatures available, ranging from 3000 K to 6500 K.

- Intense light output — eW Reach Compact Powercore outputs thousands of lumens and throws light hundreds of feet, delivering legitimate LED-based illumination of large-scale structures and objects in a compact, fully-sealed housing.
- Integrates Powercore technology — Fixtures rapidly, efficiently, and accurately process power directly from line voltage, eliminating the need for additional, external power supplies.
- Versatile optics — Exchangeable spread lenses of 8°, 13°, 23°, 40°, 63°, and an asymmetric 5° x 17° support a variety of photometric distributions for a multitude of applications, including spotlighting, wall grazing, and asymmetric wall washing. Bezel and gasket ship with spread lenses for easy user installation.

- Rich, uniform white light — High-performance LEDs offer rich, uniform white light at significantly less cost for installation, operation, and maintenance than traditional light sources.
- Simple fixture positioning — Rugged, slim-profile mounting bracket allows flexible positioning and fixture rotation through a full 360°. Side locking bolts reliably secure fixture with standard wrench.



- Universal power input range — Accepts a universal power input range of 100 – 277 VAC, allowing long fixture runs and consistent installation in any location around the world.

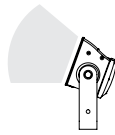
For detailed product information, please refer to the eW Reach Compact Powercore Product Guide at www.philipscolorkinetics.com/l/essentialwhite/ewreachcompact/



Photometrics / eW Reach Compact Powercore, 40° spread lens

2700 K

Lumens	5238
Efficacy	43.6 lm / W

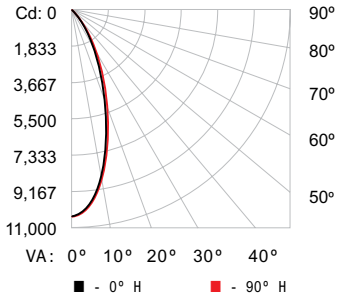


4000 K

Lumens	6049
Efficacy	49.1 lm / W

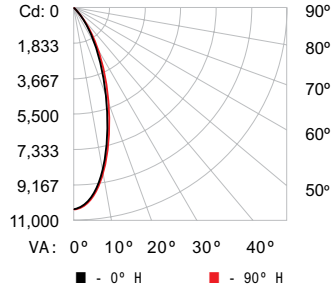


Polar Candela Distribution



	0	25	45	70	90
0	10357	10357	10357	10357	10357
5	9641	9682	9694	9752	9800
15	6464	6526	6617	6762	6852
25	3016	3052	3135	3274	3350
35	948	962	991	1052	1092
45	232	236	235	243	254
55	90	90	88	88	90
65	57	57	56	55	54
75	37	37	35	33	33
85	24	23	23	23	23
90	23	23	23	23	23

Polar Candela Distribution



	0	25	45	70	90
0	10357	10357	10357	10357	10357
5	9641	9682	9694	9752	9800
15	6464	6526	6617	6762	6852
25	3016	3052	3135	3274	3350
35	948	962	991	1052	1092
45	232	236	235	243	254
55	90	90	88	88	90
65	57	57	56	55	54
75	37	37	35	33	33
85	24	23	23	23	23
90	23	23	23	23	23

Illuminance at Distance

	Center Beam fc	Beam Width
4 ft	647 fc	2.8 ft 2.8 ft
8 ft	162 fc	5.5 ft 5.7 ft
12 ft	72 fc	8.3 ft 8.5 ft
16 ft	45 fc	11.1 ft 11.4 ft
20 ft	26 fc	13.9 ft 14.2 ft
24 ft	18 fc	16.6 ft 17.1 ft

102 ft (31.1 m)
1 fc maximum distance
 Vert. Spread: 38.2°
 Horiz. Spread: 39.1°

Illuminance at Distance

	Center Beam fc	Beam Width
4 ft	731 fc	2.8 ft 2.9 ft
8 ft	183 fc	5.6 ft 5.7 ft
12 ft	81 fc	8.3 ft 8.6 ft
16 ft	46 fc	11.1 ft 11.4 ft
20 ft	29 fc	13.9 ft 14.3 ft
24 ft	20 fc	16.7 ft 17.1 ft

108 ft (33.0 m)
1 fc maximum distance
 Vert. Spread: 38.3°
 Horiz. Spread: 39.2°

Coefficients Of Utilization - Zonal Cavity Method

Effective Floor Cavity Reflectance: 20%

RCC %:	80	70	50	30	10	0
RW %:	70 50 30 0	70 50 30 0	50 30 20	50 30 20	50 30 20	0
RCR:	0 119 119 119 119	116 116 116 100	111 111 111	106 106 106	102 102 102	100
1	114 111 108 106	111 109 107 94	105 103 101	101 100 98	98 96 95	94
2	108 104 100 97	106 102 98 89	99 96 93	96 93 91	93 91 89	88
3	103 97 93 89	101 96 92 83	93 90 87	91 88 85	89 86 84	83
4	99 92 87 83	97 91 86 79	88 84 81	87 83 80	85 82 79	78
5	94 87 81 77	93 86 81 75	84 80 76	82 79 76	81 78 75	74
6	90 82 77 73	89 81 76 71	80 75 72	79 74 71	77 74 71	70
7	87 78 72 69	85 77 72 67	76 71 68	75 71 68	74 70 67	66
8	83 74 69 65	82 74 68 64	73 68 65	72 67 64	71 67 64	63
9	80 71 65 62	79 70 65 61	69 65 61	69 64 61	68 64 61	60
10	76 68 62 59	76 67 62 58	66 62 59	66 61 58	65 61 58	57

Coefficients Of Utilization - Zonal Cavity Method

Effective Floor Cavity Reflectance: 20%

RCC %:	80	70	50	30	10	0
RW %:	70 50 30 0	70 50 30 0	50 30 20	50 30 20	50 30 20	0
RCR:	0 119 119 119 119	116 116 116 100	111 111 111	106 106 106	102 102 102	100
1	114 111 108 106	111 109 107 94	105 103 101	101 100 98	98 96 95	94
2	108 104 100 97	106 102 98 89	99 96 93	96 93 91	93 91 89	88
3	103 97 93 89	101 96 92 83	93 90 87	91 88 85	89 86 84	83
4	99 92 87 83	97 91 86 79	88 84 81	87 83 80	85 82 79	78
5	94 87 81 77	93 86 81 75	84 80 76	82 79 76	81 78 75	74
6	90 82 77 73	89 81 76 71	80 75 72	79 74 71	77 74 71	70
7	86 78 72 69	85 77 72 67	76 71 68	75 71 68	74 70 67	66
8	83 74 69 65	82 74 68 64	73 68 65	72 67 64	71 67 64	63
9	80 71 65 62	79 70 65 61	69 65 61	69 64 61	68 64 61	60
10	76 68 62 59	76 67 62 58	66 62 59	66 61 58	65 61 58	57

Zonal Lumen

Zone	Lumens	% Fixture
0 - 60	5208.1	97.8 %
60 - 90	119.7	2.2 %
0 - 90	5327.8	100.0 %

Zonal Lumen

Zone	Lumens	% Fixture
0 - 60	5911.6	97.7 %
60 - 90	137.4	2.3 %
0 - 90	6048.9	100.0 %

For lux multiply fc by 10.7

For lux multiply fc by 10.7

Specifications

Due to continuous improvements and innovations, specifications may change without notice.

Item	Specification	2700 K*	4000 K*
Output	Lumens†	5238	6049
	Efficacy (lm / W)	43.6	49.1
	CRI	80	82
Electrical	Input Voltage	100 – 277 VAC, auto-switching, 50 / 60 Hz	
	Power Consumption	125 W	
	Power Factor	.967 @ 120 VAC (2700 K) .961 @ 120 VAC (4000 K)	
Control		On / Off, digital dimming by 4 connector cable & DE Pro	
Physical	Dimensions (Height x Width x Depth)	8.5 x 28.9 x 7.7 in (217 x 733 x 196 mm)	
	Weight	51 lb (23 kg)	
	Effective Projected Area (EPA)	0.186 m ²	
	Housing	Die-cast aluminium, powder-coated finish	
	Lens	Tempered glass	
	Fixture Connections	Integral male / female waterproof connector, 10 ft (3.0 m) power cable	
	Temperature Ranges	-40° – 122° F (-40° – 50° C) Operating -4° – 122° F (-20° – 50° C) Startup -40° – 176° F (-40° – 80° C) Storage	
Humidity	0 – 95%, non-condensing		
Certification and Safety	Certification	UL / cUL, FCC Class A, CE, PSE	
	Environment	Dry / Damp / Wet Location, IP66	

* Correlated color temperature (CCT) complies with ANSI C78.377-2008 for the chromaticity of solid state lighting products.

† Lumen measurement complies with IES LM-79-08 testing procedures.



Lumen Maintenance

Threshold*	Ambient Temperature	Reported†	Calculated†
L90	@ 25°C	42,400 hrs	42,400 hrs
	@ 50°C	42,400 hrs	42,400 hrs
L80	@ 25°C	>100,000 hrs	>100,000 hrs
	@ 50°C	>100,000 hrs	>100,000 hrs
L70	@ 25°C	>100,000 hrs	>100,000 hrs
	@ 50°C	>100,000 hrs	>100,000 hrs

* L_{xx} = xx% lumen maintenance (when light output drops below xx% of initial output). All values are given at B50, or the median value where 50% of the LED population is better than the reported or calculated lumen maintenance measurement.

† Lumen maintenance figures are based on lifetime prediction graphs supplied by LED source manufacturers. Whenever possible, figures use measurements that comply with IES LM-80-08 testing procedures.

In accordance with TM-21-11, Reported values represent the interpolated value based on six times the LM-80-08 total test duration (in hours). Calculated values represent time durations that exceed six times the total test duration.

Fixtures and Accessories

Item	Type	Item Number	Philips 12NC	
eW Reach Compact Powercore <i>Includes 10 ft (3.0 m) Leader Cable</i>	2700K	UL / cUL	523-000095-00	910503703281
		CE / PSE	523-000095-06	912400130228
	4000K	UL / cUL	523-000095-03	912400130225
		CE / PSE	523-000095-09	912400130231
3 Conductor Replacement Leader Cable:	10 ft (3.0 m)	UL / cUL	108-000056-03	910503704071
		CE / PSE	108-000056-04	910503704072
	50 ft (15.2 m)	UL / cUL	108-000056-00	910503703138
		CE / PSE	108-000056-01	910503704069
4 Conductor Replacement Leader Cable: (required to digitally dim unit, w/ DE Pro)	10 ft (3.0 m)	UL / cUL	108-000055-03	910503704066
		CE / PSE	108-000055-04	910503704067
	50 ft (15.2m)	UL / cUL	108-000055-00	910503703137
		CE / PSE	108-000055-01	910503704064
Data Enabler Pro (required to digitally dim unit)	3/4 in / 1/2 in NPT (US trade size conduit)	106-000004-00	910503701210	
	PG21 / PG13 (metric size conduit)	106-000004-01	910503701211	
Spread Lens with bezel	8°	120-000068-05	910503700511	
	13°	120-000068-00	910503700506	
	23°	120-000068-01	910503700507	
	40°	120-000068-02	910503700508	
	63°	120-000068-03	910503700509	
	Asymmetric (5° x 17°)	120-000068-04	910503700510	

Use Item Number when ordering in North America.



Philips Color Kinetics
 3 Burlington Woods Drive
 Burlington, Massachusetts 01803 USA
 Tel 888.385.5742
 Tel 617.423.9999
 Fax 617.423.9998
www.philipscolorkinetics.com
 @ColorKinetics

Copyright © 2012 – 2104 Philips Solid-State Lighting Solutions, Inc. All rights reserved.
 Chromacore, Chromasic, CK, the CK logo, Color Kinetics, the Color Kinetics logo, ColorBlast,
 ColorBlaze, ColorBurst, eW Fuse, ColorGraze, ColorPlay, ColorReach, iW Reach, eW Reach,
 DIMand, EssentialWhite, eW, iColor, iColor Cove, IntelliVWhite, iW, iPlayer, Optibin, and Powercore
 are either registered trademarks or trademarks of Philips Solid-State Lighting Solutions, Inc. in
 the United States and / or other countries. All other brand or product names are trademarks
 or registered trademarks of their respective owners. Due to continuous improvements and
 innovations, specifications may change without notice.

DAS-000140-05 R00 08-14