



Date: _____ Type: _____

Firm Name: _____

Project: _____

eW Reach Compact Powercore

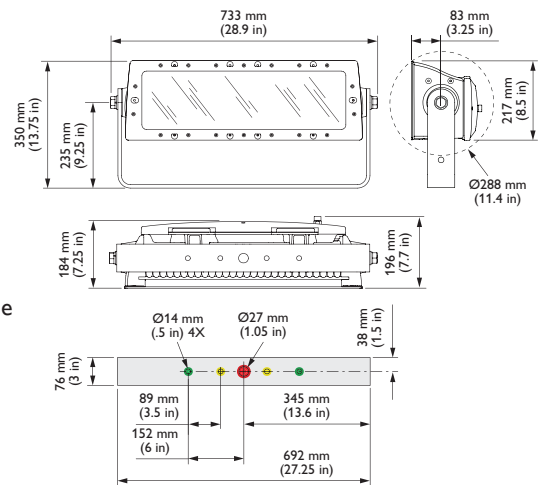
40° spread lens, CQC

Premium long-throw compact exterior LED floodlight with solid white light

eW Reach Compact Powercore combines all the benefits of LED-based lighting in a compact fixture specifically designed for large-scale installations calling for high-quality white light, including commercial skyscrapers, casinos, large retail exteriors, bridges, piers, public monuments, and themed attractions. With levels of light output and projection never before achieved in a compact LED lighting fixture, eW Reach Compact Powercore delivers intense, energy-efficient output at a reasonable price, opening up new possibilities for exterior illumination. Standard configurations include a warm 2700 K and a cool 4000 K, with six additional color temperatures available, ranging from 3000 K to 6500 K.

- Intense light output — eW Reach Compact Powercore outputs thousands of lumens and throws light hundreds of feet, delivering legitimate LED-based illumination of large-scale structures and objects in a compact, fully-sealed housing.
- Integrates Powercore technology — Fixtures rapidly, efficiently, and accurately process power directly from line voltage, eliminating the need for additional, external power supplies.
- Versatile optics — Exchangeable spread lenses of 8°, 13°, 23°, 40°, 63°, and an asymmetric 5° x 17° support a variety of photometric distributions for a multitude of applications, including spotlighting, wall grazing, and asymmetric wall washing. Bezel and gasket ship with spread lenses for easy user installation.

- Rich, uniform white light — High-performance LEDs offer rich, uniform white light at significantly less cost for installation, operation, and maintenance than traditional light sources.
- Simple fixture positioning — Rugged, slim-profile mounting bracket allows flexible positioning and fixture rotation through a full 360°. Side locking bolts reliably secure fixture with standard wrench.



- Universal power input range — Accepts a universal power input range of 100 – 240 VAC, allowing long fixture runs and consistent installation in any location around the world.

For detailed product information, please refer to the eW Reach Compact Powercore Product Guide at www.philipscolorkinetics.com/l/essentialwhite/ewreachcompact/

PHILIPS

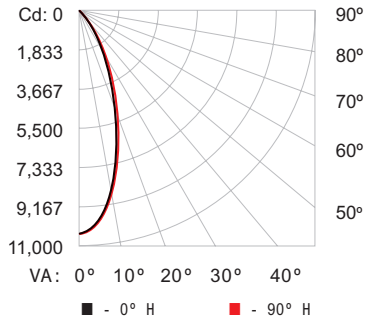
Photometrics / eW Reach Compact Powercore, 40° spread lens

2700 K

Lumens	5238
Efficacy	43.6 lm / W



Polar Candela Distribution



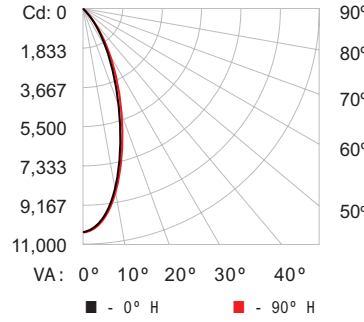
	0	25	45	70	90
0	10357	10357	10357	10357	10357
5	9641	9682	9694	9752	9800
15	6464	6526	6617	6762	6852
25	3016	3052	3135	3274	3350
35	948	962	991	1052	1092
45	232	236	235	243	254
55	90	90	88	88	90
65	57	57	56	55	54
75	37	37	35	33	33
85	24	23	23	23	23
90	23	23	23	23	23

4000 K

Lumens	6049
Efficacy	49.1 lm / W

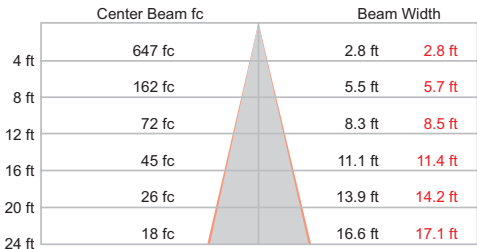


Polar Candela Distribution



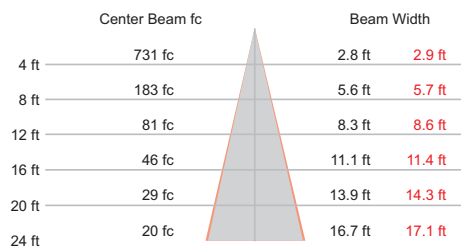
	0	25	45	70	90
0	10357	10357	10357	10357	10357
5	9641	9682	9694	9752	9800
15	6464	6526	6617	6762	6852
25	3016	3052	3135	3274	3350
35	948	962	991	1052	1092
45	232	236	235	243	254
55	90	90	88	88	90
65	57	57	56	55	54
75	37	37	35	33	33
85	24	23	23	23	23
90	23	23	23	23	23

Illuminance at Distance



102 ft (31.1 m)
1 fc maximum distance
Vert. Spread: 38.2°
Horiz. Spread: 39.1°

Illuminance at Distance



108 ft (33.0 m)
1 fc maximum distance
Vert. Spread: 38.3°
Horiz. Spread: 39.2°

Coefficients Of Utilization - Zonal Cavity Method

Effective Floor Cavity Reflectance: 20%

RCC %:	80				70				50				30				10				0
RW %:	70	50	30	0	70	50	30	0	50	30	20	0	50	30	20	0	50	30	20	0	0
RCR: 0	119	119	119	119	116	116	116	100	111	111	111	100	106	106	106	100	102	102	102	100	100
1	114	111	108	106	111	109	107	94	105	103	101	94	101	100	98	94	98	96	95	94	94
2	108	104	100	97	106	102	98	89	99	96	93	89	96	93	91	89	93	91	89	88	88
3	103	97	93	89	101	96	92	83	93	90	87	87	91	88	85	85	89	86	84	83	83
4	99	92	87	83	97	91	86	79	88	84	81	81	87	83	80	80	85	82	79	78	78
5	94	87	81	77	93	86	81	75	84	80	76	76	82	79	76	76	81	78	75	74	74
6	90	82	77	73	89	81	76	71	80	75	72	72	79	74	71	71	77	74	71	70	70
7	87	78	72	69	85	77	72	67	76	71	68	68	75	71	68	68	74	70	67	66	66
8	83	74	69	65	82	74	68	64	73	68	65	65	72	67	64	64	71	67	64	63	63
9	80	71	65	62	79	70	65	61	69	65	61	61	68	64	61	61	68	64	61	60	60
10	76	68	62	59	76	67	62	58	66	62	59	59	66	61	58	58	65	61	58	57	57

Coefficients Of Utilization - Zonal Cavity Method

Effective Floor Cavity Reflectance: 20%

RCC %:	80				70				50				30				10				0
RW %:	70	50	30	0	70	50	30	0	50	30	20	0	50	30	20	0	50	30	20	0	0
RCR: 0	119	119	119	119	116	116	116	100	111	111	111	100	106	106	106	100	102	102	102	100	100
1	114	111	108	106	111	109	107	94	105	103	101	94	101	100	98	94	98	96	95	94	94
2	108	104	100	97	106	102	98	89	99	96	93	89	96	93	91	89	93	91	89	88	88
3	103	97	93	89	101	96	92	83	93	90	87	87	91	88	85	85	89	86	84	83	83
4	99	92	87	83	97	91	86	79	88	84	81	81	87	83	80	80	85	82	79	78	78
5	94	87	81	77	93	86	81	75	84	80	76	76	82	79	76	76	81	78	75	74	74
6	90	82	77	73	89	81	76	71	80	75	72	72	79	74	71	71	77	74	71	70	70
7	87	78	72	69	85	77	72	67	76	71	68	68	75	71	68	68	74	70	67	66	66
8	83	74	69	65	82	74	68	64	73	68	65	65	72	67	64	64	71	67	64	63	63
9	80	71	65	62	79	70	65	61	69	65	61	61	68	64	61	61	68	64	61	60	60
10	76	68	62	59	76	67	62	58	66	62	59	59	66	61	58	58	65	61	58	57	57

Zonal Lumen

Zone	Lumens	% Fixture
0 - 60	5208.1	97.8 %
60 - 90	119.7	2.2 %
0 - 90	5327.8	100.0 %

For lux multiply fc by 10.7

Zonal Lumen

Zone	Lumens	% Fixture
0 - 60	5911.6	97.7 %
60 - 90	137.4	2.3 %
0 - 90	6048.9	100.0 %

For lux multiply fc by 10.7

Specifications

Due to continuous improvements and innovations, specifications may change without notice.

Item	Specification	2700 K*	4000 K*
Output	Lumens†	5238	6049
	Efficacy (lm / W)	43.6	49.1
	CRI	80	82
Electrical	Input Voltage	100 – 240 VAC, auto-switching, 50 / 60 Hz	
	Power Consumption	125 W	
	Power Factor	.967 @ 120 VAC (2700 K) .961 @ 120 VAC (4000 K)	
Control		On / Off, digital dimming by 4 connector cable & DE Pro	
Physical	Dimensions (Height x Width x Depth)	8.5 x 28.9 x 7.7 in (217 x 733 x 196 mm)	
	Weight	51 lb (23 kg)	
	Effective Projected Area (EPA)	0.186 m ²	
	Housing	Die-cast aluminium, powder-coated finish	
	Lens	Tempered glass	
	Fixture Connections	Integral male / female waterproof connector, 6 ft (1.8 m) power cable	
	Temperature Ranges	-40° – 122° F (-40° – 50° C) Operating -4° – 122° F (-20° – 50° C) Startup -40° – 176° F (-40° – 80° C) Storage	
Humidity	0 – 95%, non-condensing		
Certification and Safety	Certification	CQC, FCC Class A, CE, PSE	
	Environment	Dry / Damp / Wet Location, IP66	

* Correlated color temperature (CCT) complies with ANSI C78.377-2008 for the chromaticity of solid state lighting products.

† Lumen measurement complies with IES LM-79-08 testing procedures.



Lumen Maintenance

Threshold*	Ambient Temperature	Reported†	Calculated†
L90	@ 25°C	42,400 hrs	42,400 hrs
	@ 50°C	42,400 hrs	42,400 hrs
L80	@ 25°C	>100,000 hrs	>100,000 hrs
	@ 50°C	>100,000 hrs	>100,000 hrs
L70	@ 25°C	>100,000 hrs	>100,000 hrs
	@ 50°C	>100,000 hrs	>100,000 hrs

* L_{xx} = xx% lumen maintenance (when light output drops below xx% of initial output). All values are given at B50, or the median value where 50% of the LED population is better than the reported or calculated lumen maintenance measurement.

† Lumen maintenance figures are based on lifetime prediction graphs supplied by LED source manufacturers. Whenever possible, figures use measurements that comply with IES LM-80-08 testing procedures.

In accordance with TM-21-11, Reported values represent the interpolated value based on six times the LM-80-08 total test duration (in hours). Calculated values represent time durations that exceed six times the total test duration.

Fixtures and Accessories

Item	Type	Item Number	Philips 12NC
eW Reach Compact Powercore <i>Includes 6 ft (1.8 m) Leader Cable</i>	2700K CQC	523-000084-20	912400130287
	4000K CQC	523-000084-23	912400130290
3 Conductor Replacement Leader Cable: 6 ft (1.8 m)	CE	108-000046-01	910503700621
4 Conductor Replacement Leader Cable (required to digitally dim unit, w/ DE Pro): 6 ft (1.8 m)	CE	108-000043-03	910503700454
Data Enabler Pro (required to digitally dim unit)	PG21 / PG13 (metric size conduit)	106-000004-01	910503701211
Spread Lens with bezel	8°	120-000068-05	910503700511
	13°	120-000068-00	910503700506
	23°	120-000068-01	910503700507
	40°	120-000068-02	910503700508
	63°	120-000068-03	910503700509
	Asymmetric (5° x 17°)	120-000068-04	910503700510

Use Item Number when ordering in North America.



Philips Color Kinetics
 3 Burlington Woods Drive
 Burlington, Massachusetts 01803 USA
 Tel 888.385.5742
 Tel 617.423.9999
 Fax 617.423.9998
www.philipscolorkinetics.com
 @ColorKinetics

Copyright © 2012 – 2104 Philips Solid-State Lighting Solutions, Inc. All rights reserved.
 Chromacore, Chromasic, CK, the CK logo, Color Kinetics, the Color Kinetics logo, ColorBlast,
 ColorBlaze, ColorBurst, eW Fuse, ColorGraze, ColorPlay, ColorReach, iW Reach, eW Reach, DIMand,
 EssentialWhite, eW, iColor, iColor Cove, IntelliWhite, iW, iPlayer, Optibin, and Powercore are either
 registered trademarks or trademarks of Philips Solid-State Lighting Solutions, Inc. in the United States
 and / or other countries. All other brand or product names are trademarks or registered trademarks
 of their respective owners. Due to continuous improvements and innovations, specifications may
 change without notice.

DAS-000112-05 R02 08-14