



Date: _____ Type: _____

Firm Name: _____

Project: _____

eW Reach Compact Powercore

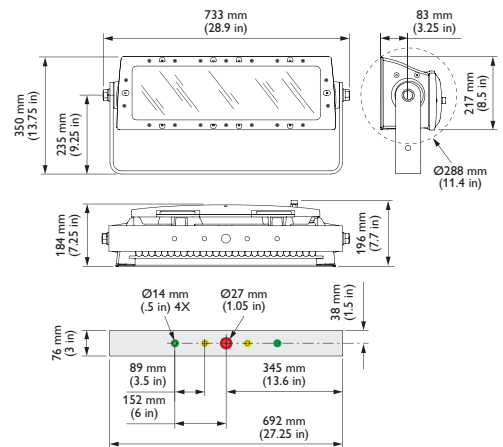
23° spread lens, CQC

Premium long-throw compact exterior LED floodlight with solid white light

eW Reach Compact Powercore combines all the benefits of LED-based lighting in a compact fixture specifically designed for large-scale installations calling for high-quality white light, including commercial skyscrapers, casinos, large retail exteriors, bridges, piers, public monuments, and themed attractions. With levels of light output and projection never before achieved in a compact LED lighting fixture, eW Reach Compact Powercore delivers intense, energy-efficient output at a reasonable price, opening up new possibilities for exterior illumination. Standard configurations include a warm 2700 K and a cool 4000 K, with six additional color temperatures available, ranging from 3000 K to 6500 K.

- Intense light output — eW Reach Compact Powercore outputs thousands of lumens and throws light hundreds of feet, delivering legitimate LED-based illumination of large-scale structures and objects in a compact, fully-sealed housing.
- Integrates Powercore technology — Fixtures rapidly, efficiently, and accurately process power directly from line voltage, eliminating the need for additional, external power supplies.
- Versatile optics — Exchangeable spread lenses of 8°, 13°, 23°, 40°, 63°, and an asymmetric 5° x 17° support a variety of photometric distributions for a multitude of applications, including spotlighting, wall grazing, and asymmetric wall washing. Bezel and gasket ship with spread lenses for easy user installation.

- Rich, uniform white light — High-performance LEDs offer rich, uniform white light at significantly less cost for installation, operation, and maintenance than traditional light sources.
- Simple fixture positioning — Rugged, slim-profile mounting bracket allows flexible positioning and fixture rotation through a full 360°. Side locking bolts reliably secure fixture with standard wrench.



- Universal power input range — Accepts a universal power input range of 100 – 240 VAC, allowing long fixture runs and consistent installation in any location around the world.

For detailed product information, please refer to the eW Reach Compact Powercore Product Guide at www.philipscolorkinetics.com/l/essentialwhite/ewreachcompact/

PHILIPS

Photometrics / eW Reach Compact Powercore, 23° spread lens

2700 K

Lumens	5313
Efficacy	43.4 lm / W

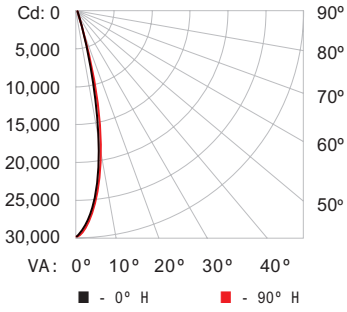


4000 K

Lumens	6091
Efficacy	49.5 lm / W

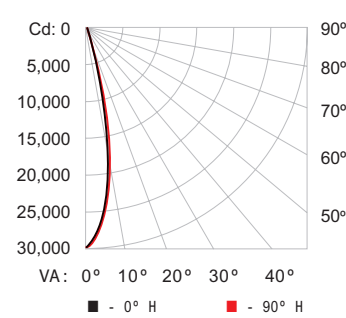


Polar Candela Distribution



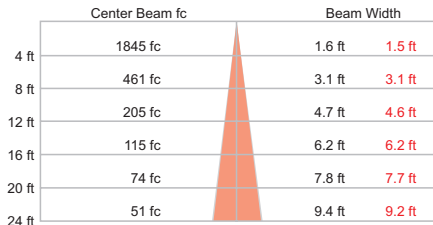
	0	25	45	70	90
0	113964	113964	113964	113964	113964
5	76317	73663	68871	62998	60119
15	2370	2012	1684	1431	1362
25	255	250	243	235	239
35	144	140	131	126	140
45	75	71	66	67	69
55	52	50	46	47	46
65	39	38	35	35	34
75	30	30	28	27	27
85	25	25	24	25	25
90	24	24	24	25	25

Polar Candela Distribution



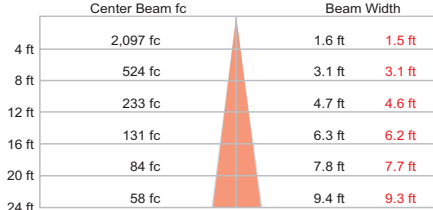
	0	25	45	70	90
0	33554	33554	33554	33554	33554
5	28765	28059	27479	27053	26947
15	9589	8888	8378	7979	7853
25	1319	1165	1049	960	924
35	207	192	180	173	171
45	106	101	97	95	96
55	72	69	66	64	64
65	53	51	49	47	46
75	39	38	36	34	33
85	30	29	29	28	28
90	28	28	28	28	28

Illuminance at Distance



172 ft (52.4 m) Vert. Spread: 22.1°
 1 fc maximum distance Horiz. Spread: 21.8°

Illuminance at Distance



183 ft (55.8 m) Vert. Spread: 22.1°
 1 fc maximum distance Horiz. Spread: 22.8°

Coefficients Of Utilization - Zonal Cavity Method

Effective Floor Cavity Reflectance: 20%

RCC %:	80	70	50	30	10	0
RW %:	70 50 30 0	70 50 30 0	50 30 20	50 30 20	50 30 20	0
RCR: 0	119 119 119 119	116 116 116 100	111 111 111	106 106 106	102 102 102	100
1	115 113 111 109	112 110 109 96	106 105 104	103 102 101	99 99 98	96
2	111 107 104 101	109 106 103 93	102 100 98	100 98 96	97 95 94	93
3	107 103 99 96	106 101 98 90	99 96 94	97 94 92	94 93 91	90
4	104 99 95 92	103 98 94 88	96 93 90	94 91 89	92 90 88	87
5	101 95 91 88	100 94 91 85	93 90 87	91 89 86	90 88 86	85
6	98 92 88 85	97 92 88 83	90 87 84	89 86 84	88 85 83	82
7	96 90 85 83	95 89 85 81	88 84 82	87 84 82	86 83 81	80
8	93 87 83 80	93 87 83 79	86 82 80	85 82 79	84 81 79	78
9	91 85 81 78	90 84 81 77	84 80 78	83 80 78	82 79 77	76
10	89 83 79 76	88 82 79 75	82 78 76	81 78 76	80 78 76	75

Coefficients Of Utilization - Zonal Cavity Method

Effective Floor Cavity Reflectance: 20%

RCC %:	80	70	50	30	10	0
RW %:	70 50 30 0	70 50 30 0	50 30 20	50 30 20	50 30 20	0
RCR: 0	119 119 119 119	116 116 116 100	111 111 111	106 106 106	102 102 102	100
1	115 112 110 109	112 110 109 96	106 105 104	103 102 101	99 98 98	96
2	111 107 104 101	109 105 103 93	102 100 98	100 98 96	97 95 94	93
3	107 103 99 96	106 101 98 90	99 96 94	97 94 92	94 93 91	90
4	104 99 95 92	103 98 94 88	96 93 90	94 91 89	92 90 88	87
5	101 95 91 88	100 94 91 85	93 89 87	91 88 86	90 87 86	84
6	98 92 88 85	97 91 88 83	90 87 84	89 86 84	88 85 83	82
7	96 89 85 82	95 89 85 81	88 84 82	87 84 81	86 83 81	80
8	93 87 83 80	92 86 83 79	85 82 80	84 81 79	83 80 78	78
9	91 85 81 78	90 84 80 77	83 80 78	82 79 77	81 78 76	76
10	89 82 79 76	88 82 78 75	81 78 76	80 78 76	79 77 75	74

Zonal Lumen

Zone	Lumens	% Fixture
0 - 60	5210.4	98.1 %
60 - 90	103.0	1.9 %
0 - 90	5313.5	100.0 %

For lux multiply fc by 10.7

Zonal Lumen

Zone	Lumens	% Fixture
0 - 60	5970.7	98.0 %
60 - 90	120.3	2.0 %
0 - 90	6091.0	100.0 %

For lux multiply fc by 10.7

Specifications

Due to continuous improvements and innovations, specifications may change without notice.

Item	Specification	2700 K*	4000 K*
Output	Lumens†	5313	6091
	Efficacy (lm / W)	43.4	49.5
	CRI	80	82
Electrical	Input Voltage	100 – 240 VAC, auto-switching, 50 / 60 Hz	
	Power Consumption	125 W	
	Power Factor	.967 @ 120 VAC (2700 K) .961 @ 120 VAC (4000 K)	
Control		On / Off, digital dimming by 4 connector cable & DE Pro	
Physical	Dimensions (Height x Width x Depth)	8.5 x 28.9 x 7.7 in (217 x 733 x 196 mm)	
	Weight	51 lb (23 kg)	
	Effective Projected Area (EPA)	0.186 m ²	
	Housing	Die-cast aluminium, powder-coated finish	
	Lens	Tempered glass	
	Fixture Connections	Integral male / female waterproof connector, 6 ft (1.8 m) power cable	
	Temperature Ranges	-40° – 122° F (-40° – 50° C) Operating -4° – 122° F (-20° – 50° C) Startup -40° – 176° F (-40° – 80° C) Storage	
Humidity	0 – 95%, non-condensing		
Certification and Safety	Certification	CQC, FCC Class A, CE, PSE	
	Environment	Dry / Damp / Wet Location, IP66	

* Correlated color temperature (CCT) complies with ANSI C78.377-2008 for the chromaticity of solid state lighting products.

† Lumen measurement complies with IES LM-79-08 testing procedures.



Lumen Maintenance

Threshold*	Ambient Temperature	Reported†	Calculated†
L90	@ 25°C	42,400 hrs	42,400 hrs
	@ 50°C	42,400 hrs	42,400 hrs
L80	@ 25°C	>100,000 hrs	>100,000 hrs
	@ 50°C	>100,000 hrs	>100,000 hrs
L70	@ 25°C	>100,000 hrs	>100,000 hrs
	@ 50°C	>100,000 hrs	>100,000 hrs

* L_{xx} = xx% lumen maintenance (when light output drops below xx% of initial output). All values are given at B50, or the median value where 50% of the LED population is better than the reported or calculated lumen maintenance measurement.

† Lumen maintenance figures are based on lifetime prediction graphs supplied by LED source manufacturers. Whenever possible, figures use measurements that comply with IES LM-80-08 testing procedures.

In accordance with TM-21-11, Reported values represent the interpolated value based on six times the LM-80-08 total test duration (in hours). Calculated values represent time durations that exceed six times the total test duration.

Fixtures and Accessories

Item	Type	Item Number	Philips 12NC
eW Reach Compact Powercore Includes 6 ft (1.8 m) Leader Cable	2700K CQC	523-000084-20	912400130287
	4000K CQC	523-000084-23	912400130290
3 Conductor Replacement Leader Cable: 6 ft (1.8 m)	CE	108-000046-01	910503700621
4 Conductor Replacement Leader Cable (required to digitally dim unit, w/ DE Pro): 6 ft (1.8 m)	CE	108-000043-03	910503700454
Data Enabler Pro (required to digitally dim unit)	PG21 / PG13 (metric size conduit)	106-000004-01	910503701211
Spread Lens with bezel	8°	120-000068-05	910503700511
	13°	120-000068-00	910503700506
	23°	120-000068-01	910503700507
	40°	120-000068-02	910503700508
	63°	120-000068-03	910503700509
	Asymmetric (5° x 17°)	120-000068-04	910503700510

Use Item Number when ordering in North America.



Philips Color Kinetics
3 Burlington Woods Drive
Burlington, Massachusetts 01803 USA
Tel 888.385.5742
Tel 617.423.9999
Fax 617.423.9998
www.philipscolorkinetics.com

Copyright © 2012 – 2104 Philips Solid-State Lighting Solutions, Inc. All rights reserved.
Chromacore, Chromasic, CK, the CK logo, Color Kinetics, the Color Kinetics logo, ColorBlast, ColorBlaze, ColorBurst, eW Fuse, ColorGraze, ColorPlay, ColorReach, iW Reach, eW Reach, DIMand, EssentialWhite, eW, iColor, iColor Cove, IntelliWhite, iW, iPlayer, Optibin, and Powercore are either registered trademarks or trademarks of Philips Solid-State Lighting Solutions, Inc. in the United States and / or other countries. All other brand or product names are trademarks or registered trademarks of their respective owners. Due to continuous improvements and innovations, specifications may change without notice.

DAS-000112-04 R02 08-14