



Date: _____ Type: _____

Firm Name: _____

Project: _____

eW Fuse Powercore

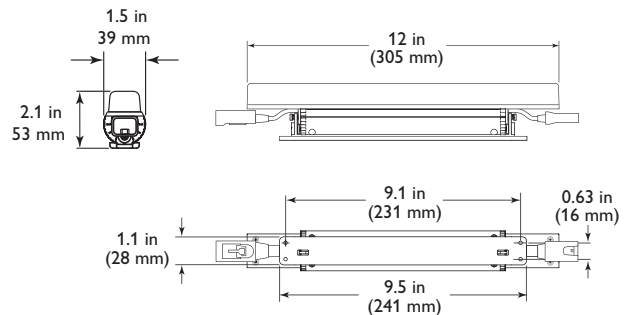
1 ft (305 mm), 12.5 W / ft, 3000 K, 30° x 60° beam angle

Linear interior LED wall grazing fixture with solid white light

With narrow and medium beams of intense white light, eW Fuse Powercore is an excellent choice for a full range of surface grazing and wall-washing applications. Its ultra-compact form factor permits installation in tight spaces too small to accommodate conventional grazing fixtures. Meets or exceeds the performance of comparable linear fluorescent fixtures while lowering installation, energy, and maintenance costs. Offers environmentally-conscious buyers a green, energy-efficient grazing fixture with industry-leading light quality and quantity.

- Lower cost than comparable fluorescent grazing fixtures — With long useful source life and low-maintenance operation, eW Fuse Powercore represents a cost-effective alternative to traditional grazing fixtures.
- High-performance illumination and beam quality — eW Fuse Powercore is available in 1 ft (305 mm) and 4 ft (1.2 m) die-cast aluminum housings with a 10° x 60° or 30° x 60° beam angle. Interlocking connectors accommodate end-to-end placement without visible light scalloping between fixtures.
- Multiple color temperatures — Available in 2700 K, 3000 K, 3500 K, and 4000 K color temperatures for applications calling for warm, neutral, or cool white light
- Integrates patented Powercore technology — Powercore rapidly, efficiently, and accurately controls power directly from line voltage, eliminating the need for an external power supply. Contractor-friendly installation dramatically simplifies installation and lowers total system cost.

- Support for multiple voltages — Accepts power input of 100 – 277 VAC for consistent installation and operation from line voltage in a variety of locations.
- Dimming capability — Patented DIMand technology offers smooth dimming capability with selected commercially available reverse-phase ELV-type dimmers.
- Simple installation — Powercore integrated power management technology simplifies installation and allows long product runs. Easy-to-install 4 ft (1.2 m) mounting tracks allow quick project setup in linear applications.
- Easy mounting and positioning — With end-to-end locking power connectors that can make



180° turns, eW Fuse Powercore fixtures are easy to position in even the most challenging mounting circumstances. Fixtures rotate in 10° increments through 180° for precise aiming and color mixing. Optional mounting tracks support vertical and overhead positioning. 1 ft (305 mm) and 5 ft (1.5 m) jumper cables can add extra space between fixtures.

For detailed product information, please refer to the eW Fuse Powercore Product Guide at www.philipscolorkinetics.com/ls/essentialwhite/ewfusepc/

PHILIPS

Specifications

Due to continuous improvements and innovations, specifications may change without notice.

Item	Specification	Details
Output	Lumens†	587
	Efficacy (lm / W)	47.7
	CRI	82
	Lumen Maintenance‡	50,000 hours L70 @ 25° C 37,000 hours L70 @ 50° C 90,000 hours L50 @ 25° C 80,000 hours L50 @ 50° C
Electrical	Input Voltage	100 – 277 VAC, auto-switching, 50 / 60 Hz
	Power Consumption	12.5 W maximum at full output, steady state
	Power Factor	.99 @ 120 V
Control	Dimming	Compatible with selected commercially available reverse-phase ELV-type dimmers§
Physical	Dimensions (Height x Width x Depth)	2.1 x 12 x 1.5 in (53 x 305 x 39 mm)
	Weight	0.98 lbs (.45 kg)
	Housing	Die-cast aluminium, white powder-coated finish
	Lens	Polycarbonate
	Fixture Connections	Integral male / female connectors
	Temperature Ranges	-40° – 122° F (-40° – 50° C) Operating -4° – 122° F (-20° – 50° C) Startup -40° – 176° F (-40° – 80° C) Storage
Certification and Safety	Certification	UL / cUL, FCC, Class B, CE, C-Tick, CCC
	Environment	Dry / Damp Location, IP20
	Humidity	0 – 95%, non-condensing
	Fixture Run Lengths	To calculate fixture run lengths and total power consumption for your specific installation, download the Configuration Calculator from www.philipscolorkinetics.com/support/install_tool/

* Color temperatures conform to nominal CCTs as defined in ANSI Chromaticity Standard C78.377A.



† Lumen measurement complies with IES LM-79-08 testing procedures.

‡ L70 = 70% lumen maintenance (when light output drops below 70% of initial output). L50 = 50% lumen maintenance (when light output drops below 50% of initial output). Ambient luminaire temperatures specified. Lumen maintenance calculations are based on lifetime prediction graphs supplied by LED source manufacturers. Calculations for white-light LED fixtures are based on measurements that comply with IES LM-80-08 testing procedures. Refer to www.philipscolorkinetics.com/support/appnotes/lm-80-08.pdf for more information.

§ Refer to www.philipscolorkinetics.com/support/appnotes/ for specific details.

Accessories

Item	Type	Item Number	Philips 12NC
Leader Cable with terminator and strain relief	UL / cUL	10 ft (3 m)	108-000047-00 910503700972
	CE / CCC	10 ft (3 m)	108-000047-01 910503700973
Wiring Compartment with terminator	UL / cUL	120-000077-01	910503700994
Jumper Cable	UL / cUL	1 ft (305 mm)	108-000048-00 910503700974
		5 ft (1.5 m)	108-000048-01 910503700975
	CE / CCC	1 ft (305 mm)	108-000048-02 910503700976
		5 ft (1.5 m)	108-000048-03 910503700977
Terminators	10 / box	120-000099-00	910503701120
Mounting Track, White	Quantity 1	4 ft (1219 mm)	120-000124-00 910503701787

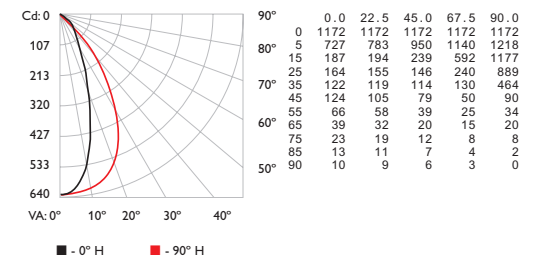


Philips Color Kinetics
3 Burlington Woods Drive
Burlington, Massachusetts 01803 USA
Tel 888.385.5742
Tel 617.423.9999
Fax 617.423.9998
www.philipscolorkinetics.com

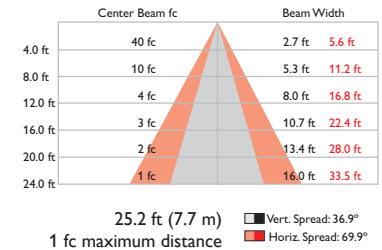
Photometrics

1 ft (305 mm), 12.5 W / ft, 3000 K, 30° x 60° beam angle

Polar Candela Distribution



Illuminance at Distance



Lumens	587
Efficacy	47.7 lm / W

For lux multiply fc by 10.7

O P T I B I N[®] | P O W E R C O R E[®] | D I M A N D[®]
CK TECHNOLOGY | CK TECHNOLOGY | CK TECHNOLOGY

Fixtures

Type	Beam Angle	Item Number	Philips 12NC
1 ft (305 mm) 2700 K	10° x 60°	523-000065-08	910503701717
	30° x 60°	523-000065-12	910503701721
1 ft (305 mm) 3000 K	10° x 60°	523-000065-09	910503701718
	30° x 60°	523-000065-13	910503701722
1 ft (305 mm) 3500 K	10° x 60°	523-000065-10	910503701719
	30° x 60°	523-000065-14	910503701723
1 ft (305 mm) 4000 K	10° x 60°	523-000065-11	910503701720
	30° x 60°	523-000065-15	910503701724
4 ft (1.2 m) 2700 K	10° x 60°	523-000065-16	910503702617
	30° x 60°	523-000065-20	910503702621
4 ft (1.2 m) 3000 K	10° x 60°	523-000065-17	910503702618
	30° x 60°	523-000065-21	910503702622
4 ft (1.2 m) 3500 K	10° x 60°	523-000065-18	910503702619
	30° x 60°	523-000065-22	910503702623
4 ft (1.2 m) 4000 K	10° x 60°	523-000065-19	910503702620
	30° x 60°	523-000065-23	910503702624

Use Item Number when ordering in North America.

Copyright © 2011 – 2013 Philips Solid-State Lighting Solutions, Inc. All rights reserved. Chromacore, Chromatic, CK, the CK logo, Color Kinetics, the Color Kinetics logo, ColorBlast, ColorBlaze, ColorBurst, ColorGraze, ColorPlay, ColorReach, iW Reach, eW Reach, eW Fuse, DIMand, EssentialWhite, eW, iColor, iColor Cove, IntelliWWhite, iW, iPlayer, Optibin, and Powercore are either registered trademarks or trademarks of Philips Solid-State Lighting Solutions, Inc. in the United States and / or other countries. All other brand or product names are trademarks or registered trademarks of their respective owners. Due to continuous improvements and innovations, specifications may change without notice. DAS-000079-04 R05 08-13