



Date: _____ Type: _____

Firm Name: _____

Project: _____

eW Flex Micro

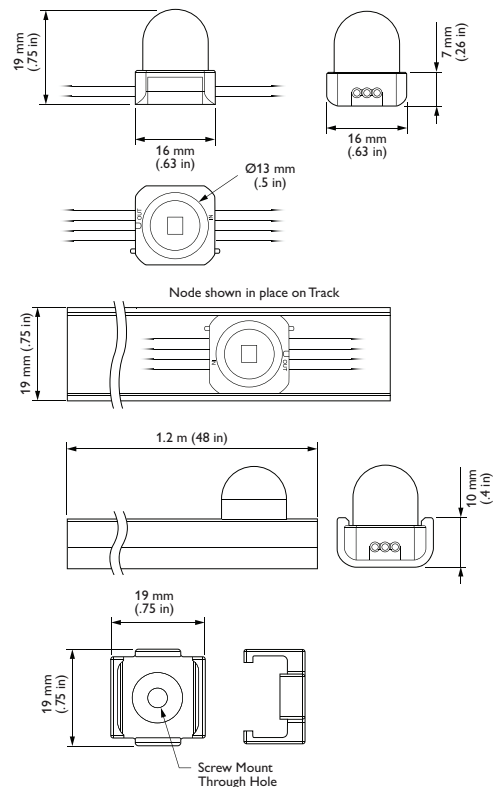
Flexible strands of small, high-intensity LED nodes with solid white light

eW Flex Micro is a versatile strand of 50 small, individually controllable LED nodes. The flexible form factor allows dynamic points of white light to be installed across nearly any interior or exterior surface, including walls, ceilings, floors, three-dimensional sculptures, and set pieces. eW Flex Micro can also light tight alcove spaces and signage, and in certain cases, can even display video.

- Daylight visible — At full brightness, each node produces light output of up to 10.5 candela and 7529 nits per node.
- Adaptable mounting — Strands can be mounted directly to a surface, like traditional string lights. Detachable leader cables in multiple lengths allow you to install strings at the appropriate distance from power / data supplies. Optional mounting tracks ensure straight linear runs, while snap-on spacers hide cabling and mounting hardware. Single node mounts can be positioned individually as anchor points for installations with uneven node spacing or complex geometries.
- Outdoor rated — Fully sealed for maximum fixture life and IP66-rated for outdoor applications.
- Supports cost-effective video displays — Flexible form factor, offering maximum lighting control at 25 W per strand, accommodates unique lighting installations, including two- and three-dimensional video displays. White nodes enable classic black and white video or reverse (shadow) video.
- Multiple lens options — Clear dome and translucent dome lenses are standard. Clear flat and translucent flat lenses are also available.
- Standard and custom lengths and node spacing — eW Flex Micro strands are available with standard on-center node spacing of 102 mm (4 in) or 305 mm (12 in) along a three-wire, 18 AWG cable. For information about custom orders, see the eW Flex Micro Ordering Sheet at www.philipscolorkinetics.com/lis/ew/flexmicro/

- Custom Leader Cables — Custom Leader Cable lengths are available in addition to standard cables of 7.6 m (25 ft), 15.2 m (50 ft), and 30.5 m (100 ft).
- Industry-leading controls — eW Flex Micro works seamlessly with the complete Philips line of controllers, including Video System Manager Pro, Light System Manager, and iPlayer 3, as well as third-party DMX controllers.

For detailed product information, please refer to the eW Flex Micro Product Guide at www.philipscolorkinetics.com/lis/ew/flexmicro/



PHILIPS

Specifications Due to continuous improvements and innovations, specifications may change without notice.

Item	Specification	Clear Dome Lens	Translucent Dome Lens	
Output	Lumens Per Node*	2700 K	25.7	17.5
		4000 K	27.8	18.2
	Candela Per Node	2700 K	10.1	3.5
		4000 K	10.5	3.7
	Luminance Per Node	2700 K	6962 cd / m ²	2571 cd / m ²
		4000 K	7529 cd / m ²	2684 cd / m ²
	CRI	2700 K	84	86
		4000 K	86	89
Viewing Angle		105°	165°	
LED Channels		White		
Electrical	Input Voltage	24 VDC via sPDS-480ca, sPDS-480ca, and PDS-60ca		
	Power Consumption	.5 W max. per node at full output, steady state		
Control	Interface	PDS-60ca 24V (Pre-programmed or DMX / Ethernet), sPDS-60ca 24V (Pre-programmed or DMX / Ethernet), sPDS-480ca 24V (Ethernet)		
	Control System	Philips full range of controllers, including Video System Manager Pro, Light System Manager, and iPlayer 3, or third-party controllers		
Physical	Node Dimensions <i>Height x Width x Depth</i>	19 mm x 16 mm x 16 mm (.75 in x .63 in x .63 in)	19 mm x 16 mm x 16 mm (.75 in x .63 in x .63 in)	
	Weight	381 g (13.4 oz) 50-node strand, 4 in on-center node spacing, dome lens		
	Housing	White or black polycarbonate		
	Lens	Clear or translucent plastic		
	Fixture Connections	Integrated watertight 3-pin connector		
	Temperature Ranges	-30° – 50° C (-22° – 122° F) Operating ≥ 0° C (≥ 32° F) Handling -20° – 50° C (-4° – 122° F) Startup -30° – 80° C (-22° – 176° F) Storage		
	Humidity	0 – 95%, non-condensing		
Maximum Fixtures Per Power / Data Supply	sPDS-480ca 24V: 8 strands sPDS-60ca 24V: 2 strands PDS-60ca 24V: 2 strands			
Certification and Safety	Certification	UL / cUL, FCC Class A, CE		
	Environment	Dry / Damp / Wet Location, IP66		

Lumen Maintenance

Threshold*	Ambient Temperature	Reported†	Calculated†
L90	@ 25°C	38,000 hrs	38,000 hrs
	@ 50°C	27,000 hrs	27,000 hrs
L80	@ 25°C	60,000 hrs	90,000 hrs
	@ 50°C	60,000 hrs	61,000 hrs
L70	@ 25°C	60,000 hrs	>150,000 hrs
	@ 50°C	60,000 hrs	>100,000 hrs

* Lxx= xx% lumen maintenance (when light output drops below xx% of initial output). All values are given at B50, or the median value where 50% of the LED population is better than the reported or calculated lumen maintenance measurement.

† Lumen maintenance figures are based on lifetime prediction graphs supplied by LED source manufacturers. Whenever possible, figures use measurements that comply with IES LM-80-08 testing procedures.

In accordance with TM-21-11, Reported values represent the interpolated value based on six times the LM-80-80 total test duration (in hours). Calculated values represent time durations that exceed six times the total test duration.

Copyright © 2015 Philips Solid-State Lighting Solutions, Inc. All rights reserved. Chromacore, Chromasic, CK, the CK logo, Color Kinetics, the Color Kinetics logo, ColorBlast, ColorBlaze, ColorBurst, ColorGraze, ColorPlay, ColorReach, iW Reach, eW Reach, DiMand, EssentialWhite, eW, iColor, iColor Cove, IntelliWhite, iW, iPlayer, Optibin, and Powercore are either registered trademarks or trademarks of Philips Solid-State Lighting Solutions, Inc. in the United States and / or other countries. All other brand or product names are trademarks or registered trademarks of their respective owners. Due to continuous improvements and innovations, specifications may change without notice.



Philips Color Kinetics
3 Burlington Woods Drive
Burlington, Massachusetts 01803 USA
Tel 888.385.5742
Tel 617.423.9999
Fax 617.423.9998
www.philipscolorkinetics.com