



Date: _____ Type: _____

Firm Name: _____

Project: _____

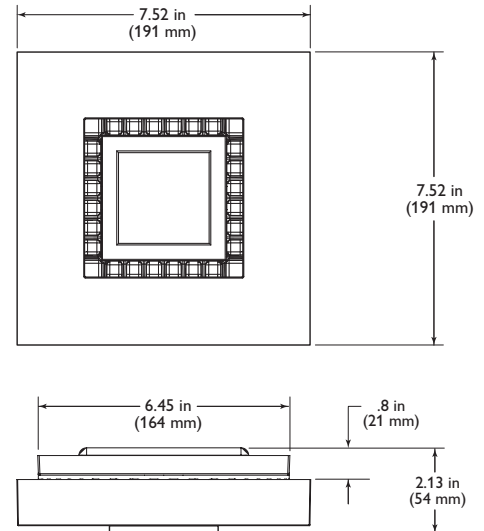
eW Downlight Powercore gen2

4000 K

Surface-mounted LED downlight for general and accent lighting

eW Downlight Powercore gen2 is a low-profile, surface-mounted LED downlight for basic white general illumination. Easy-to-install, dimmable fixtures use standard mounting and direct line voltage connection without the need for remote transformers. Ideally suited for interiors in commercial, hospitality, retail, and residential environments, and are especially appropriate where recessed installation is not possible.

- Superior light output and quality — Outputs up to 902 lumens and delivers up to 31 fc (331 lx) at a distance of 10 ft (3 m), easily meeting recommended illuminance targets for the full range of downlighting applications. Offers a high CRI of over 81 across all color temperatures and beam angles.
- Four available color temperatures — 2700 K and 3000 K versions are appropriate for intimate, open environments such as restaurants, hotel lobbies, and homes, while the 3500 K and 4000 K versions are perfect for lighting clean and efficient spaces such as offices, classrooms, and hospitals.
- Two available beam angles — Available with a 30° beam angle for high ceilings or spotlighting an area or object, and a 65° beam angle for floodlighting and low-ceiling environments such as corridors.
- ENERGY STAR qualified — As an ENERGY STAR qualified LED luminaire, eW Downlight Powercore gen2 uses 80% less energy and can last over 40 times longer than incandescent lighting.
- Integrates patented Powercore technology — Powercore technology rapidly, efficiently, and accurately controls power output to fixtures directly from line voltage, eliminating the need for transformers or other external power supplies.
- Simple, standard installation — Contractor-friendly installation uses standard wiring and mounting to dramatically simplify installation and help lower total system cost.



- Flexible mounting options — Mounts to junction box or directly to a flat mounting surface where allowed. Slotted through-holes in the mounting plate provide adjustment in surface mount applications. Swivel bracket for 120 and 277 VAC units allows precise adjustment during installation.
- Four available voltages — Power modules of 100, 120, 220 – 240, and 277 VAC for consistent installation and operation around the world.
- Unobtrusive, sleek design — Ideal for surface mounting and semi-recessed applications. Metal bezel is available in white, black, or brushed aluminum. Custom bezel colors are also available.
- Dimming capability — Patented DIMand technology offers smooth dimming capability with selected commercially available reverse-phase ELV-type dimmers.

For detailed product information, please refer to the eW Downlight Powercore gen2 Product Guide at www.philipscolorkinetics.com/ls/essentialwhite/ewdownlight/



PHILIPS

Specifications

Due to continuous improvements and innovations, specifications may change without notice.

Item	Specification	4000 K*
	Lumens†	865 (30°) / 902 (65°)
	Efficacy (lm / W)	63.1 (30°) / 64.9 (65°)
	CRI	82 (30°) / 82 (65°)
	Lumen Maintenance‡	60,000 hours L70 @ 25° C
Electrical	Input Voltage	100 / 120 / 220 – 240 / 277 VAC, 50 / 60 Hz
	Power Consumption	15 W maximum at full output, steady state
	Power Factor	0.98 @ 120 VAC
Control	Dimming	Compatible with selected commercially available reverse-phase ELV-type dimmers§
Physical	Dimensions (Height x Width x Depth)	7.5 x 7.5 x 2.1 in (191 x 191 x 54 mm)
	Weight	3.1 lb (1.4 kg)
	Housing	Die-cast aluminium chassis and bezel with black, white, or brushed aluminum finish
	Lens	Clear polycarbonate
	Fixture Connections	6 in (152 mm) flying leads (100 / 120 / 277 VAC) Terminal block (220 – 240 VAC)
	Temperature Ranges	-4° – 122° F (-20° – 50° C) Operating -4° – 122° F (-20° – 50° C) Startup -40° – 176° F (-40° – 80° C) Storage
Certification and Safety	Humidity	0 – 95%, non-condensing
	Certification	UL / cUL, FCC Class B, CE, CCC, C-Tick, SAA
	Environment	Dry Location, IP50
	Energy Efficiency	ENERGY STAR (30° only), California Title 24 Compliant

* Color temperatures conform to nominal CCTs as defined in ANSI Chromaticity Standard C78.377A.



† Lumen measurement complies with IES LM-79-08 testing procedures.

‡ L70 = 70% lumen maintenance (when light output drops below 70% of initial output). Ambient luminaire temperatures specified. Lumen maintenance calculations are based on lifetime prediction graphs supplied by LED source manufacturers. Calculations for white-light LED fixtures are based on measurements that comply with IES LM-80-08 testing procedures. Refer to www.philipscolorkinetics.com/support/appnotes/lm-80-08.pdf for more information.

§ Refer to www.philipscolorkinetics.com/support/appnotes/ for specific details.

Fixtures and Accessories

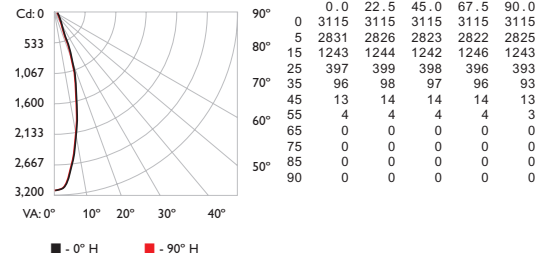
Item	Type		Item Number	Philips 12NC
Power Modules	100 VAC		523-000010-02	910503700235
	120 VAC		523-000010-00	910503700233
	220 – 240 VAC		523-000010-03	910503700236
	277 VAC		523-000010-01	910503700234
Lamp Module	4000 K	30° ENERGY STAR	523-000009-17	910503702747
		65°	523-000009-13	910503702743
Bezel Modules	White		523-000011-00	910503700237
	Black		523-000011-01	910503700238
	Brushed Aluminum		523-000011-02	910503700239
Complete Fixture Kits 220 – 240 VAC only	4000 K	30°	523-000031-15	910503702751
	White	65°	523-000031-19	910503702755
	4000 K	30°	523-000031-23	910503702759
		Black	65°	523-000031-27
	4000 K	30°	523-000031-31	910503702767
		Brushed Aluminum	65°	523-000031-35

Use Item Number when ordering in North America.

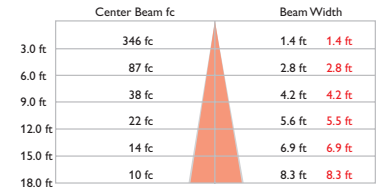
Photometrics

4000 K, 30° beam angle

Polar Candela Distribution



Illuminance at Distance



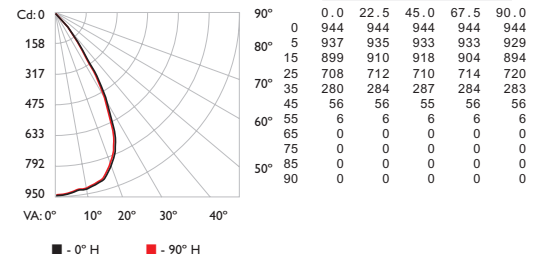
55.7 ft (17.0 m) 1 fc maximum distance
 Vert. Spread: 26.1°
 Horiz. Spread: 26.0°

Lumens	865
Efficacy	63.1 lm / W

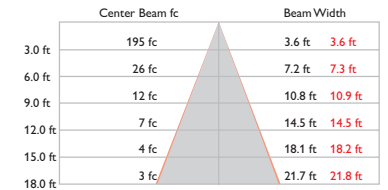
For lux multiply fc by 10.7

4000 K, 65° beam angle

Polar Candela Distribution



Illuminance at Distance



30.7 ft (9.4 m) 1 fc maximum distance
 Vert. Spread: 62.1°
 Horiz. Spread: 62.4°

Lumens	902
Efficacy	64.9 lm / W

Copyright © 2009 – 2015 Philips Solid-State Lighting Solutions, Inc. All rights reserved.

Chromacore, Chromasic, CK, the CK logo, Color Kinetics, the Color Kinetics logo, ColorBlast, ColorBlaze, ColorBurst, ColorGraze, ColorPlay, ColorReach, iW Reach, eW Reach, DIMand, EssentialWhite, eW, iColor, iColor Cove, IntelliWhite, iW, iPlayer, Optibin, and Powercore are either registered trademarks or trademarks of Philips Solid-State Lighting Solutions, Inc. in the United States and / or other countries. All other brand or product names are trademarks or registered trademarks of their respective owners. Due to continuous improvements and innovations, specifications may change without notice.

DAS-000011-02 R09 04-15



Philips Color Kinetics
3 Burlington Woods Drive
Burlington, Massachusetts 01803 USA
Tel 888.385.5742
Tel 617.423.9999
Fax 617.423.9998
www.philipscolorkinetics.com