



Date: _____ Type: _____

Firm Name: _____

Project: _____

eW Burst Powercore

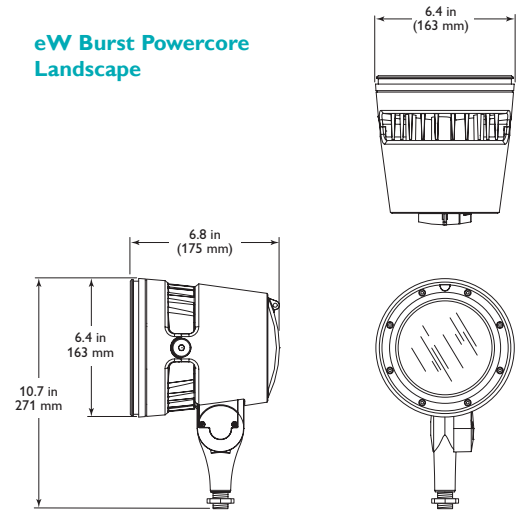
41° spread lens

Architectural and landscape LED spotlight with solid white light

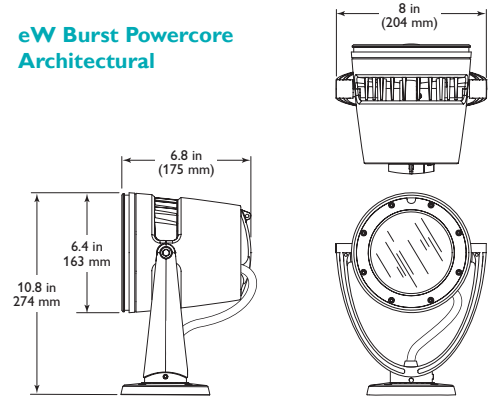
eW Burst Powercore is a high-output, exterior LED spotlight designed for accent and site lighting. Architectural and Landscape versions deliver high-quality white light in a warm 2700 K and a neutral 4000 K to support a range of uplighting, floodlighting, and decorative lighting applications.

- Integrates patented Powercore technology — Powercore rapidly, efficiently, and accurately controls power output to fixtures directly from line voltage, eliminating the need for an external power supply. Contractor-friendly installation dramatically simplifies installation and lowers total system cost.
- Flexible mounting in architectural applications — Architectural fixtures feature an integrated yoke with canopy base for mounting to standard US junction boxes or directly to a flat surface or substrate as local codes permit.
- Support for a wide range of landscape applications — Landscape fixtures feature a 1/2 in NPT threaded post for mounting to standard junction boxes and third-party mounting accessories such as stanchion mounts, posts, and stakes for use in softscape and hardscape applications.
- Exchangeable optics and accessories — Available 14°, 23°, 41°, and asymmetric 10° x 41° spread lenses project a soft-edge beam to support a wide range of lighting applications. Native 8° beam angle offers extended light projection. Available glare shields block spill light, while honeycomb louvers limit the spread of light for a more focused and intense beam.
- Versatile light positioning — Fixtures can tilt through a full 180°. Architectural fixtures can also rotate through a full 360° for precise aiming. Locking screws accept standard hex wrenches to secure fixtures firmly in position.
- Universal power input range — Accepts a power input range of 100 to 277 VAC.
- Dimming capability — Patented DIMand technology offers smooth dimming capability with selected commercially available reverse-phase ELV-type dimmers.

eW Burst Powercore Landscape



eW Burst Powercore Architectural



- Outdoor rated — With a rugged, die-cast aluminum housing fully sealed for maximum fixture life and IP66-rated for outdoor applications, eW Burst Powercore is ideal for use in damp or wet locations.

For detailed product information, please refer to the eW Burst Powercore Product Guide at www.philipscolorkinetics.com/ls/essentialwhite/ewburstpc/

PHILIPS

Specifications

Due to continuous improvements and innovations, specifications may change without notice.

Item	Specification	Details
Output	Lumens†	991 (2700 K*) 1240 (4000 K*)
	Efficacy (lm / W)	33.8 (2700 K) 41.3 (4000 K)
	CRI	82.6 (2700 K) 80.6 (4000 K)
	Lumen Maintenance‡	90,000 hours L70 @ 25° C 45,000 hours L70 @ 50° C 120,000 hours L50 @ 25° C 70,000 hours L50 @ 50° C
Electrical	Input Voltage	100 – 277 VAC, auto-switching, 50 / 60 Hz
	Power Consumption	30 W maximum at full output, steady state
	Power Factor	.978 @ 120 VAC (2700 K) .975 @ 120 VAC (4000 K)
Control	Dimming	Compatible with selected commercially available reverse-phase ELV-type dimmers§
Physical	Dimensions (Height x Width x Depth)	10.8 x 8.0 x 6.8 in (274 x 204 x 175 mm) Architectural 10.7 x 6.4 x 6.8 in (271 x 163 x 175 mm) Landscape
	Weight	11 lb (5 kg) Architectural 7.4 lb (3.4 kg) Landscape
	Housing	Die-cast aluminium, powder-coated finish
	Lens	Tempered glass
	Fixture Connections	6 ft (1.8 m) unified power / data cable with flying leads Architectural 6 in (152 mm) flying leads Landscape
	Temperature Ranges	-40° – 122° F (-40° – 50° C) Operating -4° – 122° F (-20° – 50° C) Startup -40° – 176° F (-40° – 80° C) Storage
	Fixture Run Lengths	To calculate fixture run lengths and total power consumption for your specific installation, download the Configuration Calculator from www.philipscolorkinetics.com/support/install_tool/
	Vibration Resistance	ANSI C136.31 (Architectural only)
	Humidity	0 – 95%, non-condensing
	Certification and Safety	Certification
Environment		Dry / Damp / Wet Location, IP66

* Color temperatures conform to nominal CCTs as defined in ANSI Chromaticity Standard C78.377A.

† Lumen measurement complies with IES LM-79-08 testing procedures

‡ L70 = 70% lumen maintenance (when light output drops below 70% of initial output). L50 = 50% lumen maintenance (when light output drops below 50% of initial output). Ambient luminaire temperatures specified. Lumen maintenance calculations are based on lifetime prediction graphs supplied by LED source manufacturers. Calculations for white-light LED fixtures are based on measurements that comply with IES LM-80-08 testing procedures. Refer to www.philipscolorkinetics.com/support/appnotes/lm-80-08.pdf for more information.

§ Refer to www.philipscolorkinetics.com/support/appnotes/ for specific details

Fixtures and Accessories

Use Item Number when ordering in North America.

Item	Type	Housing Color ¹	Item Number	Philips 12NC
eW Burst Powercore Landscape (UL / cUL / CE)	2700 K	Gray	523-000036-00	910503700694
	4000 K	Gray	523-000036-01	910503700695
eW Burst Powercore Architectural (UL / cUL)	2700 K	Gray	523-000036-02	910503700744
	4000 K	Gray	523-000036-03	910503700743
eW Burst Powercore Architectural (CE)	2700 K	Gray	523-000036-04	910503701122
	4000 K	Gray	523-000036-05	910503701123
eW Burst Powercore Architectural (CQC)	2700 K	Gray	523-000036-06	910503701791
	4000 K	Gray	523-000036-07	910503701792
Trim Ring		Gray	120-000103-00	910503701212
45° Glare Shield		Gray	120-000103-01	910503701213
Full Height Glare Shield		Gray	120-000103-02	910503701214
Honeycomb Louver		Black	120-000104-00	910503701215
Spread Lenses	14°		120-000080-00	910503700609
	23°		120-000080-01	910503700610
	41°		120-000080-02	910503700611
	10° x 41° asymmetric		120-000080-03	910503700612

¹ Refer to How to Order Specification Sheet for additional housing colors.

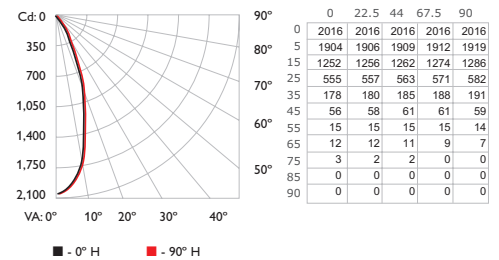


Philips Color Kinetics
3 Burlington Woods Drive
Burlington, Massachusetts 01803 USA
Tel 888.385.5742
Tel 617.423.9999
Fax 617.423.9998
www.philipscolorkinetics.com

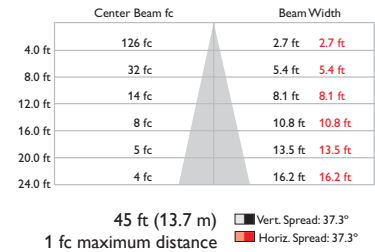
Photometrics

eW Burst Powercore
2700 K, 41° spread lens

Polar Candela Distribution



Illuminance at Distance

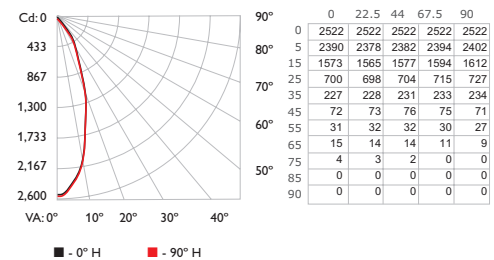


Lumens	991
Efficacy	33.8 lm / W

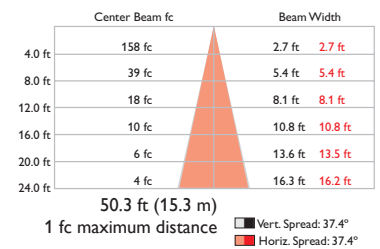
For lux multiply fc by 10.7

eW Burst Powercore
4000 K, 41° spread lens

Polar Candela Distribution



Illuminance at Distance



Lumens	1240
Efficacy	41.3 lm / W

For lux multiply fc by 10.7

Copyright © 2010 – 2012 Philips Solid-State Lighting Solutions, Inc. All rights reserved. Chromacore, Chromasic, CK, the CK logo, Color Kinetics, the Color Kinetics logo, ColorBlast, ColorBlaze, ColorBurst, ColorGraze, ColorPlay, ColorReach, iW Reach, eW Reach, eW Fuse, DIMand, EssentialWhite, eW, iColor, iColor Cove, IntelliWhite, iW, iPlayer, Optibin, and Powercore are either registered trademarks or trademarks of Philips Solid-State Lighting Solutions, Inc. in the United States and / or other countries. All other brand or product names are trademarks or registered trademarks of their respective owners. Due to continuous improvements and innovations, specifications may change without notice. DAS-000032-04 R04 07-12