



Date: _____ Type: _____

Firm Name: _____

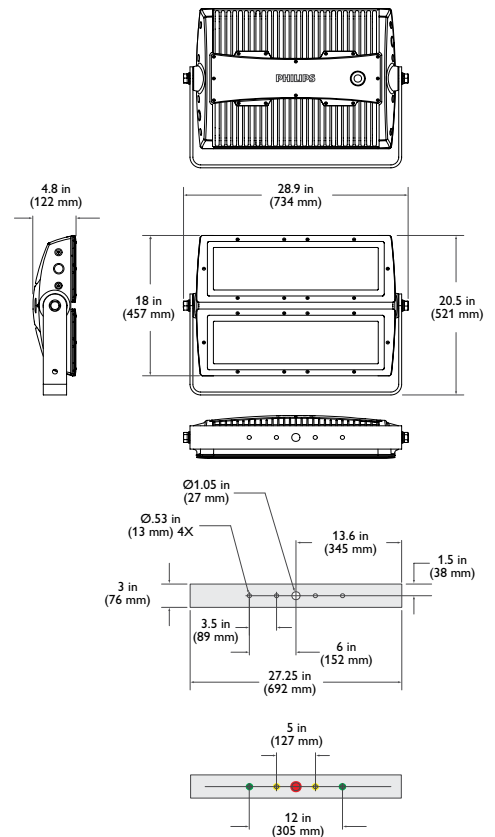
Project: _____

eColor Reach Powercore, CQC

Premium long-throw exterior LED floodlight with solid color light

eColor Reach Powercore (gen2) combines all the benefits of LED-based lighting and control in an elegant fixture specifically designed for large-scale installations, such as skyscrapers, casinos, bridges, piers, public monuments, and themed attractions. With significantly more lumen output than any other competitive fixture and unprecedented light projection, this powerful fixture represents the next generation in exterior illumination. Fixtures are available in solid red, green, blue, or amber light.

- Integrates Powercore technology — Powercore technology rapidly, efficiently, and accurately controls power output to fixtures directly from line voltage.
- Versatile optics — 5° native beam angle and exchangeable spread lenses of 8°, 13°, 23°, 40°, 63°, and an asymmetric 5° x 17° support a variety of photometric distributions for a multitude of applications, including spotlighting, wall grazing, and asymmetric wall washing. Bezel and gasket are included with spread lenses for easy user installation.
- Unique split design — Spread lenses fit over each half of the fixture to support diffuser combinations. For instance, you could use one spread lens on the fixture's lower half to bathe a large façade with light at street level, and a different spread lens to project light hundreds of feet up the building's walls.
- Dimming control via DMX — Dim fixtures smoothly and accurately from 0% to 100% with Philips Color Kinetics lighting controllers, including iPlayer 3, and third-party controllers.
- Simple fixture positioning — Rugged, slim-profile mounting bracket allows simple positioning and fixture rotation through a full 360°. Side locking bolts reliably secure fixture with a standard wrench.



- Universal power input range — eColor Reach Powercore gen2 accepts a universal power input range of 100 – 240 VAC, allowing consistent installation around the world.

For detailed product information, please refer to the eColor Reach Powercore gen2 Product Guide at www.philipscolorkinetics.com/ls/essentialcolor/eColorreach/

PHILIPS

Specifications

Due to continuous improvements and innovations, specifications may change without notice.

Item	Specification	Details
Output	Beam Angle	5° primary optic (no spread lens) 8° / 13° / 23° / 40° / 63° / 5° x 17° (asymmetric) spread lenses
Electrical	Input Voltage	100 – 240 VAC, auto-switching, 50 / 60 Hz
	Power Consumption	250 W maximum at full output, steady state
Control		On / Off; digital dimming by 4 connector cable & DE Pro
Physical	Dimensions (Height x Width x Depth)	20.5 x 28.9 x 4.8 in (521 x 734 x 122 mm)
	Weight	75 lb (34 kg)
	Effective Projected Area (EPA)	0.42 m ²
	Housing	Die-cast aluminium, powder-coated finish
	Lens	Tempered glass
	Fixture Connections	6 ft (1.8 m) unified power / data cable
	Temperature Ranges	-40° – 122° F (-40° – 50° C) Operating -4° – 122° F (-20° – 50° C) Startup -40° – 176° F (-40° – 80° C) Storage
	Humidity	0 – 95%, non-condensing
Certification and Safety	Certification	CQC, FCC Class A, CE, PSE
	Environment	Dry / Damp / Wet Location, IP66

* For help estimating the light output and distribution of eColor lighting fixtures, please contact Philips Color Kinetics Applications Engineering Services at support@colorkinetics.com.



Fixtures and Accessories

Item	Type	Item Number	Philips 12NC
eColor Reach Powercore gen2 Includes 6 ft (1.8 m) Leader Cable	Red	523-000044-59	912400130279
	Green	523-000044-61	912400130280
	Blue	523-000044-63	912400130281
	Amber	523-000044-65	912400130282
3 Conductor Replacement Leader Cable: 6 ft (1.8 m)	CQC / CE	108-000046-01	910503700622
4 Conductor Replacement Leader Cable (required to digitally dim unit, w/ DE Pro): 6 ft (1.8 m)	CQC / CE	108-000043-03	910503700454
Data Enabler Pro (required to digitally dim unit)	PG21 / PG13 (metric size conduit)	106-000004-01	910503701211
Spread Lens with bezel	8°	120-000068-05	910503700511
	13°	120-000068-00	910503700506
	23°	120-000068-01	910503700507
	40°	120-000068-02	910503700508
	63°	120-000068-03	910503700509
	Asymmetric (5° x 17°)	120-000068-04	910503700510

Use Item Number when ordering in North America.



Philips Color Kinetics
3 Burlington Woods Drive
Burlington, Massachusetts 01803 USA
Tel 888.385.5742
Tel 617.423.9999
Fax 617.423.9998
www.philipscolorkinetics.com
@ColorKinetics

Copyright © 2011 – 2014 Philips Solid-State Lighting Solutions, Inc. All rights reserved.
Chromacore, Chromasic, CK, the CK logo, Color Kinetics, the Color Kinetics logo, ColorBlast, ColorBlaze, ColorBurst, ColorGraze, ColorPlay, ColorReach, iW Reach, eW Reach, eW Fuse, DIMand, EssentialWhite, eV, iColor, iColor Cove, IntelliWhite, iW, iPlayer, Optibin, and Powercore are either registered trademarks or trademarks of Philips Solid-State Lighting Solutions, Inc. in the United States and / or other countries. All other brand or product names are trademarks or registered trademarks of their respective owners. Due to continuous improvements and innovations, specifications may change without notice.

DAS-000093-01 R04 09-14